



PODRĘCZNIK TECHNICZNY

# ROLETY EKRANOWE



## Spis treści– Rolety ekranowe


Oznaczenie wyrobu CE	3	<b>SCREEN ZIP</b>	<b>107</b>
		Podstawowa specyfikacja produktu	108
<b>SCREEN ALFA-ZIP</b>	<b>6</b>	Wymierzenie i montaż	113
Podstawowa specyfikacja produktu	7		
Obsługa korbka	10	<b>SCREEN ZIP ECONOMY</b>	<b>120</b>
Obsługa silnik	11	Podstawowa specyfikacja produktu	120
Wymierzenie i montaż	23	Wymierzenie i montaż	125
Zasilanie solarne	31		
		<b>SCREEN GW</b>	<b>128</b>
<b>SCREEN ALFA PLUS-ZIP</b>	<b>33</b>	Podstawowa specyfikacja produktu	128
Podstawowa specyfikacja produktu	34	Wymierzenie i montaż	132
Obsługa silnik	37		
Wymierzenie i montaż	45	<b>SCREEN LITE</b>	<b>139</b>
		Podstawowa specyfikacja produktu	139
<b>SCREEN HR7</b>	<b>55</b>	Wymierzenie i montaż	143
Podstawowa specyfikacja produktu	56		
Wymierzenie i montaż	66	<b>SCREEN ZIP, ZIP ECONOMY, GW, LITE</b>	<b>147</b>
SCREEN HR8-ZIP	70	Obsługa korbka	147
Podstawowa specyfikacja produktu	71	Obsługa silnik	149
<b>SCREEN HR7, HR8-ZIP</b>	<b>75</b>	<b>SCREEN SKY</b>	<b>150</b>
Obsługa korbka	75	Podstawowa specyfikacja produktu	151
Obsługa silnik	76	Wymierzenie i montaż	153
Montaż	88		
Zasilanie solarne HR8-ZIP	93		
<b>SCREEN HR10-ZIP</b>	<b>95</b>		
Podstawowa specyfikacja produktu	96		
Wymierzenie i montaż	102		

---

## ISOTRA *Quality*

Marka symbolizująca wieloletnie tradycje, niezliczone inwestycje do własnego rozwoju, stosowanie wysokiej jakości materiałów, zaawansowanie technologiczne, niezawodną pracę setek pracowników, i wiele innych parametrów, które tworzą jedną całość – finalny wyrób spółki ISOTRA.

## Oznaczenie wyrobu CE

**ISOTRA** 

## DECLARATION OF PERFORMANCE

No. 001/2013

Producer: **ISOTRA a.s., Bílovecká 2411/1, 746 01 Opava, IČ: 47679191**

Hereby declares that:

Type: **SCREEN – outside curtains (outside roller blind) with motor driving**

Model: **ZIP**

Has been designed and manufactured in conformity with Regulation (EU) No 305/2011 of the European Parliament and of the Council (CPR).

Product description and designed use:

Screen ZIP is a product of interior and exterior shading technique, which has vertically mounted tube with winding fabrics. Screen ZIP is operated with motor. Control may be to the left or right side of the roller. The engine upper and lower roller position is determined electronically within the engine.

SCREEN ZIP is unique screen system. Thanks to the special guidance of the fabric in the side rails SCREEN ZIP substantially increases resistance to wind shutters in the closed position partially replaces anti-insect screen.

The product is used for shading according to the type of fabric up to 100%, to protect against glare (the sun, streetlights, car), to adjust the intensity of light passing through from the exterior to protect privacy (before observing from the outside) and complete blackout.

The product is designed for installation into the jamb. The blind is mounted with the help of screws with anchors on the wall before opening the window or the window frame.

Evaluation system: 4

Product evaluation according system 4 was performed by:

Product evaluation was made by component supplier: RESTENDE S.r.l, Via Chiringella, 74 – 20864 Agrate Brianza (MB), Italy

Declared performance:


Essential characteristics	Performance	Harmonized standard
Wind resistance	3	EN 13561:2009

The performance of ZIP is in conformity with the performance declared in declared performance.


ZIP does not contain substances which are within the meaning of Article 33 of the European Parliament and Council Regulation (EC) No 1907/2006 (REACH) subject to the obligation to inform the customer.

This declaration has been issued under the sole responsibility of the manufacturer.

Opava: 01. 07. 2013

  
Ing. Bohumír Blachut  
General manager

ISOTRA a.s., Bílovecká 2411/1, 746 01 Opava  
tel.: +420 553 885 111, fax: +420 553 885 110

**ISOTRA** 

## DECLARATION OF PERFORMANCE

No. 002/2013

Producer: **ISOTRA a.s., Bílovecká 2411/1, 746 01 Opava, IČ: 47679191**

Hereby declares that:

Type: **SCREEN – outside curtains (outside roller blind) with motor driving**

Model: **GW**

Has been designed and manufactured in conformity with Regulation (EU) No 305/2011 of the European Parliament and of the Council (CPR).

Product description and designed use:

Screen GW is a product of interior and exterior shading technique, which has vertically mounted tube with winding fabrics. Screen GW is operated with motor or manually. Control may be to the left or right side of the roller. The engine upper and lower roller position is determined electronically within the engine.

SCREEN GW is a modern element of shading. The product is suitable for shading both interior and exterior and is suitable for both office buildings and houses. SCREEN GW is offered with a cover profile with the possibility to operate by the side cable or guide rail.

The product is used for shading according to the type of fabric up to 100%, to protect against glare (the sun, streetlights, car), to adjust the intensity of light passing through from the exterior to protect privacy (before observing from the outside) and for complete blackout.

The product is designed for installation into the jamb. The blind is mounted with the help of screws with anchors on the wall before opening the window or the window frame.

Evaluation system: 4

Product evaluation according system 4 was performed by:

Product evaluation was made by component supplier: RESTENDE S.r.l, Via Chiringella, 74 – 20864 Agrate Brianza (MB), Italy

Declared performance:


Essential characteristics	Performance	Harmonized standard
Wind resistance	3	EN 13561:2009

The performance of SCREEN GW is in conformity with the performance declared in declared performance.


SCREEN GW does not contain substances which are within the meaning of Article 33 of the European Parliament and Council Regulation (EC) No 1907/2006 (REACH) subject to the obligation to inform the customer.

This declaration has been issued under the sole responsibility of the manufacturer.

Opava: 01. 07. 2013

  
Ing. Bohumír Blachut  
General manager

ISOTRA a.s., Bílovecká 2411/1, 746 01 Opava  
tel.: +420 553 885 111, fax: +420 553 885 110

**ISOTRA** 

## DECLARATION OF PERFORMANCE

No. 003/2013

Producer: **ISOTRA a.s., Bílovecká 2411/1, 746 01 Opava, IČ: 47679191**

Hereby declares that:

Type: **SCREEN – outside curtains (outside roller blind) with motor driving**

Model: **LITE**

Has been designed and manufactured in conformity with Regulation (EU) No 305/2011 of the European Parliament and of the Council (CPR).

Product description and designed use:

Screen LITE is a product of interior and exterior shading technique, which has vertically mounted tube with winding fabrics. Screen LITE is operated with motor or manually. Control may be to the left or right side of the roller. The engine upper and lower roller position is determined electronically within the engine.

SCREEN LITE is a lightweight variant of SCREEN GW. SCREEN LITE is offered with a cover profile with the possibility to operate by the side cable or guide rail.

The product is used for shading according to the type of fabric up to 100%, to protect against glare (the sun, streetlights, car), to adjust the intensity of light passing through from the exterior to protect privacy (before observing from the outside) and for complete blackout.

The product is designed for installation into the jamb. The blind is mounted with help of screws with anchors on the wall before opening the window or the window frame.

Evaluation system: 4

Product evaluation according system 4 was performed by:

Product evaluation was made by component supplier: RESTENDE S.r.l, Via Chiringella, 74 – 20864 Agrate Brianza (MB), Italy

Declared performance:


Essential characteristics	Performance	Harmonized standard
Wind resistance	3	EN 13561:2009

The performance of SCREEN LITE is in conformity with the performance declared in declared performance.


SCREEN LITE does not contain substances which are within the meaning of Article 33 of the European Parliament and Council Regulation (EC) No 1907/2006 (REACH) subject to the obligation to inform the customer.

This declaration has been issued under the sole responsibility of the manufacturer.

Opava: 01. 07. 2013

  
Ing. Bohumír Blachut  
General manager

ISOTRA a.s., Bílovecká 2411/1, 746 01 Opava  
tel.: +420 553 885 111, fax: +420 553 885 110

**ISOTRA** 

## DECLARATION OF PERFORMANCE

No. 035/2013

Producer: **ISOTRA a.s., Bílovecká 2411/1, 746 01 Opava, IČ: 47679191**

Hereby declares that:

Type: **SCREEN – outside curtains (outside roller blind) with motor driving**

Model: **ZIP ECONOMY**

Has been designed and manufactured in conformity with Regulation (EU) No 305/2011 of the European Parliament and of the Council (CPR).

Product description and designed use:

Screen ZIP ECONOMY is a product of interior and exterior shading technique, which has vertically mounted tube with winding fabrics. Launch and recovery controls the motor. Control may be to the left or right side of the roller. The engine upper and lower roller position is determined electronically within the engine.

SCREEN ZIP ECONOMY is unique screen system. Thanks to the special guidance of the fabric in the side rails SCREEN ZIP ECONOMY substantially increases resistance to wind shutters in the closed position partially replaces anti-insect screen.

The product is used for shading according to the type of fabric up to 100%, to protect against glare (the sun, streetlights, car), to adjust the intensity of light passing through from the exterior to protect privacy (before observing from the outside) and complete blackout.

The blind is mounted screws with anchors on the wall before opening the window or the window frame only with the front mounting of the guide rail.

Evaluation system: 4

Product evaluation according system 4 was performed by:

Product evaluation made by: CSL, a.s. Praha, pracoviště Zlín, K Cibulné 304, 764 32 Zlín – Louky a vydal hodnocení HSZ-13-014/OV.

Declared performance:


Essential characteristics	Performance	Harmonized standard
Wind resistance	3	EN 13561:2009

The performance of ZIP ECONOMY is in conformity with the performance declared in declared performance.

ZIP ECONOMY does not contain substances which are within the meaning of Article 33 of the European Parliament and Council Regulation (EC) No 1907/2006 (REACH) subject to the obligation to inform the customer.

This declaration has been issued under the sole responsibility of the manufacturer.

Opava: 01. 09. 2014

  
Ing. Bohumír Blachut  
General Manager

ISOTRA a.s., Bílovecká 2411/1, 746 01 Opava  
tel.: +420 553 885 111, fax: +420 553 885 110




## DECLARATION OF PERFORMANCE

No. 030/2017

Producer: **ISOTRA a.s., Bilovecká 2411/1, 746 01 Opava, IČ: 47679191**

Hereby declares that:

Type: **SCREEN – outside curtains (outside roller blind) with motor driving**

Model: **HR7**

Has been designed and manufactured in conformity with Regulation (EU) No 305/2011 of the European Parliament and of the Council (CPR).

Product description and designed use:  
**The product is used for shading according to the type of fabric up to 100%.**

Evaluation system: 4  
 Harmonized standard:  
**EN 13561:2015**

Declared performance:

Essential characteristics	Performance
Wind resistance	Class 2
Thermal transmittance value $g_{gl}$	0,03 - 0,6 (according to selected fabric)*

\*valid for glazing with parameters  $g = 0,59$  and  $U_g = 1,2$  W/m<sup>2</sup>K  
 The performance of HR7 is in conformity with the performance declared in declared performance.  
 This declaration has been issued under the sole responsibility of the manufacturer ISOTRA a.s., Bilovecká 2411/1, 746 01 Opava.

Opava, 01. 02. 2017





ISOTRA a.s., Bilovecká 2411/1, 746 01 Opava - www.isotra.cz  
 Tel: +420 553 605 102 - 6 476 79 191

Ing. Petr Sedláček  
Quality manager

ISOTRA a.s., Bilovecká 2411/1, 746 01 Opava, IČ: 47679191  
 W: +420 553 605 111, fax: +420 553 605 110

zpracováno v elektronickém systému Certifikace výrobků, verze 2.0 (02)  
 © ISOTRA s.r.o. 2017

## DECLARATION OF PERFORMANCE

No. 031/2017

Producer: **ISOTRA a.s., Bilovecká 2411/1, 746 01 Opava, IČ: 47679191**

Hereby declares that:

Type: **SCREEN – outside curtains (outside roller blind) with motor driving**

Model: **HRS-ZIP**

Has been designed and manufactured in conformity with Regulation (EU) No 305/2011 of the European Parliament and of the Council (CPR).

Product description and designed use:  
**The product is used for shading according to the type of fabric up to 100%.**


Evaluation system: 4  
 Harmonized standard:  
**EN 13561:2015**

Declared performance:

Essential characteristics	Performance
Wind resistance	Class 3
Thermal transmittance value $g_{gl}$	0,03 - 0,6 (according to selected fabric)*

\*valid for glazing with parameters  $g = 0,59$  and  $U_g = 1,2$  W/m<sup>2</sup>K  
 The performance of HRS-ZIP is in conformity with the performance declared in declared performance.  
 This declaration has been issued under the sole responsibility of the manufacturer ISOTRA a.s., Bilovecká 2411/1, 746 01 Opava.

Opava, 01. 02. 2017




ISOTRA a.s., Bilovecká 2411/1, 746 01 Opava - www.isotra.cz  
 Tel: +420 553 605 102 - 6 476 79 191

Ing. Petr Sedláček  
Quality manager

ISOTRA a.s., Bilovecká 2411/1, 746 01 Opava, IČ: 47679191  
 W: +420 553 605 111, fax: +420 553 605 110

zpracováno v elektronickém systému Certifikace výrobků, verze 2.0 (02)  
 © ISOTRA s.r.o. 2017




## DECLARATION OF PERFORMANCE

č. 050/2020

Producer: **ISOTRA a.s., Bilovecká 2411/1, 746 01 Opava, IČ: 47679191**

Hereby declares that:

Type: **SCREEN – outside curtains (outside roller blind) with motor driving**

Model: **SCREEN ALFA-ZIP**

Has been designed and manufactured in conformity with Regulation (EU) No 305/2011 of the European Parliament and of the Council (CPR).

Product description and designed use:  
**The product is used for shading according to the type of fabric up to 100%.**

Evaluation system: 4  
 Harmonized standard:  
**EN 13561:2015**

Declared performance:

Essential characteristics	Performance
Wind resistance	Class 6
Thermal transmittance value $g_{gl}$	0,03 - 0,6 (according to selected fabric)*

\*valid for glazing with parameters  $g = 0,59$  and  $U_g = 1,2$  W/m<sup>2</sup>K  
 The performance of SCREEN ALFA-ZIP is in conformity with the performance declared in declared performance.  
 This declaration has been issued under the sole responsibility of the manufacturer ISOTRA a.s., Bilovecká 2411/1, 746 01 Opava.

Opava, 1. 07. 2020





ISOTRA a.s., Bilovecká 2411/1, 746 01 Opava - www.isotra.cz  
 Tel: +420 553 605 102 - 6 476 79 191

Ing. Petr Sedláček  
Quality manager

ISOTRA a.s., Bilovecká 2411/1, 746 01 Opava, IČ: 47679191  
 W: +420 553 605 111, fax: +420 553 605 110

zpracováno v elektronickém systému Certifikace výrobků, verze 2.0 (02)  
 © ISOTRA s.r.o. 2017

## Declaration of Performance

No. 051/2020

Manufacturer: **ISOTRA a. s., Bilovecká 2411/1, CZ-74601 Opava, CZ, ID No.: 47679191**

hereby declares that

type: **SCREEN**

product: **SCREEN ALFA PLUS-ZIP**

was designed and manufactured in accordance with Regulation (EU) No. 305/2011 of the European Parliament and of the Council (CPR).

Intended use:  
**External sun screen.**

System of assessment and verification of constancy of performance:  
**System 4**

Harmonised standard:  
**EN 13659:2015**

Characteristics declared:

Basic characteristics	Characteristic
Wind resistance	Class 6
Total solar transmittance factor $g_{gl}$	0,03-0,6 (depends on the fabric selected)*

\*Applies to glazing with the following parameters:  $g = 0,59$ ,  $U_g = 1,2$  W/m<sup>2</sup>K  
 The properties of the products SCREEN ALFA PLUS-ZIP conform to the properties specified in the above table Characteristics declared.  
 This Declaration of Performance has been issued under the sole responsibility of ISOTRA a. s., Bilovecká 2411/1, CZ-74601 Opava, Czech Republic.

Opava, 01.04.2021

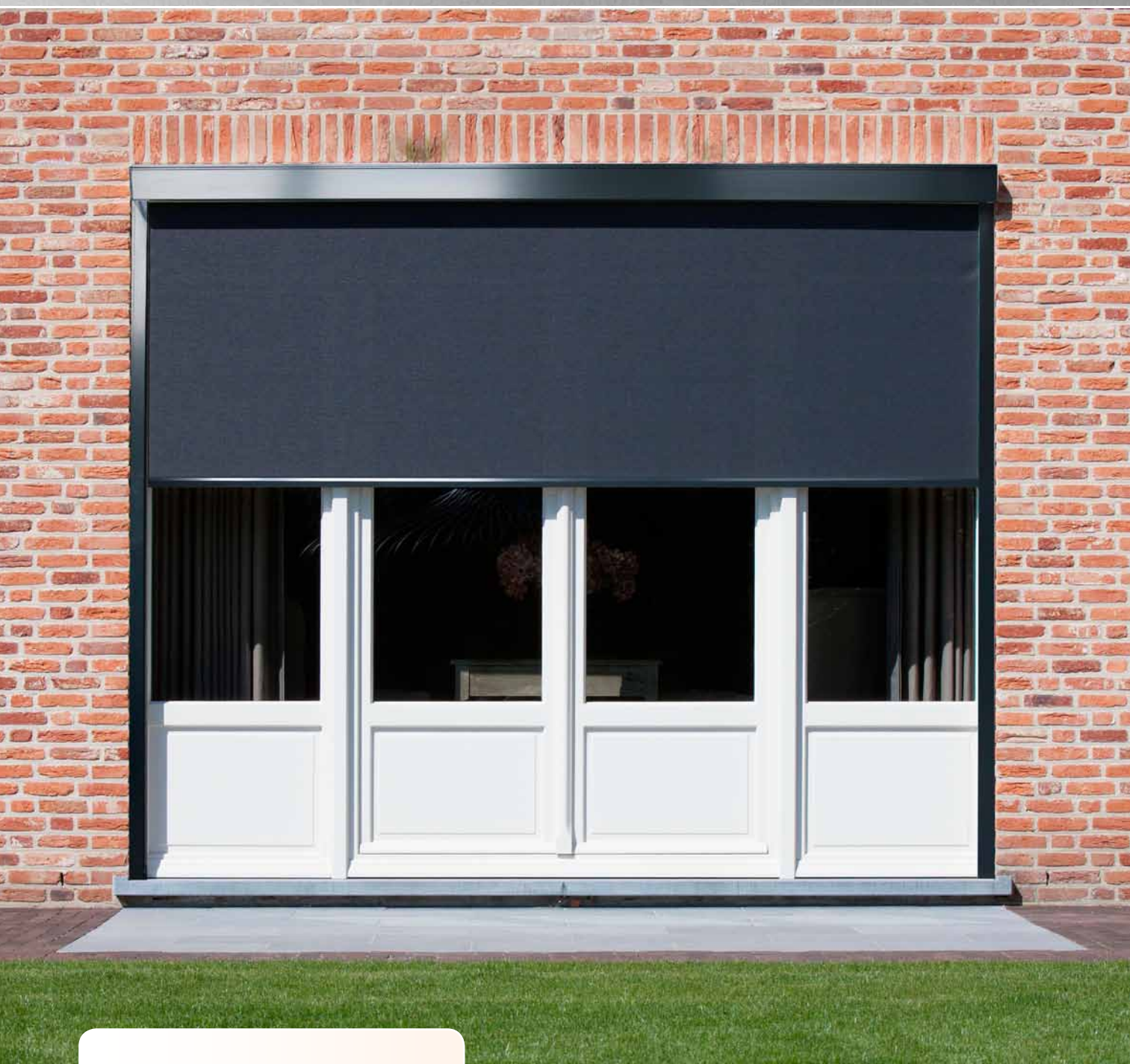
Ing. Petr Sedláček  
Quality Manager

ISOTRA a.s., Bilovecká 2411/1, 746 01 Opava, IČ: 47679191  
 W: +420 553 605 111, fax: +420 553 605 110

zpracováno v elektronickém systému Certifikace výrobků, verze 2.0 (02)  
 © ISOTRA s.r.o. 2017



## SCREEN ALFA-ZIP

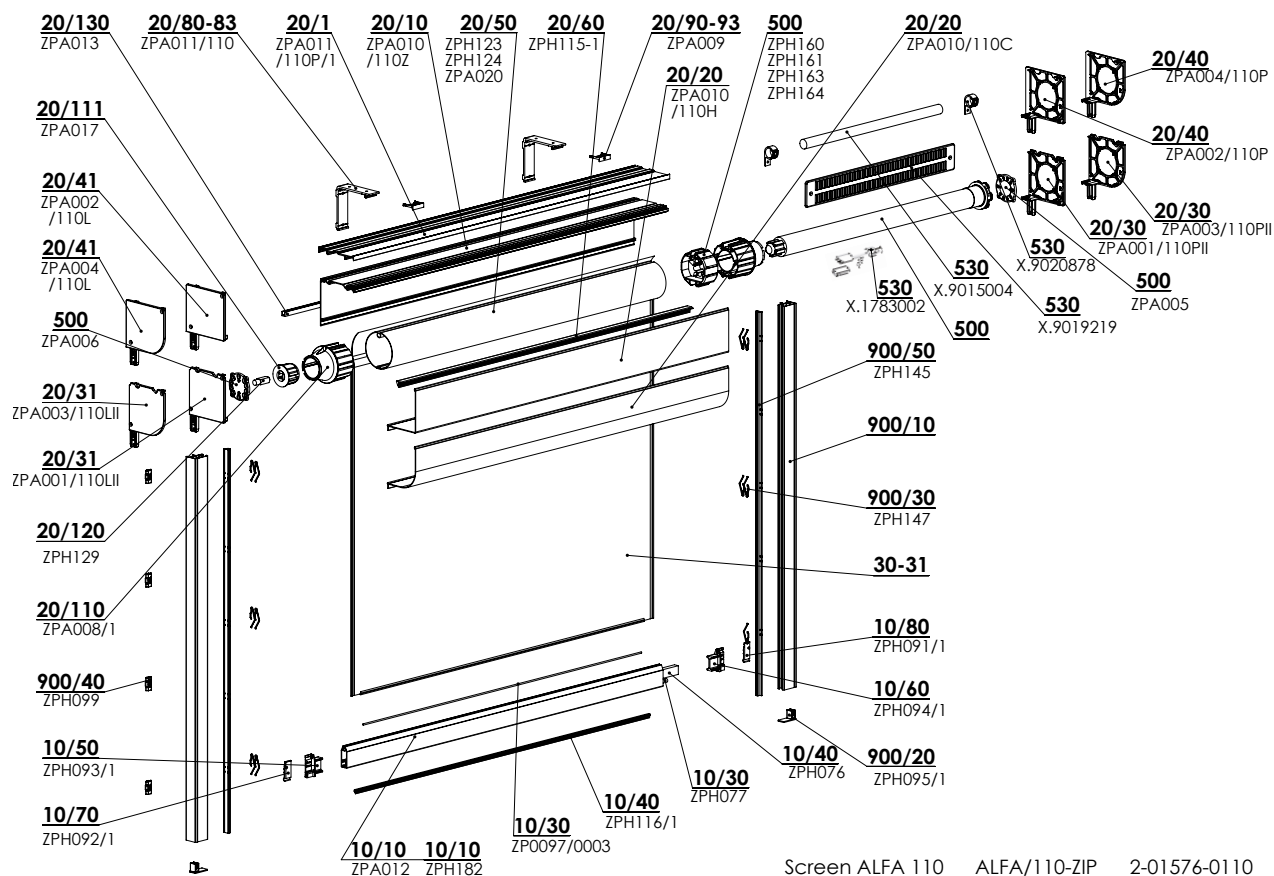


- ▲ 3 typy nowoczesnych kaset: z ostrymi rogami do surowej architektury, lub zaokrąglona do bardziej tradycyjnych budynków, oba typy dostępne w 2 wielkościach,
- ▲ wyważona dolna listwa do prowadzenia i napięcia tkaniny
- ▲ Klasa odporności na wiatr 6
- ▲ Prosty i szybki montaż
- ▲ Gwarantowana powierzchnia do 18 m<sup>2</sup>.
- ▲ Możliwość sprzężenia do 3 rolet
- ▲ Możliwość zasilania solarnego

**ISOTRA** *Quality*

## SCREEN ALFA-ZIP

### Podstawowa specyfikacja produktu



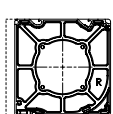
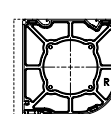
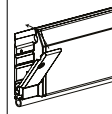
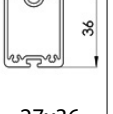
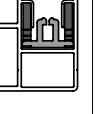
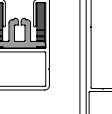
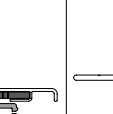
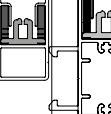
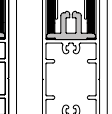
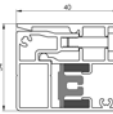

### Obsługa

Służy do spuszczenia i podnoszenia rolety ekranowej. Do dyspozycji są dwa sposoby obsługi:

**Silnik** - standardowy asynchroniczny silnik rurowy Maestria Wt, lub opcjonalny asynchroniczny silnik rurowy Maestria iO, Sunea Screen IO, Geiger, Altus RTS (min. szerokość rolety 795), zasilanie solarne z silnikiem (min. szerokość rolety 595).

**Korbka** - mechanizm ze ślimakiem samohamującym i kołem ślimakowym, przełożenie 1:4, wbudowany ogranicznik końcowy (zapobiega nieprawidłowemu nawijaniu materiału).

### Specyfikacja (dla silnika)

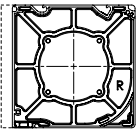
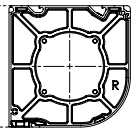
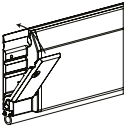
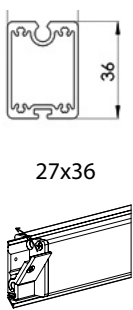
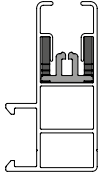
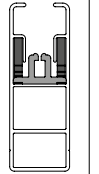
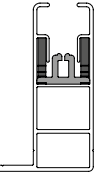
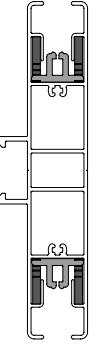
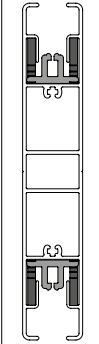
	Kaseta		Dolny profil duży	Dolny profil duży	Boczne prowadzenie						
	prostokątna	ćwiercokrągła			listwa prowadząca						
<b>Nazwa handlowa</b>	BOX pro SCREEN ALFA		ZPA012	ZPH182	ZPA016 /839	ZPA016 /830	ZPH214 /837	ZPA016 /838	ZPH071	ZPH072	ZPA016/840
<b>Wymiar (mm)</b>	90x90 110x110 150 x 150	90x90 110x110 150 x 150	18x50*	27x36**	30x40	20x40	40x70	40x40	30x80	20x80	34x40
<b>Materiał</b>	Al	Al	Al	Al	Al	Al	Al	Al	Al	Al	Al
											
			18x50	27x36	typ 839	typ 830	typ 837	typ 838	typ 865	typ 866	typ 840
<b>Kolor</b>	Standardowe: RAL 9006 jasno srebrny RAL 9006S jasno srebrna struktura RAL 9007 ciemno srebrny RAL 9007S ciemno srebrna struktura RAL 9010 biały RAL 9010M biały matowy				RAL 7021 czarno szary RAL 7016 antracytowo szary RAL 7016M antracytowo szary matowy RAL 7016S antracytowo szara struktura RAL 8014 brązowy				RAL 8014M brązowy matowy RAL 7012 bazaltowy szary DB 702 Perłowo jasny szary DB 703 Perłowo ciemny szary  pozostałe kolory RAL na życzenie*		

\* dla kasety 90x90,110x110,150x150

\*\* dla kasety 110x110,150x150 (dla korbki, dla silnika)

\*\*\* dla kasety 110x110,150x150 (dla korbki, dla silnika)

## Specyfikacja (dla korbki)

Nazwa handlowa	Kaseta		Dolny profil	Dolny profil	Boczne prowadzenie				
	prostokątna	ćwierćokrągła	duży	duży	listwa prowadząca				
	<b>BOX pro SCREEN ALFA</b>		ZPA012	ZPH182	ZPH152	ZPH153	ZPH154	ZPH156	ZPH155
Wymiar (mm)	90x90 110x110 150 x 150	90x90 110x110 150 x 150	18x50**	27x36***	30x55	20x55	40x55	30x110	20x110
Materiał	Al	Al	Al	Al	Al	Al	Al	Al	Al
									
Kolor	Standardowe: RAL 9006 jasno srebrny RAL 9006S jasno srebrna struktura RAL 9007 ciemno srebrny RAL 9007S ciemno srebrna struktura RAL 9010 biały		RAL 9010M biały matowy RAL 7016 antracytowo szary RAL 7016M antracytowo szary matowy RAL 7016S antracytowo szara struktura RAL 8014 brązowy RAL 8014M brązowy matowy		RAL 7012 bazaltowy szary RAL 7021 czarno szary DB 702 Perłowo jasny szary DB 703 Perłowo ciemny szary pozostałe kolory RAL na życzenie*				

\*oprócz części plastikowych

\*\* Tylko dla Kaseta 90x90,110x110,150x150

\*\*\* dla kasety 110x110,150x150 (dla korbki, dla silnik)

### Materiały typu Blackout:

Nieprzepuszczalna warstwa przy każdym typie montażu jest umieszczona na stronie okna. W przypadku montażu na zewnątrz silny wiatr może spowodować nieznaczne podnoszenie dolnej listwy i materiału, dlatego nie zawsze można gwarantować 100 % zaciemnienie. W przypadku materiałów Blackout zipy są umocowane na stronie licowej, nie na warstwie przezroczystej, dlatego jest możliwe, że przy silnym wietrze lub patrząc z boku na listwę prowadzącą będzie widać kawałek materiału z taśmą zipu, ale ma to małe znaczenie w porównaniu z widokiem lub szczelnością materiału (ograniczenie fałdowania).

### Normalne zjawiska związane z tkaninami technicznymi

W okolicy zgrzewu lub pośrodku tkaniny może dojść do sfałdowania materiału, tzw. efektu choinkowego. To zjawisko jest normalne, ponieważ podczas używania na materiał działają różne siły. Następnym zjawiskiem mogą być widoczne odciski od walca na materiale. Znikną one przy wyższej temperaturze, kiedy materiał wyrówna się.

### Normalne zjawiska dla samonośnej rolety ekranowej Alfa-ZIP

W samonośnej wersji rolety nie używa się profilu montażowego ani uchwytu „ściana-strop”, zatem jest naturalne nieznaczne ugięcie kasety na szerokości rolety. To ugięcie wytwarza optyczną szczelinę między górną krawędzią kasety i sufitem, gdzie jest zamontowana samonośna roleta ekranowa.

### Standardowe wymiary dla kasety 90

Obsługa	Szerokość (mm)		Wysokość (mm)		Gwarantowana powierzchnia (m <sup>2</sup> )
	min.	maks.	min.	maks.	maks.
Korbka	400	3200**	400	2500*	8
Silnik RTS,iO,WT	795	3200**	400	2500*	8
system solarny***	595	2500	400	3000	8

\* Maks. wysokość z materiałem STNZ, STNBZ, SCR4005, SLTZB92 i SERGE 3Z wynosi tylko 1800 mm

\*\* Dla samonośnej rolety ekranowej Alfa-ZIP maksymalna szerokość wynosi 1500 mm.

\*\*\* Tylko prostokątna kaseta

### Standardni Wymiary pro Kaseta 110

Obsługa	Szerokość (mm)		Wysokość (mm)		Gwarantowana powierzchnia (m <sup>2</sup> )
	min.	maks.	min.	maks.	maks.
Korbka	400	3900**	400	3500*, **	8
Silnik RTS,iO,WT	795	4200**	400	3500*, **	15
system solarny***	595	3200	400	3500	8

\* Maks. wysokość z materiałem STNZ, STNBZ, SCR4005, SLTZB92 i SERGE 3Z wynosi tylko 2600 mm

\*\* Dla samonośnej rolety ekranowej Alfa-ZIP maksymalna szerokość wynosi 3500 mm a maksymalna wysokość 3000 mm.

\*\*\* Tylko prostokątna kaseta



## Standardowe wymiary dla kasety 150

Obsługa	Szerokość (mm)		Wysokość (mm)		Gwarantowana powierzchnia (m <sup>2</sup> )
	min.	maks.	min.	maks.	
Korbka	400	3000	400	5000*	12
Silnik RTS, iO, WT	795	6000	400	5000*	18
system solarny***	595	3500	400	3500	8

UWAGA: Nie można użyć do samonośnej rolety ekranowej Alfa150.

\* Maks. wysokość z materiałem STNZ, STNBZ, SCR4005, SLTZB92 i SERGE 3Z wynosi tylko 4500 mm

\*\*\* kasetka tylko prostokątna

## SCREEN ALFA-ZIP (2-01576-0110)

pozycja	nazwa pozycji	nazwa handlowa	numer rysunku
10	Profile DZIELONE - SCREEN ALFA - ZIP		patrz Profile DZIELONE - SCREEN ALFA - ZIP
20	KASETA do SCREEN ALFA 110 - ĆWIERCOKRĄGŁA		dla KASET do SCREEN ALFA - 110
20	KASETA do SCREEN ALFA 110 - PROSTOKĄTNA		Patrz KASETY do SCREEN ALFA - 110
30-31	Materiał DZIELONY (m2) do SCREEN		patrz wzornik SCREEN
500	Silniki (SOMFY, GEIGER, BECKER) SCREEN SC700/800		patrz Silniki SCREEN Alfa
530	Standardowe wyposażenie (Solar Screen)		patrz Standardowe wyposażenie (Solar Screen)
900-910	Prowadzenie - listwa ALFA - LEWA/PRAWA		patrz Prowadzenie - listwa ALFA - LEWA/PRAWA

## Profil DZIELONE - SCREEN ALFA - ZIP (3-03571-PU11)

pozycja	nazwa pozycji	Nazwa handlowa	numer rysunku
10/10	Profil dolny Alfa	ZPA012	7-303495-0000
10/10	Profil dolny SC1000	ZPH182	6-015158-0000
10/30	Pręt plastikowy 3,0mm OVC	ZP0097/0003	6-016911-0003
10/30	Profil obciążnika listwy dolnej śr. 8mm - Fe/Zn	ZPH077	6-013966-0000
10/40	Uszczelnienie dolnej listwy ALFA	ZPH116/1	7-303664-0000
10/40	Profil obciążnika dolnej listwy 20x12mm - Fe/Zn	ZPH076	6-013971-0000
10/50	Końcówka dolnej listwy - LEWA CZARNA	ZPH093/1	3-03657-9004
10/60	Końcówka dolnej listwy - PRAWA CZARNA	ZPH094/1	3-03656-9004
10/70	Bezpiecznik końcówki dolnej listwy - LEWA CZARNA	ZPH092/1	3-03659-9004
10/80	Bezpiecznik końcówki dolnej listwy - PRAWY CZARNY	ZPH091/1	3-03658-9004

## KASETA do SCREEN ALFA-ZIP - 110 (2-01578-PU11 prostokątna / 2-01579-PU11 ćwierćokrągła)

pozycja	nazwa pozycji	Nazwa handlowa	numer rysunku
20/1	Profil Uchwyt Alfa 110 Pergola	ZPA011/110P/1	7-303888-0000
20/10	Profil Kasetka Alfa 110 tylna	ZPA010/110Z	7-303491-0000
20/20	Profil Kasetka Alfa 110 Przednia ćwierćokrągła	ZPA010/110C	7-303480-0000
20/20	Profil Kasetka Alfa 110 Przenia prostokątna	ZPA010/110H	7-303479-0000
20/30	Ściana boczna 110 Alfa H1-1 P N	ZPA001/110P/3	3-04130-0000
20/30	Ściana boczna 110 Alfa H1-1 L N	ZPA001/110L/3	3-04131-0000
20/31	Ściana boczna 110 Alfa K1-1 P N	ZPA003/110P/3	3-04132-0000
20/31	Ściana boczna 110 Alfa K1-1 L N	ZPA003/110L/3	3-04133-0000
20/40	Ściana boczna 110 Alfa H1 L N	ZPA001/110L/1	7-304064-0000
20/40	Ściana boczna 110 Alfa H2 P N	ZPA002/110P/1	7-304065-0000
20/41	Ściana boczna 110 Alfa H2 L N	ZPA002/110L/1	7-304066-0000
20/41	Ściana boczna 110 Alfa K2 P N	ZPA004/110P/1	7-304069-0000
20/41	Ściana boczna 110 Alfa K2 L N	ZPA004/110L/1	7-304070-0000
20/50	Walek nawijania SC700/800 Al śr. 55mm- 6m	ZPH123	6-014027-0000
20/50	Walek nawijania SC700/800 Al śr. 67mm- 6m	ZPH124	6-013982-0000
20/50	Walek nawijania śr. 85x1, 20mm - 6 m	ZPA 020	6-016860-0000
20/60	Profil do naprowadzania materiału ALFA	ZPH115-1	7-303663-0000
20/80-83	Uchwyt Alfa 110 Ściana-strop	ZPA011/110	3-03496-0000
20/90-93	Bezpiecznik ściana-strop	ZPA009	3-03483-0000
20/110	Końcówka wałka śr. 85mm - przelotowa	ZPA008/1	3-04003-9004
20/111	Wkładka końcówki wału - śr.50mm	ZPA017	3-03486-9004
20/120	Kołek kołpaka wału - 12mm Fe/Zn	ZPH129	6-013985-0000
20/130	Cienkościenny profil Al -U. 10x10x1,5	ZPA013	6-011349-0000

## Solar dla SCREEN (2-01575-0000)

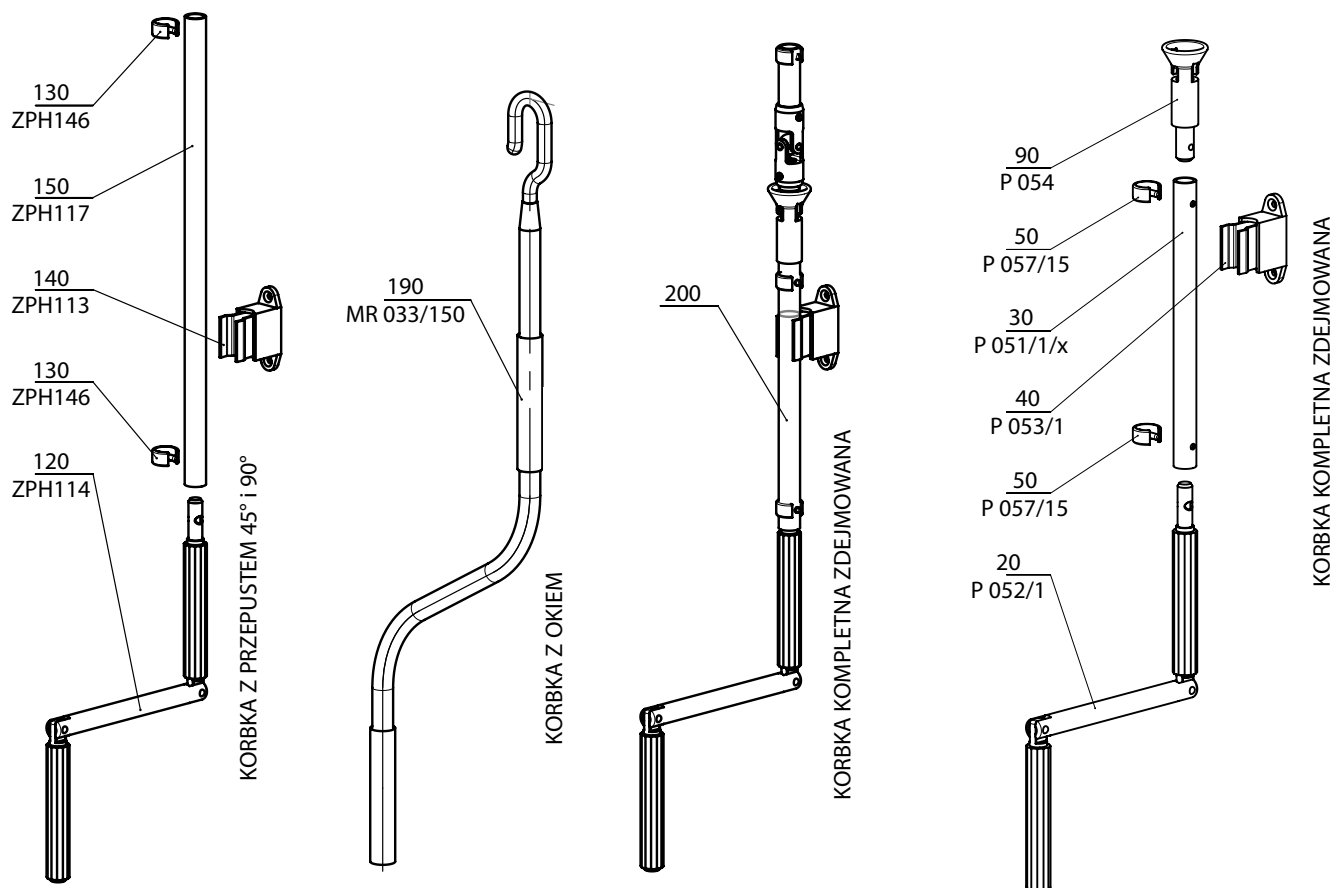
pozycja	nazwa pozycji	Nazwa handlowa	numer rysunku
530	Kabel adaptera OXIMO WIREFREE WIRING HARNESS	X.1783002	6-016472-0000
530	Akumulator Oximo WireFree	X.9015004	6-016469-0000
530	Panel solarny Oximo 40 WF	X.9019219	6-016467-0000
530	Uchwyt akumulatora Oximo WF - PARA	X.9020878	6-016476-0000
530	SOLAR KIT „SUNEA 40 io” 6/18	X.1241890	6-018887-0006
530	SOLAR KIT „SUNEA 40 io” 10/12	X.1241891	6-018887-0010
530	SOLAR KIT „SUNEA 40” 6/18 RTS DC	X.1241478	6-017545-0006
530	SOLAR KIT „SUNEA 40” 10/12 RTS DC	X.1241479	6-017545-0010

## Prowadzenie - listwa - lewe/prawe (2-01580-PU11L/2-01580-PU11P)

pozycja	nazwa pozycji	Nazwa handlowa	numer rysunku
900/20	Końcówka VL	ZPH095/1	3-03667-0000
900/30	Sprężyna VL ZIP SC800	ZPH147	6-013992-0000
900/40	Clip VL ZIP SC800	ZPH099	6-013993-0000
900/50	Profil prowadzący SC800 do zipu v3	ZPH145	6-014155-0000

## SCREEN ALFA-ZIP

## Obsługa Korbka



KLI

2-01372-XXXX-0

2-01436-XXXX-A

## Obsługa ręczna - SCREEN ALFA-ZIP (2-01372-XXXX\_0)

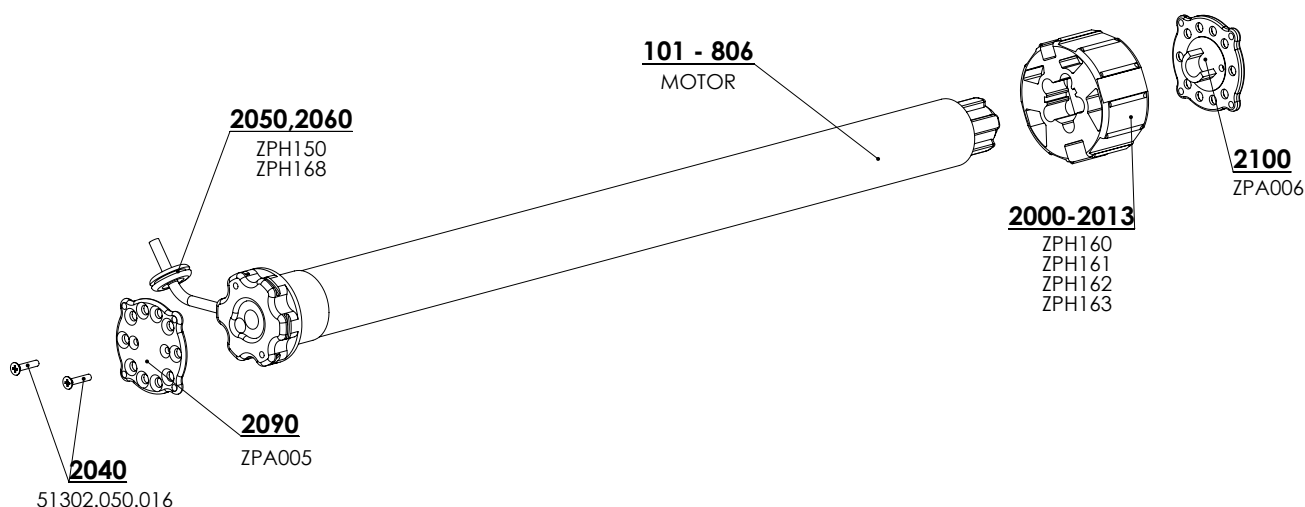
pozycja	nazwa pozycji	Nazwa handlowa	numer rysunku
120	Korbka łamana	ZPH114	6-014323-0000
130	Pierścień zabezpieczający z czopem	ZPH146	6-014451-0000
140	Uchwyt korbki	ZPH113	6-014319-0000
150	Rura korbki PVC – średnica 12 mm	ZPH117	6-014324-0000
190	Korbka markizy 1500 mm	MR 033/150	6-011095-1500
200	Korbka kompletna zdejmowana do SCREEN		2-01436-0000

## Korbka kompletna zdejmowana dla SCREEN ALFA-ZIP (2-01436-XXXX\_0)

pozycja	nazwa pozycji	Nazwa handlowa	numer rysunku
20	Korbka łamana Al – średnica 12 mm szara	P 052/1	6-006682-0000
30	Rura korbki Al – średnica 15 mm anodowana	P 051/1/X	7-301797-PU52
40	Uchwyt korbki – uniwersalny szary	P 053/1	6-006683-7045
50	Pierścień zabezpieczający z czopem 15 mm szary	P 057/15	6-006467-7035
90	Lejek korbki kwadrat	P 054	6-001190-0000

## SCREEN ALFA-ZIP

## Obsługa Silnik



## Silniki (SOMFY) Screen ALFA90/ALFA-ZIP (2-00530-0002)

pozycja	nazwa pozycji	Nazwa handlowa	numer rysunku
101-103	Silnik ALTUS 50 RTS	MR 091/06	6-011170-xxxx
201-203	Silnik Sunea 50 Screen io	ZP0084	6-012559-xxxx
301-303	Silnik MAESTRIA +50 IO	ZP0084/1	6-012538-xxxx
401-403	Maestria +50 WT	ZP0093/06	6-015258-0617
2040	Wkręt 4,8x19 DIN 7982, łeb wpuszcz. krzyżowy	51302.050.016	6-013928-0000
2050	Przepust kabla GUMOWY śr.7	ZPH150	6-014339-0000
2060	Zacisk kablowy 300x4,8 - CZARNY	ZPH168	6-014438-0000
2090	Płyta łożyska płaska	ZPA005	3-03484-9004
2100	Płyta łożyska z klipem	ZPA006	3-03485-9004
2110	Zabierak DS 85 Imbac	ZPA014	6-015621-0000

## Silniki (Geiger) Screen ALFA-ZIP (2-00530-0002)

pozycja	nazwa pozycji	Nazwa handlowa	numer rysunku
10	Silnik Geiger Solid Line Zip AIR 6/16	PR0790/06	6-015903-0006
11	Silnik Geiger Solid Line Zip AIR 10/16	PR0790/10	6-015903-0010
12	Silnik Geiger Solid Line Zip AIR 20/16	PR0790/20	6-015903-0020
70	Zabierak SOLID line AIR - śr. 95	ZPA015/95	6-015904-0095
70	Zabierak SOLID line AIR - śr. 78	ZPA015/78	6-015904-0078
70	Zabierak SOLID line AIR - śr. 85	ZPA015/85	6-015904-0085
200	Przepust kabla GUMOWY śr.7	ZPH150	6-014339-0000
320	Wkręt 4,8x19 DIN 7982 C-H A2 łeb wpuszcz. krzyż.		6-013928-0000
330	Zacisk kablowy 300x4,8 - CZARNY	ZPH168	6-014438-0000
340	Wkręt 3,5x19 DIN 7982 C-H A2 łeb wpuszcz. krzyż.		6-014439-0000
350	Śruba M6x10 DIN 965-H, A2, wpuszczona-krzyż.		6-014497-0000
400	Płyta łożyska płaska	ZPA005	3-03484-9004
410	Płyta łożyska z klipem	ZPA006	3-03485-9004

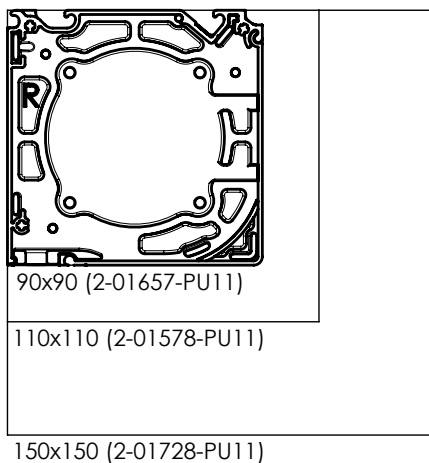
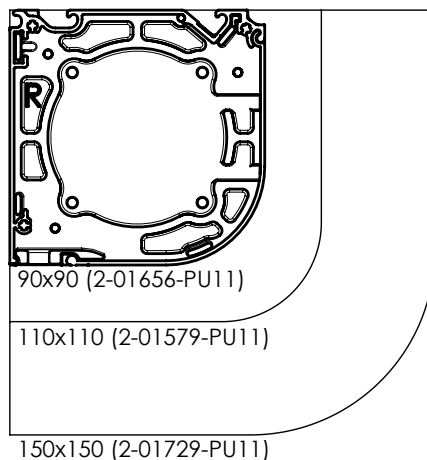
## Silniki (Becker) Screen ALFA-ZIP (6-015258 / 6-012538 / 6-002624 / 6-014483)

pozycja	nazwa pozycji	Nazwa handlowa	numer rysunku
500	Silnik BECKER 50 E 08/17	X.2010/1301590	6-017861-0008
500	Silnik BECKER 50 E 12/17	X.2010/1301600	6-017861-0012
500	Silnik BECKER 50 E 20/17	X.2010/1301450	6-017861-0020
500	Silnik BECKER 50 Screen C 08/17 PLUS	X.2010/1302170	6-018761-0008
500	Silnik BECKER 50 Screen C 12/17 PLUS	X.2010/1302180	6-018761-0012
500	Silnik BECKER 50 Screen C 20/17 PLUS	X.2020/1301860	6-018761-0020
500	Silnik BECKER 50 Screen C 30/17 PLUS	X.2020/1301890	6-018761-0030
500	Silnik BECKER 50 Screen C 40/17 PLUS	X.2020/1301920	6-018761-0040

\*Uwaga: E=mechaniczny (wyłącznik) / C=radiowy (pilot)

**SCREEN ALFA-ZIP**

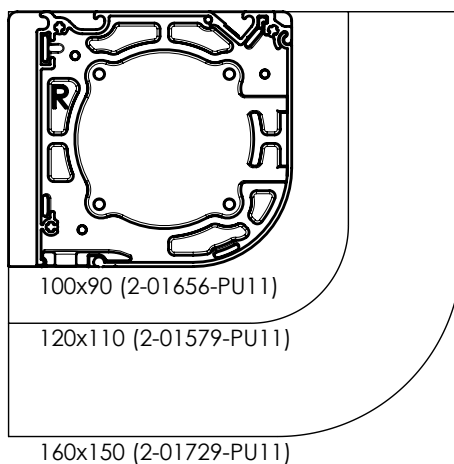
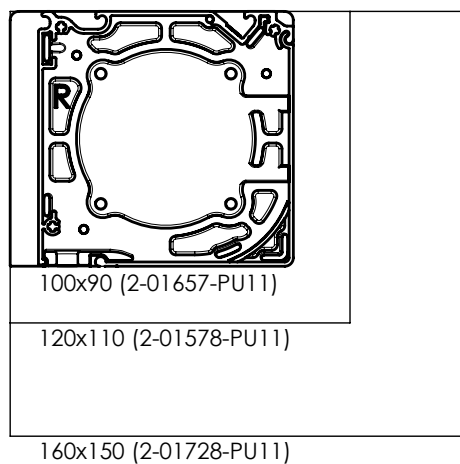
Specyfikacja techniczna

**Profil górny – prostokątna****Prófil górny – ćwierćokrągła****Profil górny - prostokątny - z rozszerzoną ścianą boczną**

- nie można użyć do samonośnej rolety ekranowej

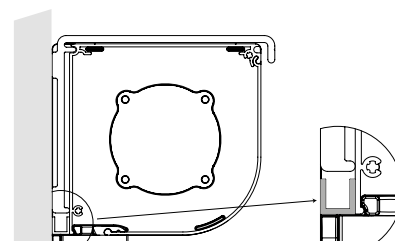
**Prófil górny - ćwierćokrągły - z rozszerzoną ścianą boczną**

- nie można użyć do samonośnej rolety ekranowej

**Tylne części kasety****Profil U- poziomy**

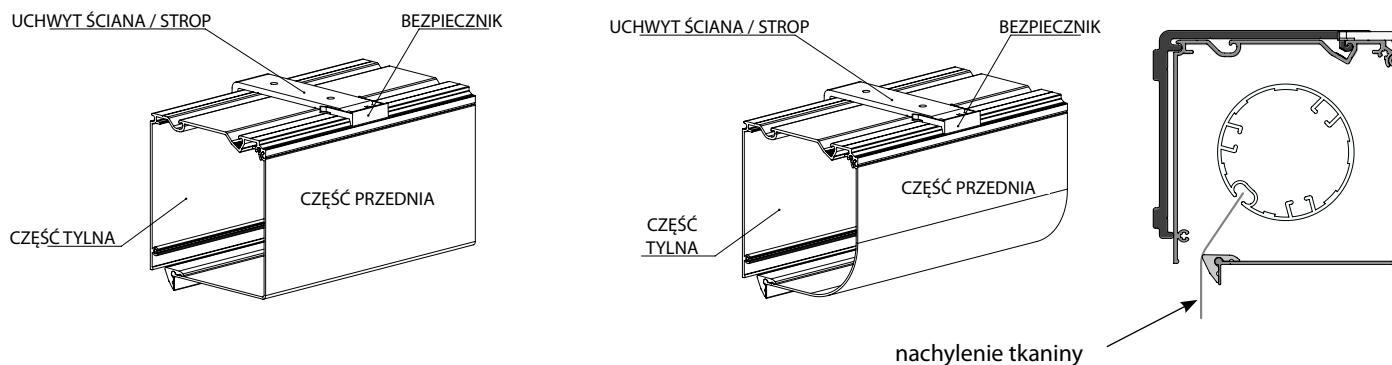
Szczelinę między kasetą i ścianą można wypełnić poziomo z pomocą profilu U o wymiarach 10 x 10 x 10 mm, długość jest dana szerokością kasety.

Przeznaczenie: - do listwy prowadzącej A839 i A829



Profil U- poziomy

## Uchwyt ściana / strop



**Materiał:** ekstrudowane aluminium z lakierem proszkowym  
Dla instalacji wszystkich wielkości profilu górnego niezależnie od listew prowadzących:

### Standardowa liczba uchwytów ściana/strop:

Szerokość rolety [mm]	Standardowa liczba uchwytów ściana/strop (box 90, 110, 150)
0 - 1500	2 szt.
1501 - 3000	3 szt.
3001 - 4500	4 szt.
4501 - 6000	5 szt.

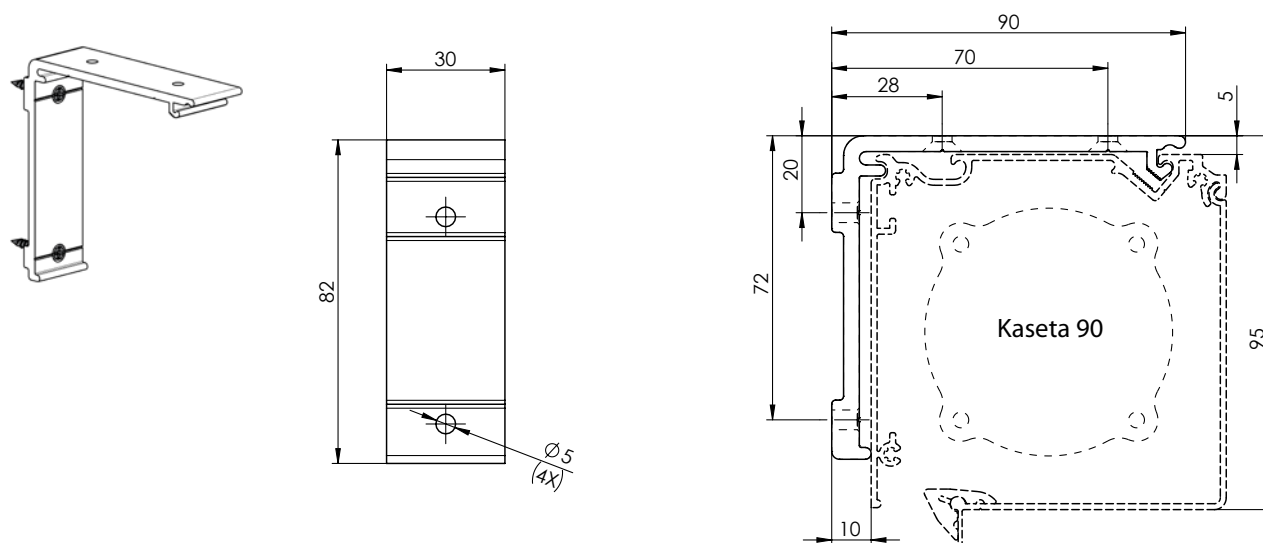
Dla samonośnej rolety ekranowej, w przypadku spełnienia wymiarów granicznych  $\xi_{MAX}$  i  $V_{MAX}$  nie będzie dostarczony profil montażowy ani uchwyty ściana -strop

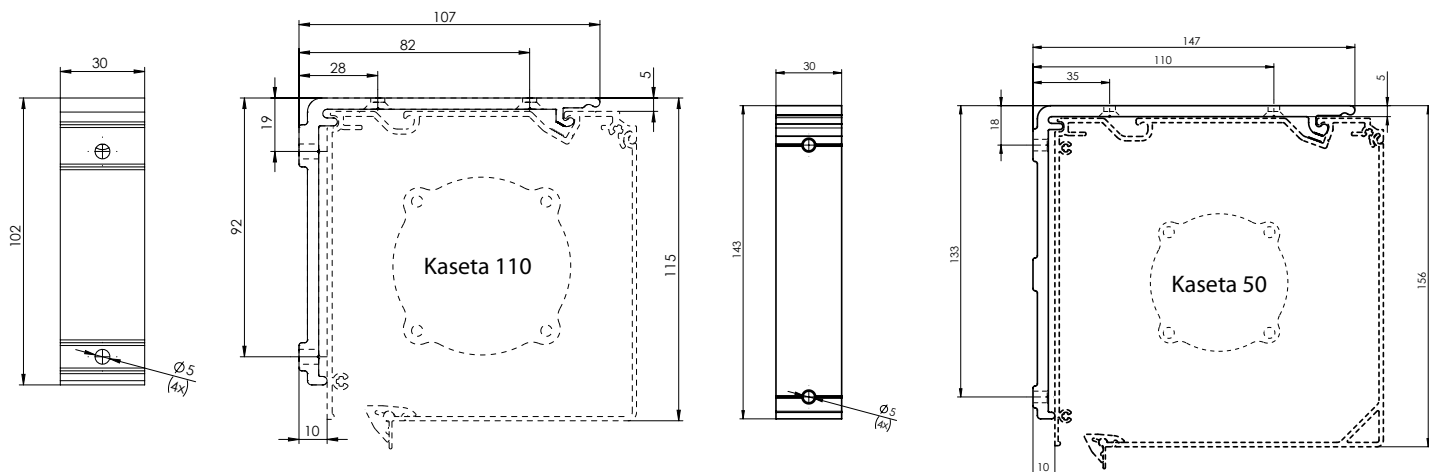
Jeżeli jest użyty uchwyt ściana/strop, zalecamy użycie listew prowadzących typu A829, A839, A828, A838, A865 i A855.

**Szerokość uchwytu ściana/strop:** 30 mm

Posuwa tylną stronę górnego profilu o 10 mm do przodu tak samo, jak zawieszenia listew prowadzących.

## Uchwyt ściana / strop

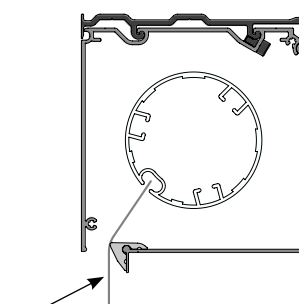
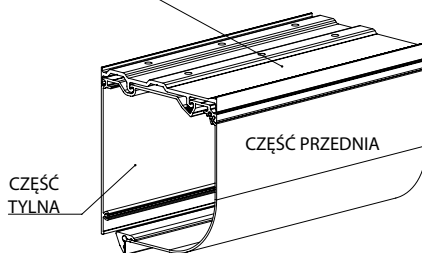
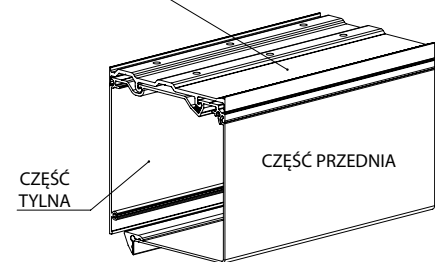




**Uchwyt na pergolę (profil montażowy)**

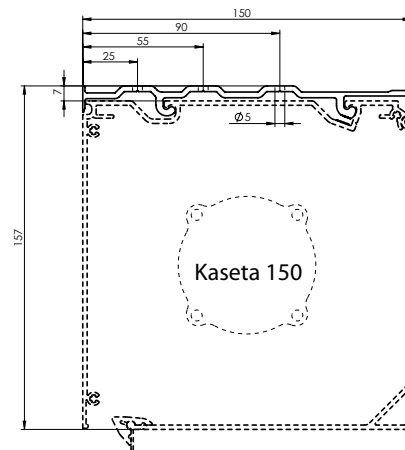
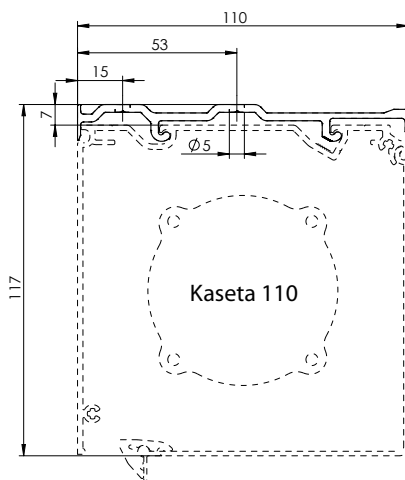
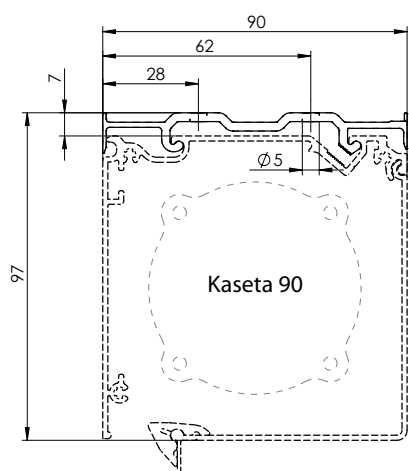
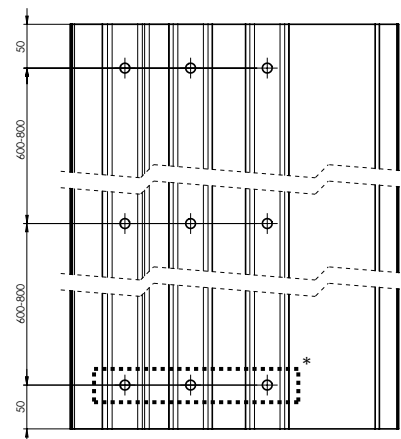
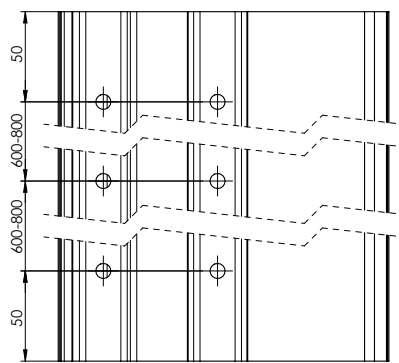
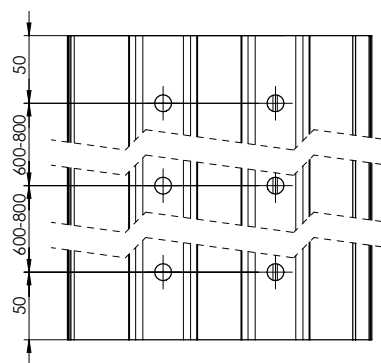
PROFIL MONTAŻOWY

PROFIL MONTAŻOWY

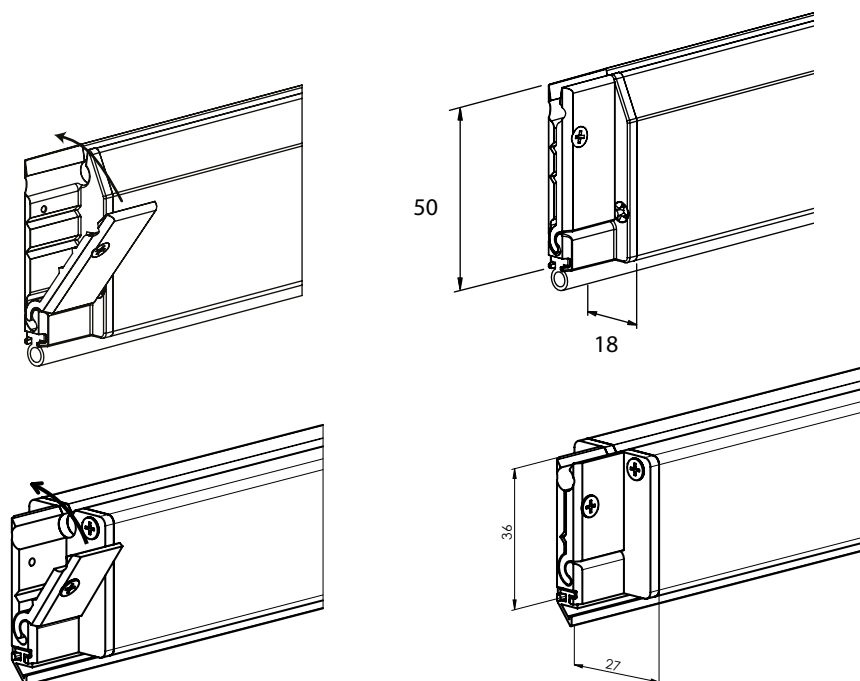


**Uchwyt do pergoli (profil montażowy) Zalecany rozstaw otworów.**

nachylenie tkaniny



## Profil dolny duży (7-303495-0000)

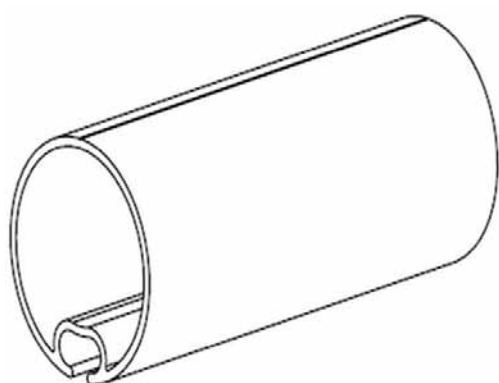


### Materiał: ekstrudowane profile aluminiowe:

- z lakierem proszkowym
  - z przestrzenią na profil obciążający
  - z rowkiem na materiał
  - z rowkiem na gumę uszczelniającą
- materiał jest umocowany do dolnej listwy z pomocą plastikowego pręta  $\varnothing$  3 mm.

Bloki ślizgowe - osłony boczne dla dobrego umocowania materiału

### Walek nawijający, śr. 55mm – 6m, śr. 67mm – 6 m, śr. 85mm – 6m, pr. 100 mm - 6m (6-014027-0000, 7-303497-0000, 6-016860-0000, 6-018526-00006)



Materiał: ekstrudowane aluminium rur  $\varnothing$  55 mm i  $\varnothing$  67 mm i stal ocynkowana rury  $\varnothing$  85 mm a  $\varnothing$  100 mm.

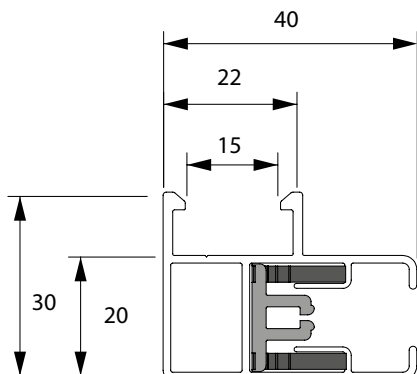
Posiada rowek do umocowania materiału z pomocą plastikowego pręta  $\varnothing$  4 mm do rury  $\varnothing$  55 mm i  $\varnothing$  67 mm i z pomocą plastikowego pręta  $\varnothing$  6 mm do rury  $\varnothing$  85 mm a  $\varnothing$  100 mm.

## Listwy prowadzące dla silnika

**Materiał:** ekstrudowane profile aluminiowe lakierowane proszkowo

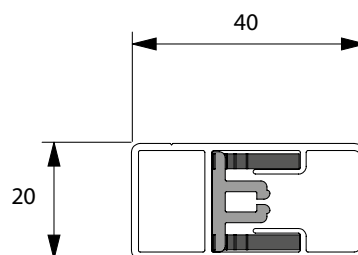
### Listwa prowadząca A839 (7-303494)

- listwa prowadząca do umocowania na zaczepy lub dla małej odległości od bocznej strony (10 mm).
- nie można użyć do samonośnej rolety ekranowej



### Listwa prowadząca A830 (7-303492)

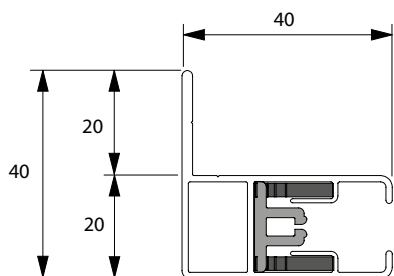
- płaska listwa prowadząca bez zaczepów.



### Listwa prowadząca A838

(7-303493)

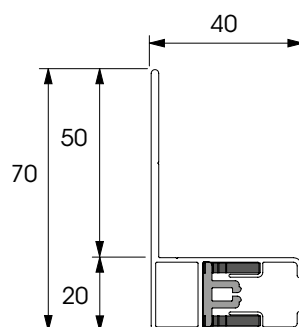
- listwa prowadząca z krótkim kołnierzem montażowym.



### Listwa prowadząca A837

(6-018856)

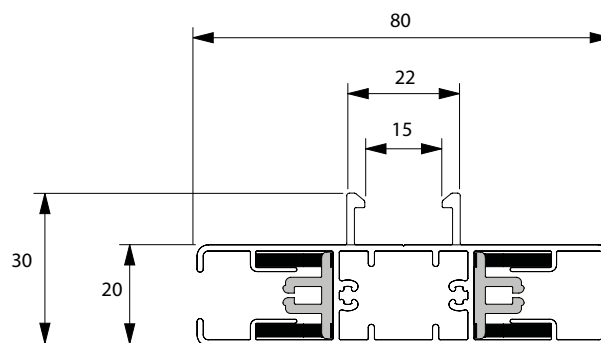
- listwa prowadząca z długim kołnierzem montażowym



### Listwa prowadząca A865

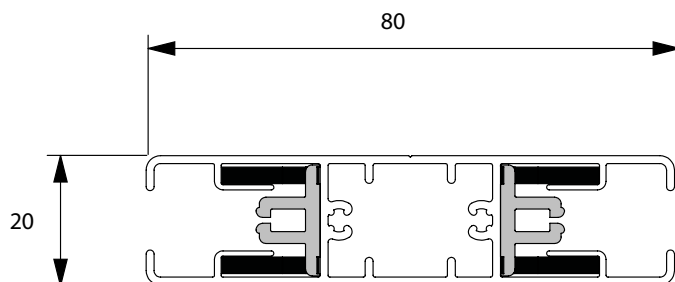
(6-014420)

- pomocnicza listwa prowadząca.
- nie można użyć do samonośnej rolety ekranowej



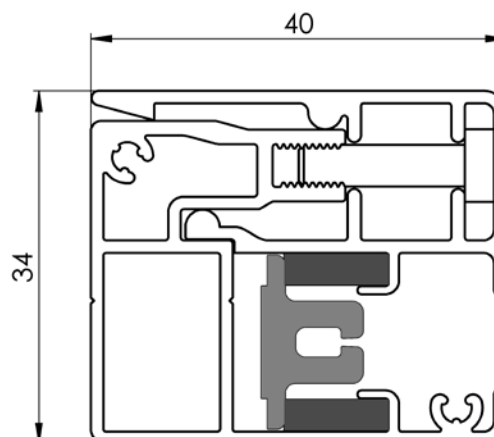
### Listwa prowadząca A866 (6-014421)

- pomocnicza listwa prowadząca.



### Listwa prowadząca A840 (7-303695 + 7-303696)

- listwa prowadząca składana, dla silnika



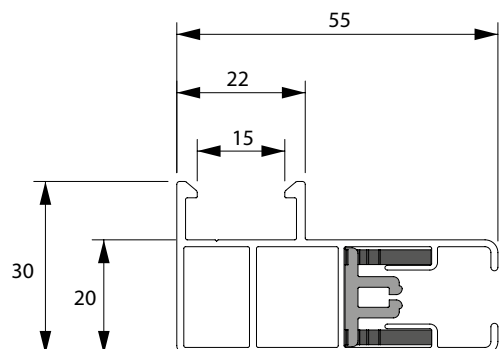


## Listwy prowadzące dla korbki

**Materiał:** ekstrudowane profile aluminiowe lakierowane proszkowo

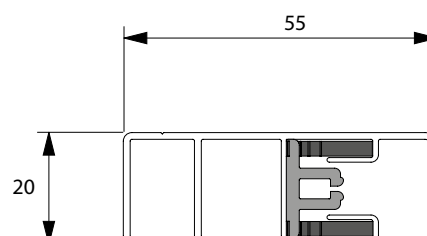
### Listwa prowadząca A829 (6-013989)

- listwa prowadząca do umocowania na zaczepy lub dla małej odległości od bocznej strony (10 mm).
- nie można użyć do samonośnej rolety ekranowej



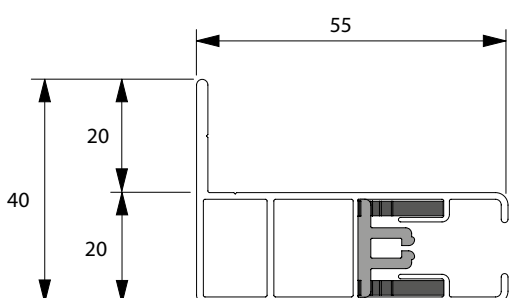
### Listwa prowadząca A820 (6-014152)

- płaska listwa prowadząca bez zaczepów.



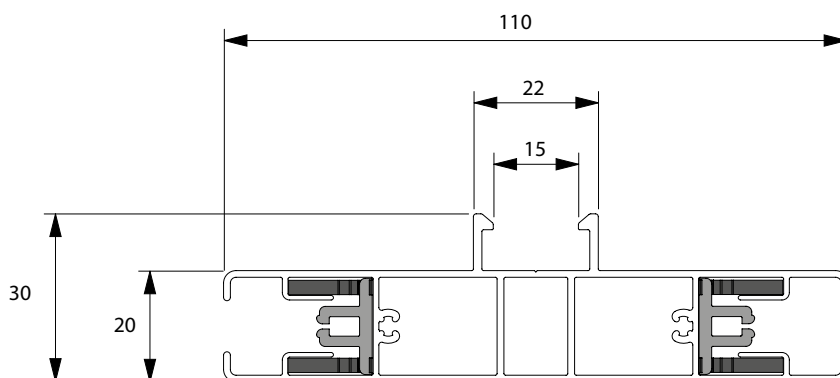
### Listwa prowadząca A828 (6-014153)

- listwa prowadząca z krótkim kołnierzem montażowym



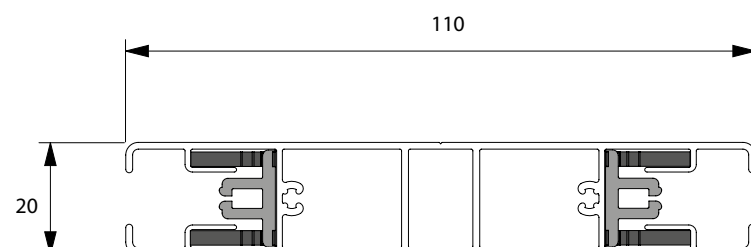
### Listwa prowadząca A855 (6-014827)

- pomocnicza listwa prowadząca
- nie można użyć do samonośnej rolety ekranowej



### Listwa prowadząca A856 (6-014154)

- pomocnicza listwa prowadząca



### Listwy prowadzące - wiercenie na przedniej/bocznej stronie (z obustron na krawędzi 200 mm)

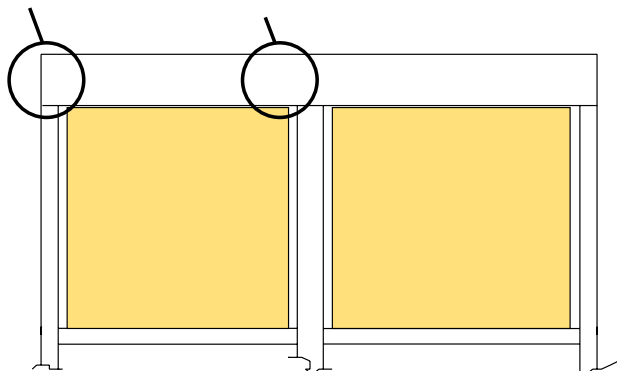
do wysokości 1500 mm	2 otwory (końcowe)
powyżej 1500 mm do 3000 mm	3 otwory (2 końcowe otwory + 1 otwór w środku)
od 3000 mm do 4500 mm	4 otwory (2 końcowe otwory + 2 otwory w środku)
od 4500 mm	5 otworów (2 końcowe otwory + 3 otwory w środku)

**Ściana boczna:**

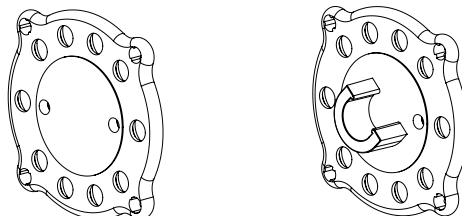
**Podstawowa ściana boczna:** - aluminiowe ściany boczne z czopami - odlew ciśnieniowy,  
- aluminiowe ściany boczne kompletne z uniwersalnymi płytami nośnymi z czarnego materiału syntetycznego.

**Środkowe ściany boczne:** - aluminiowe ściany boczne z czopami - odlew ciśnieniowy,  
- trzymają łożysko rolet sprężonych lub uniwersalną płytę nośną.

Podstawowa ściana boczna      Środkowa ściana boczna



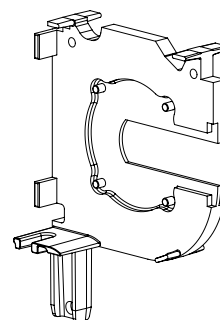
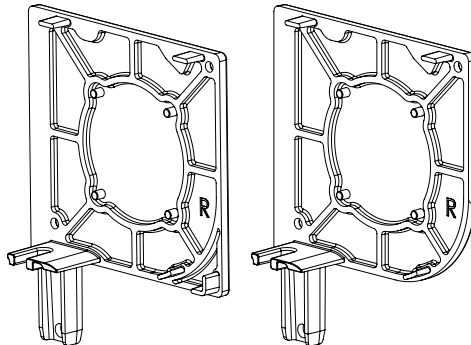
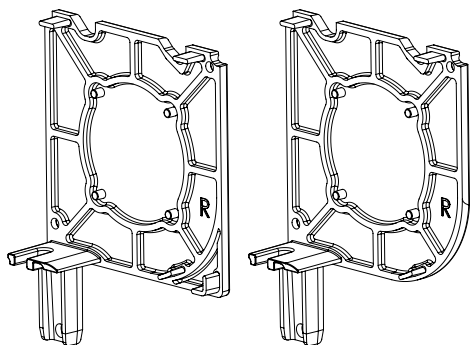
**Uniwersalna płyta nośna:**



Ściany boczne do profilu montażowego

Ściany boczne do uchwytu ściana-strop

Centralna ściana boczna



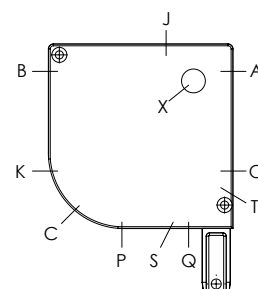
**Obsługa umieszczenie - wyjście**

Typ montażu	Obsługa	O			A			J			T			B			K			
		90	110	150	90	110	150	90	110	150	90	110	150	90	110	150	90	110	150	
A-AE	Silnik	x	x	x	x	x	x	o	x	x										
	Korbka 45°										x	x	x							
	Korbka 90°	x	x	x	x	x	x													
	Korbka																			
B-BE	Korbka z okiem																			
	Silnik							o	x					x	x			x	x	
	Korbka 45°													x	x			x	x	
	Korbka 90°													x	x			x	x	
	Korbka																			
	Korbka z okiem																			

Typ montażu	Obsługa	P			Q			C		S			X	
		90	110	150	90	110	150	90	110	90	110	150	90	110
A-AE	Silnik									x			x	x
	Korbka 45°													
	Korbka 90°													
	Korbka				o	o								
B-BE	Korbka z okiem				o									
	Silnik				o	o							x	x
	Korbka 45°							x	x					
	Korbka 90°													
	Korbka				o	o								
	Korbka z okiem													

x	Tak
x	Możliwość tylko z prostokątną kasetą
	Użycie z przekładnią z krótkim okiem
	Użycie z przekładnią z długim okiem
J	Do montażu strop/nadproże lub użycia wewnątrz z powodu przenikania wody.
o	Nie jest możliwe

**Wyjścia do obsługi**

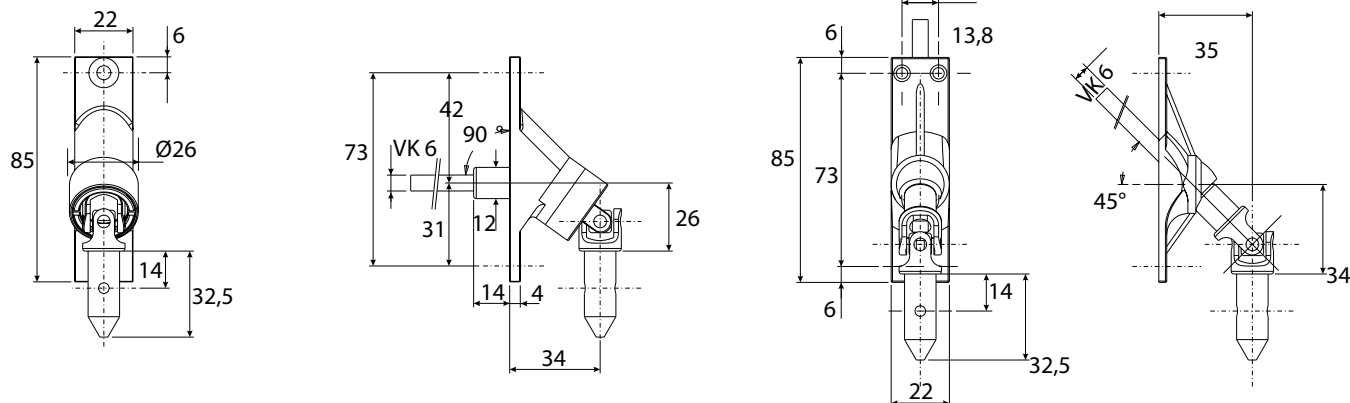


## Obsługa - Korbka

### Obsługa wewnątrz

Standardowa: - szara plastyfikowana składana korbka,  
 - przegub kardanowy 90° lub 45° lub 0° (materiał korbki: 6 mm prostokątny, długość 320 mm).  
 - konsola magnetyczna trzymająca korbkę na ścianie,  
 - długość korbki zależy od wysokości rolety:  $L = H - 150$  mm (z przegubem 90°),  $L = H - 350$  mm (z przegubem 45° i 0°).

Alternatywa: - zdejmowana korbka ze specjalnym sprzęgłem,  
 - bez zdejmowanej korbki, ze specjalnym sprzęgłem.



Przegub kardanowy 90°

Przegub kardanowy 45°

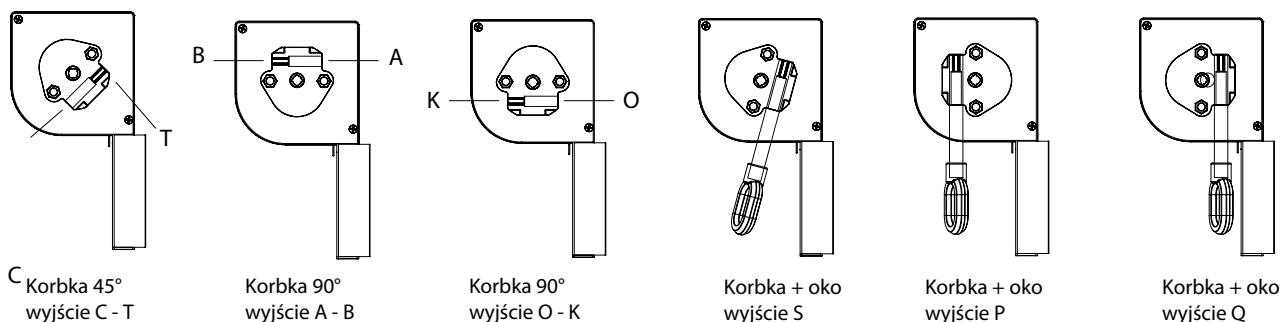
Uwaga: płyta połączenia przegubowego nie może być umocowana bezpośrednio na kasie, dlatego jest konieczne zapewnienie dalszego miejsca koło kasety.

### Obsługa zewnętrzna

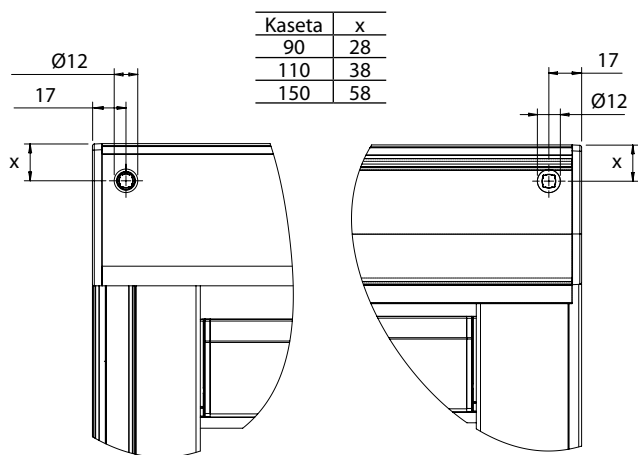
Standardowa: - obsługa korbką z okiem, zdejmowana korbka z hakiem, długość 1500 mm.

Alternatywa: - inne długości korbek są za dopłatą.

Uwaga: zapewnić dostatek miejsca na boku ( $\pm 10$  mm) z powodu obracania haka korbki w oku.

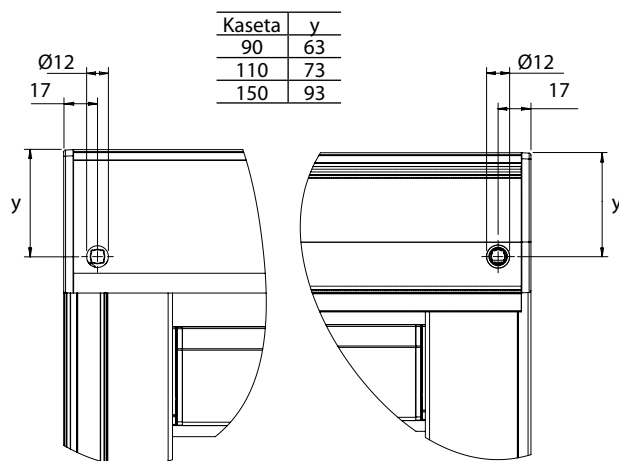
C Korbka 45°  
wyjście C - TKorbka 90°  
wyjście A - BKorbka 90°  
wyjście O - KKorbka + oko  
wyjście SKorbka + oko  
wyjście PKorbka + oko  
wyjście Q

### Wyjścia do obsługi na korbkę przez ścianę



zdejmowana korbka 90°  
wyjście A

zdejmowana korbka 90°  
wyjście B

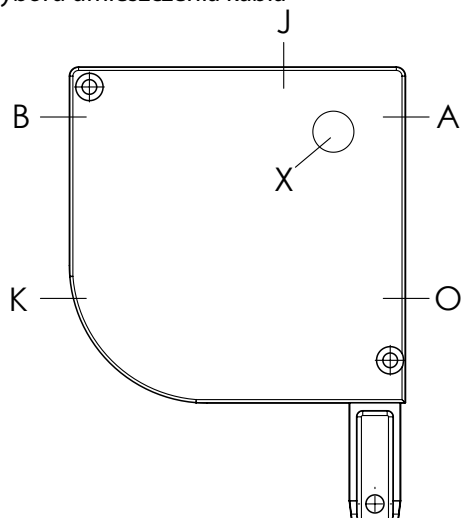


zdejmowana korbka 90°  
wyjście O

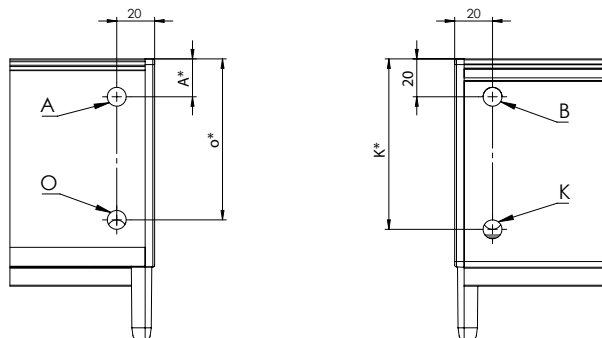
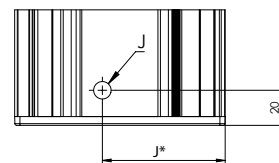
zdejmowana korbka 90°  
wyjście K

### Obsługa- silnik

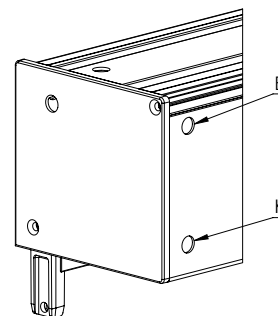
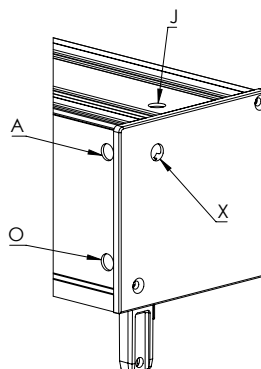
Możliwość wyboru umieszczenia kabla



na lewo, wyprowadzenie X (ze ściany bocznej) tylko dla kasety 110, 150  
na prawo, wyprowadzenie X (ze ściany bocznej) tylko dla kasety 110, 150



Box	A*	J*	K*	O*
90	30	45	70	65
110	20	70	90	85
150	30	75	130	125



## Rolety ekranowe

można użyć jednej kasety dla 2 do 3 rolet ekranowych. DVC: rolety bezpośrednio obok siebie

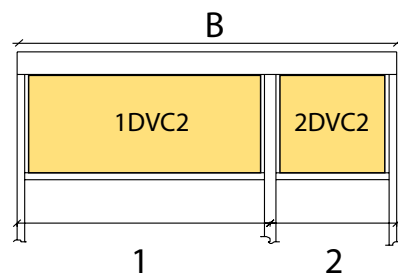
- Z listwami prowadzącymi pośrodku: A865/A866 - dla silnika  
A855/A856 - dla korbki

Możliwe z 1, 2 lub 3 miejscami obsługi.

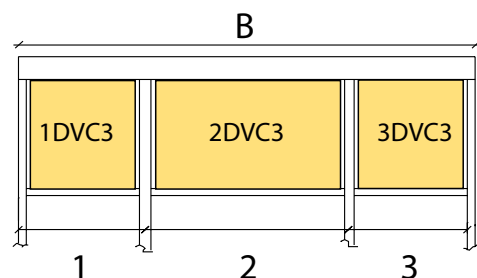
- Minimalna szerokość pojedynczej rolety ekranowej zależy od typu obsługi.
- Maksymalna całkowita szerokość zależy od typu obsługi.
- Obsługę korbką i napęd elektryczny można sprzęgać aż na 6 m.
- Zaleca się zainstalowanie jednostki sterującej do największej rolety.

Sprzężonej wersji nie można użyć dla ALFA90 w wersji obsługi korbką i ALFA150 (korbką, silnik).

Sprzężonej wersji nie można użyć do samonośnych rolet ekranowych.



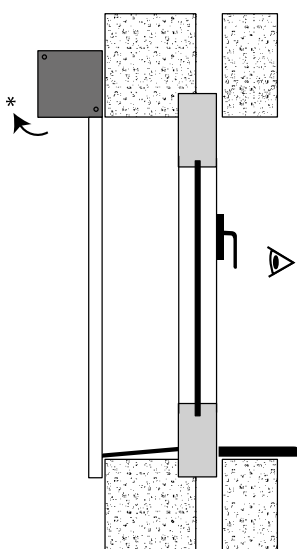
1DVC2 - 1. roleta we wspólnej kasecie z 2  
2DVC2 - 2. roleta we wspólnej kasecie z 2



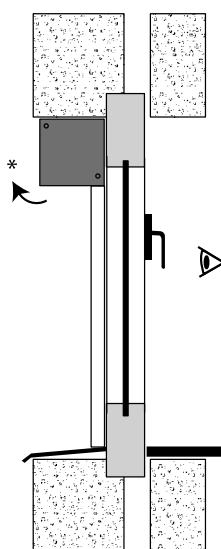
1DVC3 - 1. roleta we wspólnej kasecie z 3  
2DVC3 - 2. roleta we wspólnej kasecie z 3  
3DVC3 - 3. roleta we wspólnej kasecie z 3

## Typ montażu

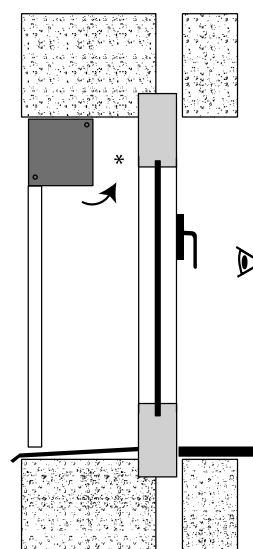
### Typ A-AE (na ścianę)



### Typ A-AE (do szpalety)



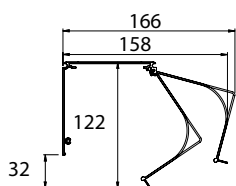
### Typ B-BE (do szpalety) \*



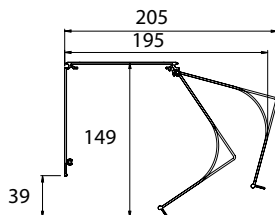
- A - nawój do okna „A” (standard)
- AE - nawój do okna „AE” (zewnątrzna strona jaśniejsza)
- B - nawój od okna „B” BE - nawój od okna „BE” (zewnątrzna strona jaśniejsza)

\* miejsce na oświetlenie kasety

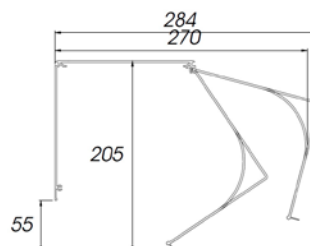
Typ 90



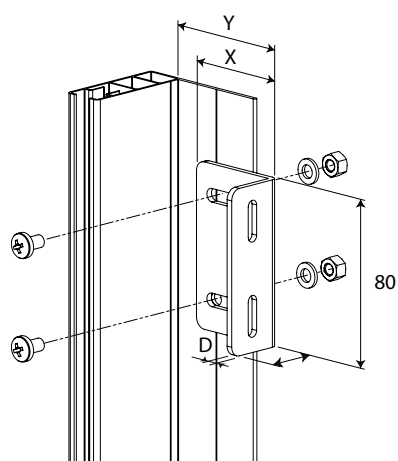
Typ 110



Typ 150





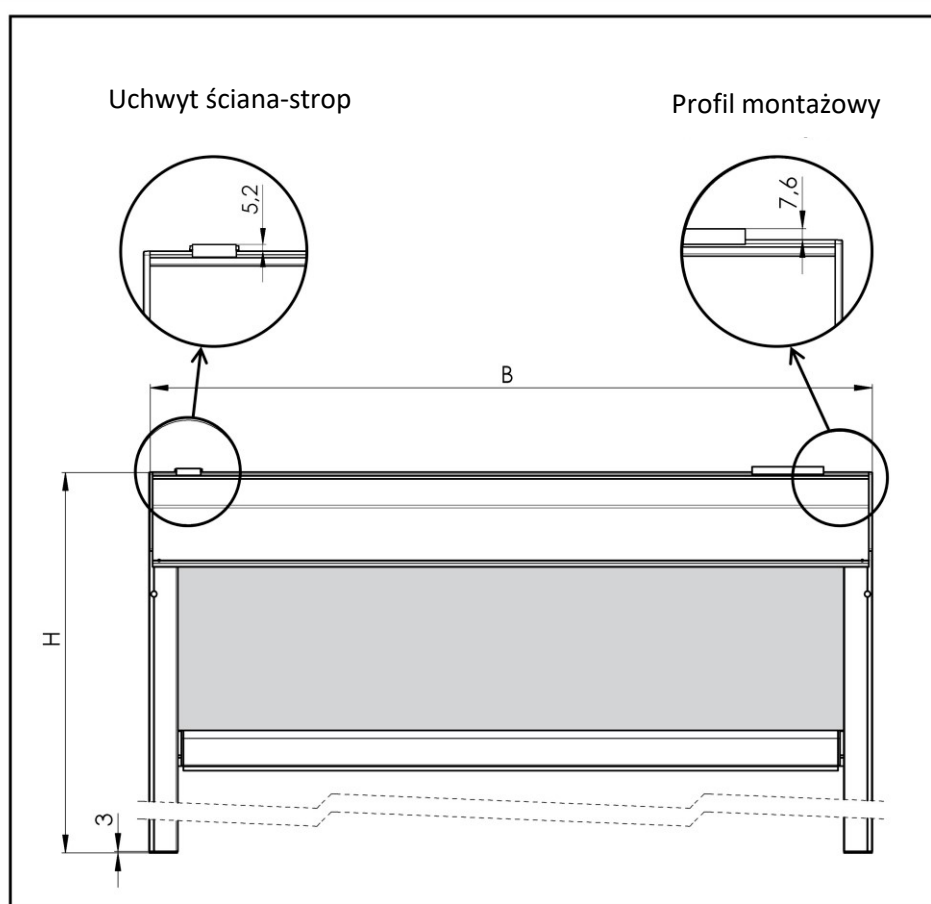
**Uchwyt na listwy prowadzące A828, A837 i A838:**

<b>X × H × D</b>	<b>X</b>	<b>Y</b>	<b>numer rysunku</b>
50 × 30 × 3	50	50–65	6-014549-0000
60 × 30 × 3	60	60–75	6-014550-0000
100 × 30 × 3	100	100–115	6-014552-0000
130 × 30 × 3	130	130–145	6-014542-0000

**SCREEN ALFA-ZIP****Wymiarowanie rolety ekranowej ALFA-ZIP**

Szerokość końcowa B = odległość między ścianami bocznymi.

Wysokość końcowa H = wysokość wraz z kasetą i końcówkami listew prowadzących (grubość końcówek listew prowadzących = 3 mm) z wyjątkiem uchwytu ściana/strop lub z wyjątkiem profilu montażowego.



## Montaż rolety ekranowej ALFA-ZIP

Istnieje kilka sposobów instalacji rolety ekranowej w zależności od sytuacji.

Uwaga: W przypadku samonośnej wersji rolety ekranowej należy postępować według wariantu A, metody 2.

### Wariant A: użycie uchwyty ściana / strop

**Metoda 1.** Umocowanie kasety z pomocą uchwytów ściana/strop, nasunięcie listew prowadzących na czop ściany bocznej i zabezpieczenie listew prowadzących śrubami.

**Metoda 2.** Umieszczenie kompletnego zestawu kasety i listew prowadzących do otworu okiennego lub nad nim i zabezpieczenie śrubami (stosuje się w przypadku, kiedy nie ma miejsca do nasunięcia listew prowadzących na czop ściany bocznej, np. z powodu parapetu lub w przypadku samonośnej wersji rolety ekranowej).



poziomnica

**METODA 1.** Umocowanie kasety z pomocą uchwytów ściana / strop, nasunięcie listew prowadzących na czop ściany bocznej i zabezpieczenie listew prowadzących śrubami.

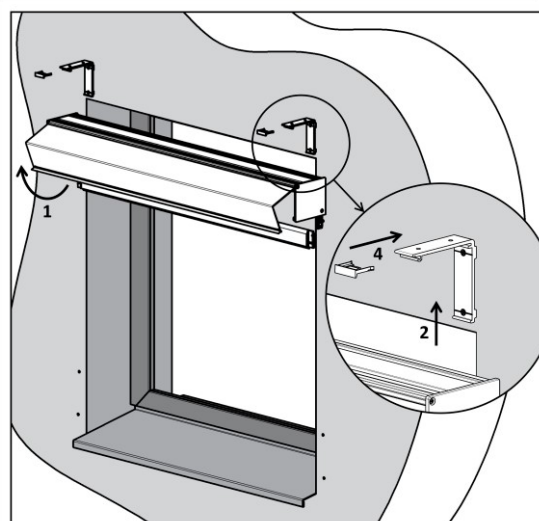
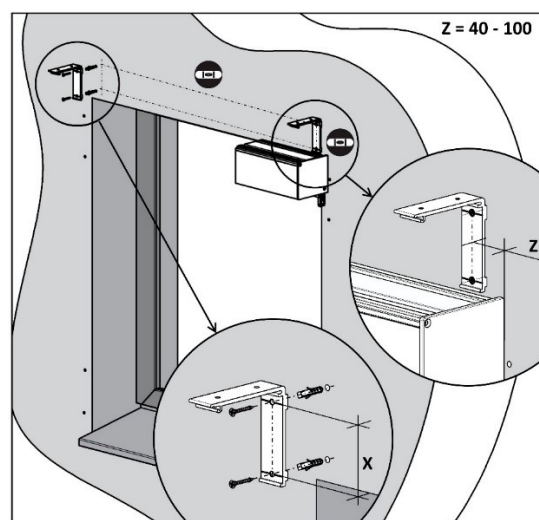
#### Krok 1: Wywiercenie otworów na uchwyty ściana/strop

1. Umieścić uchwyty ściana/strop na powierzchni montażowej. Górnych otworów użyć do montażu na strop a tylnych otworów do montażu na ścianie.
2. Kasetka musi być doskonale pozioma, dlatego należy upewnić się, że uchwyty ściana/strop są należycie wyrównane. Do tego użyć wagi wodnej i pionu lub innego odpowiedniego narzędzia.
3. Uchwyty ściana/strop muszą być umieszczone w odległości 40-100 mm od krawędzi kasety. Jakikolwiek następane uchwyty montuje się równomiernie wzdłuż szerokości kasety a ich celem jest zapobieżenie uginaniu szerszych kaset.

#### Krok 2: Umocowanie kasety na uchwyty ściana/strop

1. Zdemontować przednie wieko kasety
2. Nasadzić kasetę do uchwytów ściana/strop.
3. Upewnić się, że kasetka jest prawidłowo nasadzona na wszystkich uchwytach
4. Nasadzić i wcisnąć bezpieczniki, które muszą zatrzasnąć się w prawidłowej pozycji

Typ kasety	X
90	52 mm
110	73 mm
150	115 mm

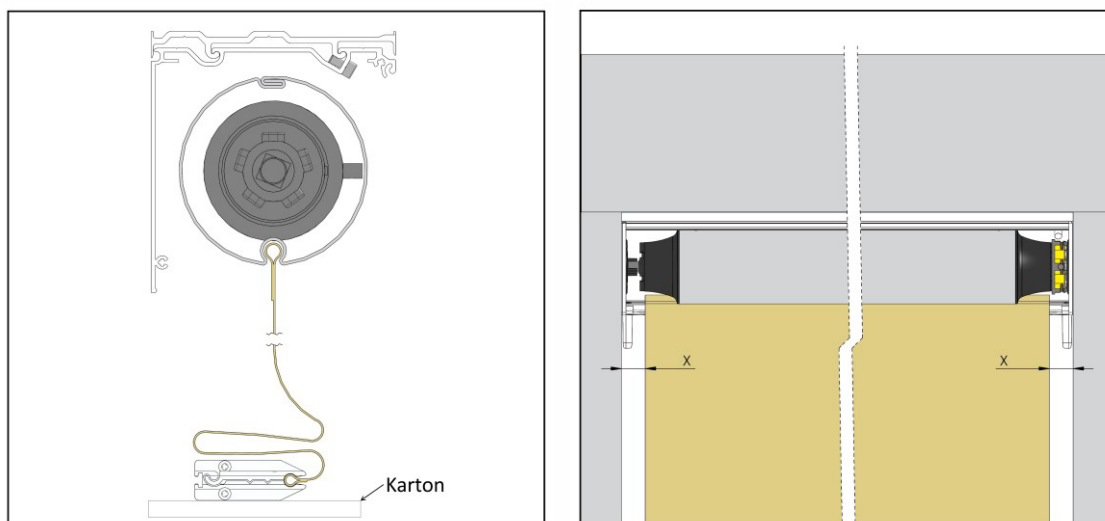




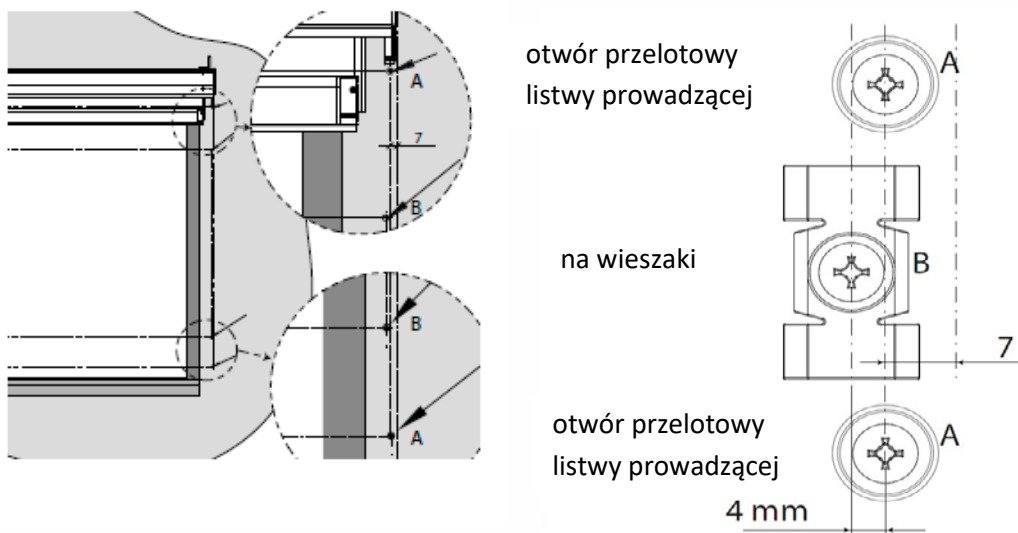
**Krok 3: Wycentrowanie materiału w kasecie**

1. Zjechać z materiałem tak, aby całkowicie odwinął się z wałka (materiał zostanie nasunięty w rowku wałka). Dbać przy tym o to, aby nie doszło do zabrudzenia materiału i uszkodzenia profilu dolnego.
2. Wycentrować materiał na wałku tak, aby był na środku kasety (nie na środku wałka)
3. Skontrolować, czy materiał nawija się równo → wykonać 2-3 cykle kontrolne (UWAGA! Nie są nastawione ograniczniki końcowe na silniku!)

Kontrolę ukończyć tak, aby dolna listwa była ok. 15 cm pod kasetą

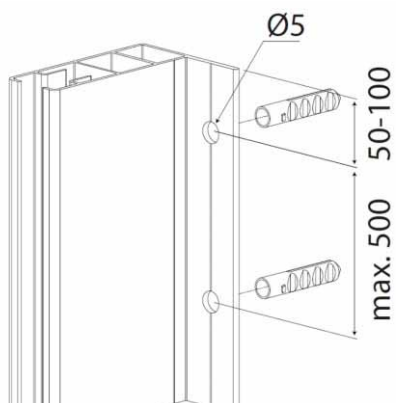
**Krok 4: Wywiercenie otworów na listwy prowadzące****Listwy prowadzące A839, A829:**

1. Na ścianie lub innej powierzchni montażowej zaznaczyć otwory, które mają być wiercone.
2. Użyć do tego nawierconych listew prowadzących.
3. A są na rysunku oznaczone otwory do umocowania listew prowadzących.
4. B są na rysunku oznaczone otwory na wieszaki.

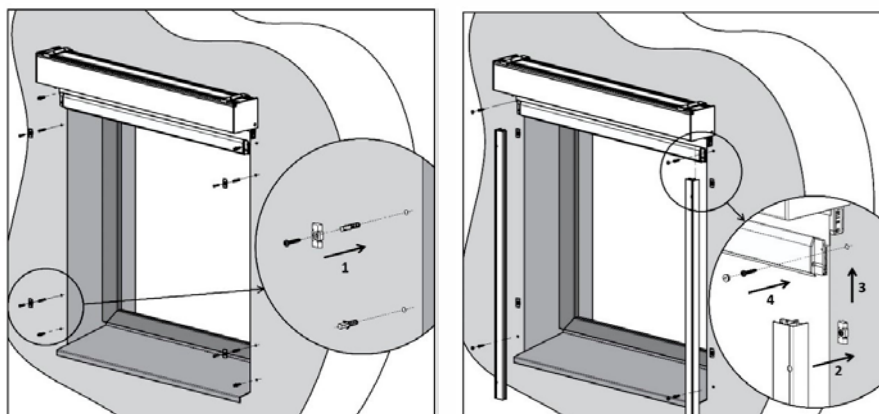


**Listwy prowadzące A830, A820:**

Do umocowania listw prowadzących A830, A820 użyć nawierconych otworów w listwach.

**Listwy prowadzące A838, A828, A837:****Krok 5: Montaż listw prowadzących****Listwy prowadzące A839, A829:**

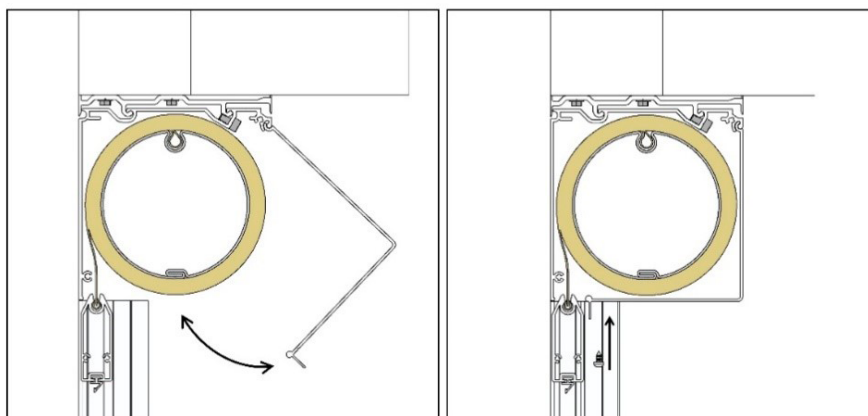
1. Umocować wieszaki na powierzchni montażowej.
2. Nasadzić czołowo listwy prowadzące na wieszaki.
3. Nasunąć listwy prowadzące na czopy ścian bocznych i upewnić się, że końcówki dolnej listwy prawidłowo zasunęły się do rowków listw prowadzących a zip na materiale zasunął się do plastikowej wkładki w listwie prowadzącej.
4. Przykręcić listwy prowadzące do powierzchni montażowej przez otwory A.

**Listwy prowadzące A830, A820, A838, A828, A837:**

Nasunąć listwy prowadzące na czopy ścian bocznych i przykręcić do powierzchni montażowej przez otwory A.

**Krok 6: Nasadzenie przedniego wieka**

Zamontować z powrotem przednie wieko kasety.



**Krok 7: Nastawienie silnika**

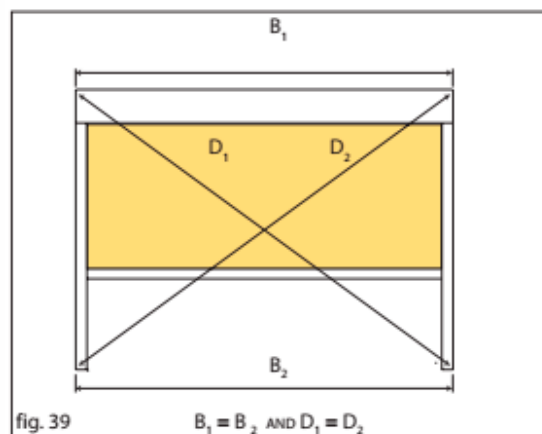
Nastawić ograniczniki końcowe silnika w zależności od typu silnika (patrz Instrukcja silnika)

**Krok 8: Kontrola montażu**

Zawsze upewnić się, że roleta jest prawidłowo zamontowana:

1. Najpierw sprawdzić, czy kasetę jest zamontowana poziomo.
2. Sprawdzić, czy obie listwy prowadzące są wzajemnie równoległe i jednocześnie prostopadłe do kasety.
3. Zmierzyć i porównać wzajemnie przekątne z dokładnością do milimetrów.

Jeżeli kasetę i listwy prowadzące nie są prawidłowo zamontowane, dolna listwa będzie zawsze nawijać się do kasety ukośnie, co spowoduje pofałdowanie materiału lub jego wrywanie z plastikowej wkładki w listwie prowadzącej.



**Metoda 2.** Umieszczenie kompletnego zestawu kasety i listew prowadzących do otworu okiennego lub nad nim i zabezpieczenie śrubami (stosuje się w przypadku, kiedy nie ma miejsca do nasunięcia listew prowadzących na czop ściany bocznej, np. z powodu parapetu lub samonośnej wersji rolety ekranowej).

**Krok 1: Wywiercenie otworów na uchwyty ściana/strop**

1. Umieścić uchwyty ściana/strop na powierzchni montażowej. Górnych otworów użyć do montażu na strop a tylnych otworów do montażu na ścianę.
2. Kasetę musi być doskonale pozioma, dlatego trzeba się upewnić, że uchwyty ściana/strop są należycie wypoziomowane. Do tego użyć wagi wodnej i pionu, lub innego odpowiedniego narzędzia.
3. Uchwyty ściana/strop muszą być umieszczone w odległości 40-100 mm od krawędzi kasety. Jakiegokolwiek następne uchwyty montuje się równomiernie wzdłuż szerokości kasety a ich celem jest zapobieżenie uginaniu się szerszych kaset.

W razie wersji samonośnej opuścić krok 1 i kontynuować od kroku 2.

**Krok 2: Wywiercenie otworów na listwy prowadzące****Listwy prowadzące A839, A829:**

1. Na ścianie lub innej powierzchni montażowej zaznaczyć otwory, które mają być wiercone. Użyć do tego nawierconych listew prowadzących.
2. A są na rysunku oznaczone otwory do umocowania listew prowadzących.
3. B są na rysunku oznaczone otwory na wieszaki.

Umocować wieszaki na powierzchni montażowej.

**Listwy prowadzące A830, A820:**

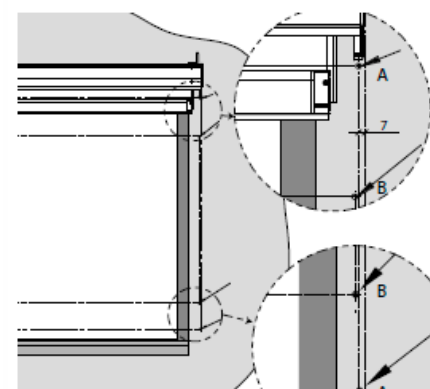
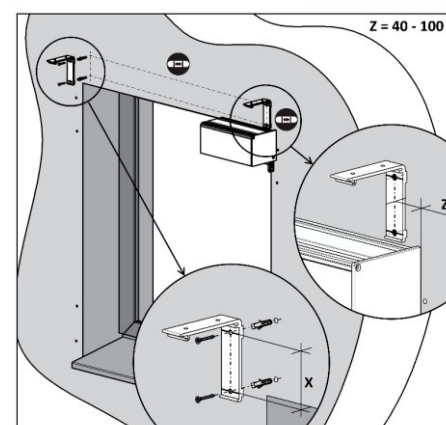
Do umocowania listew prowadzących A830, 820 użyć nawierconych otworów w listwach.

Do montażu listew prowadzących trzeba użyć wkrętów z podkładką lub z większą powierzchnią łba.



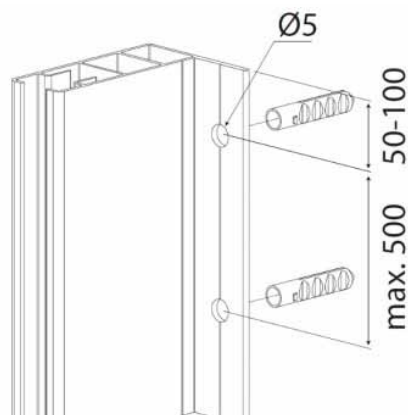
poziomnica

Typ kasety	X
90	52 mm
110	73 mm
150	115 mm



**Listwy prowadzące A838, A828, A837:**

Do montażu listw prowadzących trzeba użyć wkrętów z podkładką lub z większą powierzchnią łba.

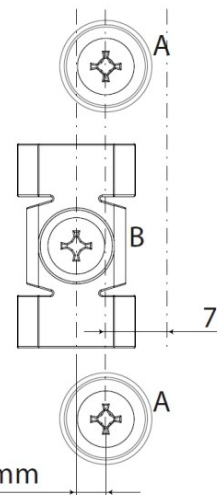


otwór przelotowy  
listwy prowadzącej

na wieszaki

otwór przelotowy  
listwy prowadzącej

4 mm



\*A840 - patrz instrukcja montażu

**Krok 3: Nasunięcie listw prowadzących na czopy ścian bocznych**

1. Położyć kasetę na kartonowe opakowanie (dbać o to, aby nie uszkodzić wykończenia powierzchni).
2. Następnie nasunąć nawiercone listwy prowadzące na czopy ścian bocznych.
3. Upewnić się, że końcówki dolnej listwy są prawidłowo zasunięte do rowków listw prowadzących a zip na materiale zasunął się do plastikowej wkładki w listwie prowadzącej.

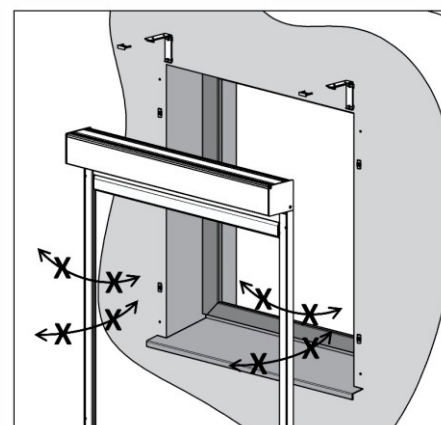
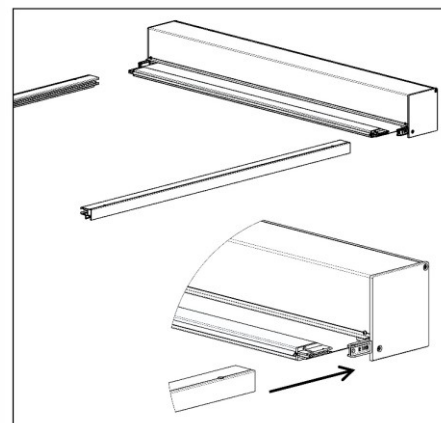
**Krok 4: Osadzenie kasety i listw prowadzących**

Podnieść kasetę z listwami prowadzącymi. Przeprowadzać to powinny min. 2 osoby w zależności od całkowitej szerokości kasety. Umieścić kompletny zestaw do otworu okiennego.

Do montażu listw prowadzących trzeba użyć wkrętów z podkładką lub z większą powierzchnią łba.

Podczas montażu trzeba zachować szczególną ostrożność, aby nie doszło do złamania trzpienia ściany bocznej.

W samonośnej wersji rolety nie używa się profilu montażowego ani uchwytu „ściana-strop“, zatem jest naturalne nieznaczące ugięcie kasety na szerokości rolety. To ugięcie wytwarza optyczną szczelinę między górną krawędzią kasety i sufitem, gdzie jest zamontowana samonośna roleta ekranowa.



**Uwaga! Uważać, aby nie odłamać czopów posuwając listwy prowadzące za bardzo do przodu, do tyłu lub w bok.**

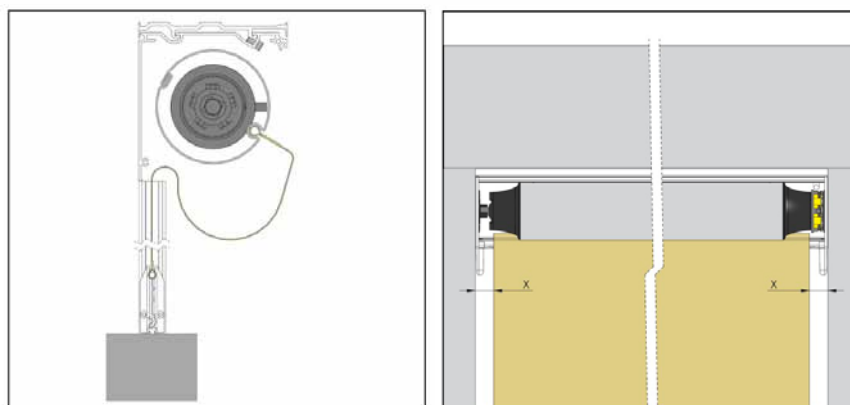
**Krok 5: Umocowanie kasety na uchwyty ściana/strop i przykręcenie listw prowadzących**

1. Nasadzić kasetę do uchwytów ściana/strop.
2. Upewnić się, że kasetka jest prawidłowo nasadzona na wszystkich uchwytach.
3. Nasadzić i wcisnąć bezpieczniki, które muszą zatrzasnąć się w prawidłowej pozycji.
4. W przypadku listw prowadzących A839,829 nasadzić je czołowo na wieszaki i przykręcić do powierzchni montażowej przez otwory A.
5. W przypadku listw prowadzących A830, 820, A838, A837, A828 przykręcić je do powierzchni montażowej przez otwory A

**Krok 6: Wycentrowanie materiału w kasecie**

1. Zjechać materiałem tak, aby całkowicie odwinął się z wałka (materiał zostanie nasunięty w rowku wałka). Dbać przy tym o to, aby nie doszło do zabrudzenia materiału i uszkodzenia dolnego profilu.
2. Wycentrować materiał na wałku tak, aby był pośrodku kasety (nie pośrodku wałka)
3. Skontrolować, czy materiał nawija się równo → wykonać 2-3 cykle kontrolne (UWAGA! Nie są nastawione ograniczniki końcowe na silniku!)

Kontrolę ukończycy tak, aby listwa dolna była ok. 15 cm pod kasetą.

**Krok 7: Nastawienie silnika**

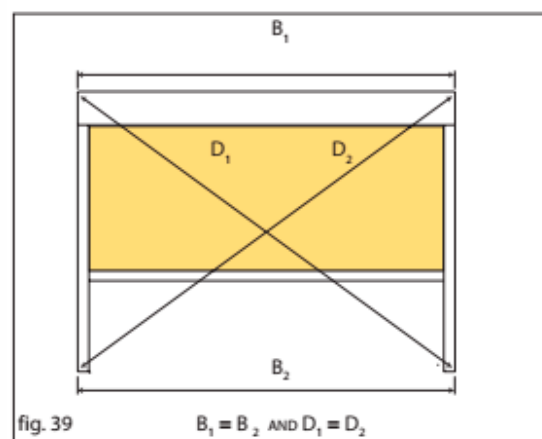
Nastawić ograniczniki końcowe silnika w zależności od typu silnika (patrz Instrukcja silnika)

**Krok 8: Kontrola montażu**

Zawsze upewnić się, że roleta jest prawidłowo zamontowana:

1. Najpierw sprawdzić, czy kasetka jest zamontowana poziomo.
2. Sprawdzić, czy obie listwy prowadzące są wzajemnie równoległe i jednocześnie prostopadłe do kasety.
3. Zmierzyć i porównać wzajemnie przekątne z dokładnością do milimetrów.

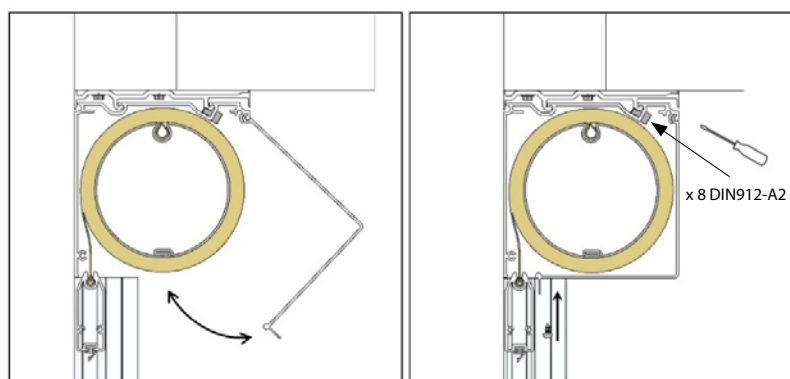
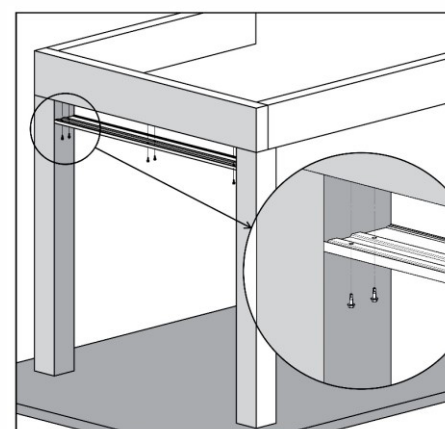
Jeżeli kasetka i listwy prowadzące nie są prawidłowo zamontowane, dolna listwa będzie zawsze nawijać się do kasety ukośnie, co spowoduje pofałdowanie materiału lub jego wyrywanie z plastikowej wkładki w listwie prowadzącej.

**Wariant B: użycie profilu montażowego****Krok 1: Umocowanie profilu montażowego**

1. Umieścić profil na powierzchni montażowej i zaznaczyć miejsca według nawierconych otworów. Powierzchnia montażowa musi być doskonale pozioma!
2. Nawiercić otwory według użytego materiału złącznego i przykręcić profil montażowy.

**Krok 2: Umocowanie kasety na profil montażowy**

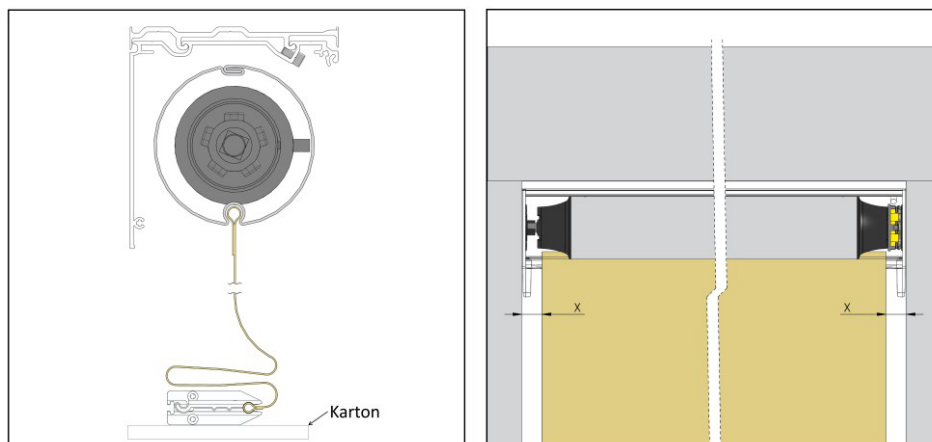
1. Zdemontować przednie wieko kasety
2. Nasadzić kasetę do profilu montażowego
3. Upewnić się, że kasetka jest prawidłowo nasadzona na całej długości w obu zamkach.
4. Przykręcić załączone śruby M4 do nawierconych otworów w kasecie.



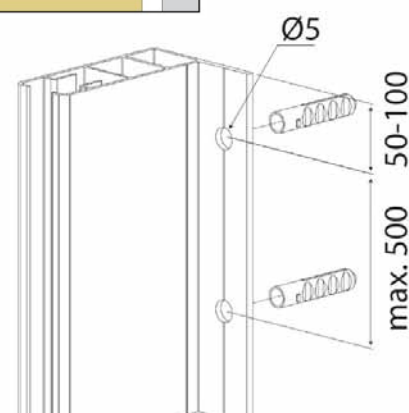
**Krok 3: Wycentrowanie materiału w kasecie**

1. Zjechać materiałem tak, aby całkowicie odwinął się z wałka (materiał zostanie nasunięty w rowku wałka). Dbać przy tym o to, aby nie doszło do zabrudzenia materiału i uszkodzenia dolnego profilu.
2. Wycentrować materiał na wałku tak, aby był pośrodku kasety (nie pośrodku wałka)
3. Skontrolować, czy materiał nawija się równo → wykonać 2-3 cykle kontrolne (UWAGA! Nie są nastawione ograniczniki końcowe na silniku!)

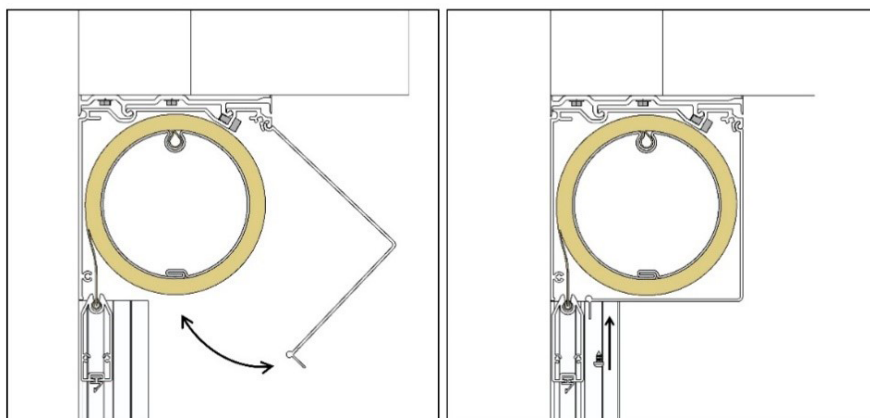
Kontrolę ukończyć tak, aby dolna listwa była ok.. 15 cm pod kasetą.

**Krok 4: Montaż listw prowadzących**

1. Nasunąć listwy prowadzące na czopy ścian bocznych.
2. Upewnić się, że końcówki dolnej listwy są prawidłowo zasunięte do rowków listw prowadzących a zip na materiale zasunął się do plastikowej wkładki na listwie prowadzącej.
3. Przykręcić listwy prowadzące.

**Krok 5: Nasadzenie przedniego wieka**

Zamontować z powrotem przednie wieko kasety.

**Krok 6: Nastawienie silnika**

Nastawić ograniczniki końcowe silnika w zależności od typu silnika (patrz. Instrukcja silnika)

**Krok 7: Kontrola montażu**

Zawsze upewnić się, że roleta jest prawidłowo zamontowana:

1. Najpierw sprawdzić, czy kasetę jest zamontowana poziomo.
2. Sprawdzić, czy obie listwy prowadzące są wzajemnie równoległe i jednocześnie prostopadłe do kasety.
3. Zmierzyć i porównać wzajemnie przekątne z dokładnością do milimetrów.

Jeżeli kasetę i listwy prowadzące nie są prawidłowo zamontowane, dolna listwa będzie zawsze nawijać się do kasety ukośnie, co spowoduje pofałdowanie materiału lub jego wrywanie z plastikowej wkładki w listwie prowadzącej.

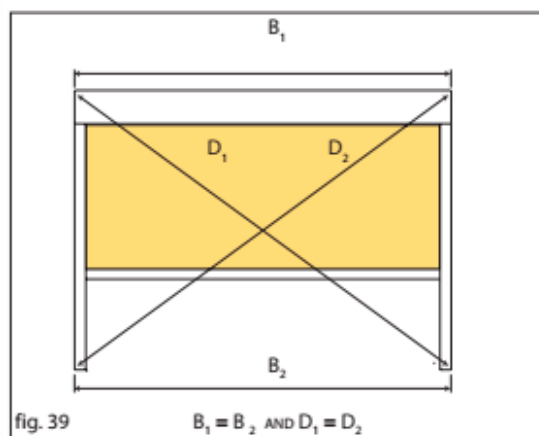


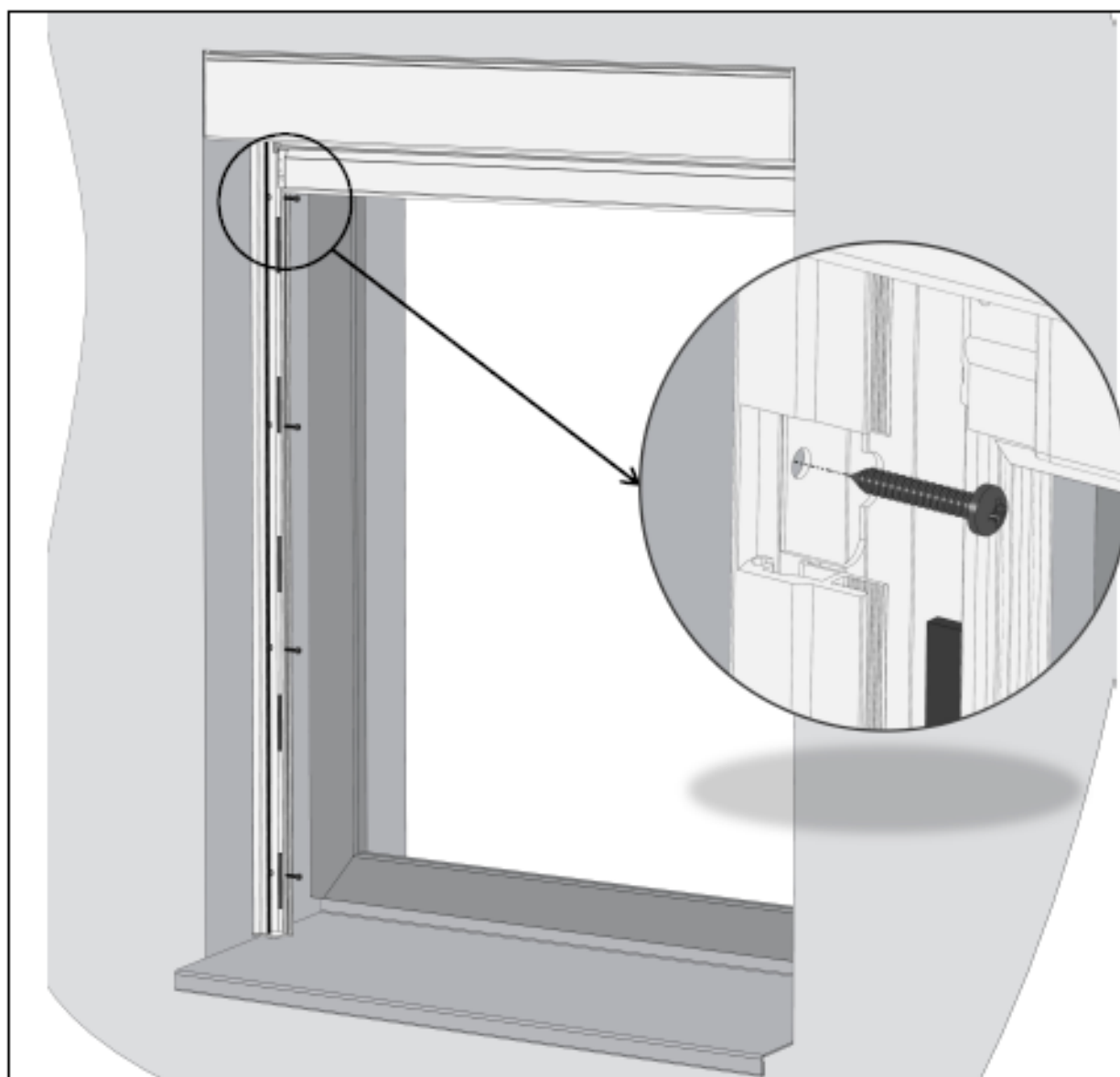
fig. 39

$$B_1 = B_2 \text{ AND } D_1 = D_2$$

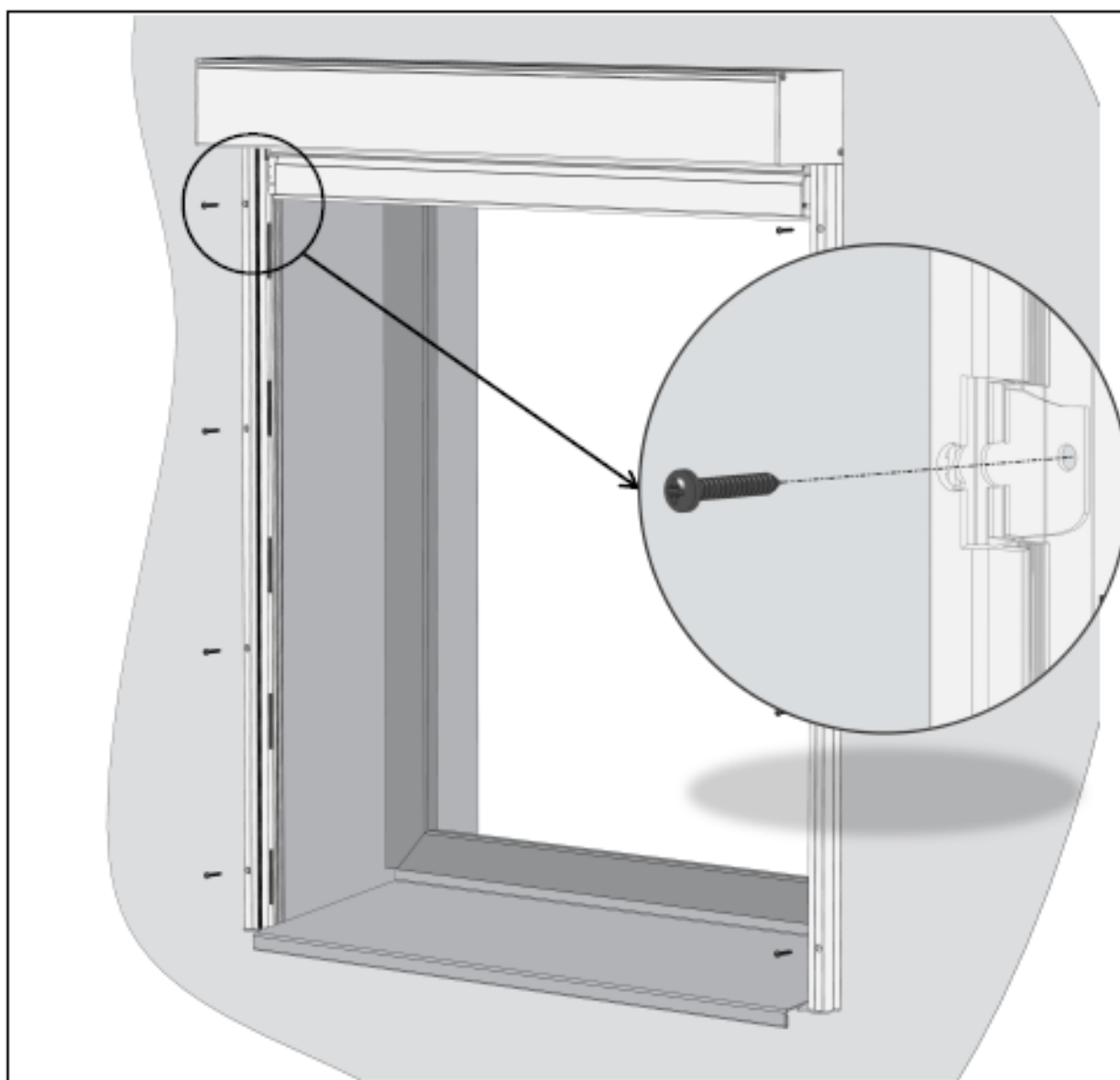
## \* Montaż - składana listwa prowadząca A840

### 1. Montaż listwy prowadzącej

#### 1.a Boczny montaż listwy prowadzącej

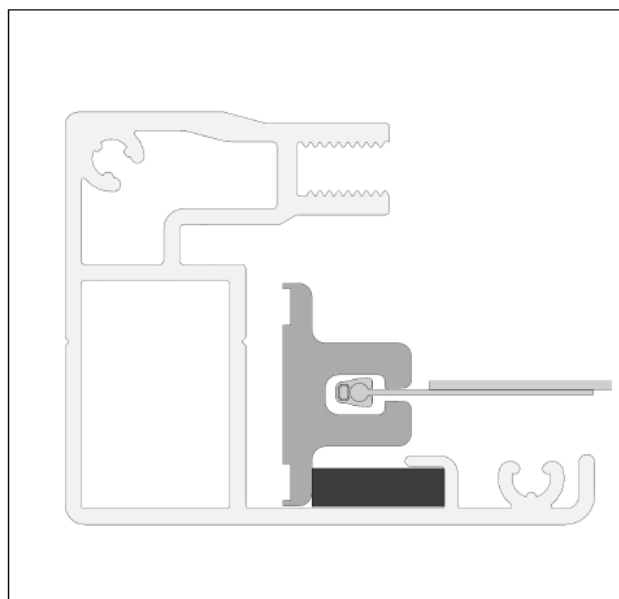
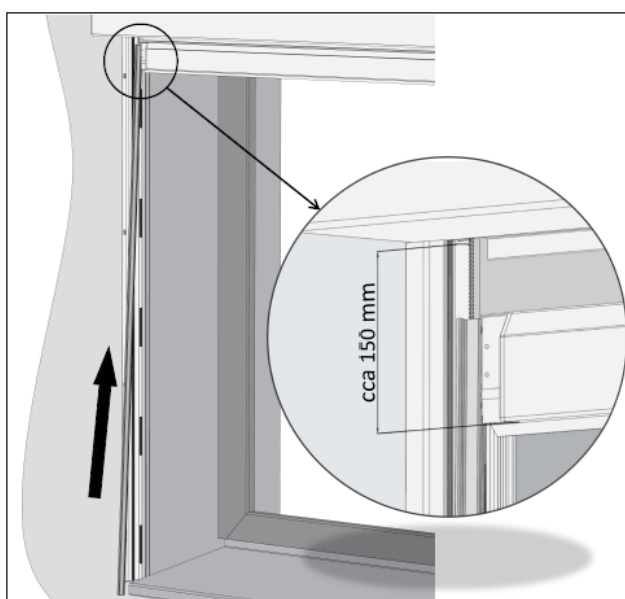


1.b Przedni montaż listwy prowadzącej



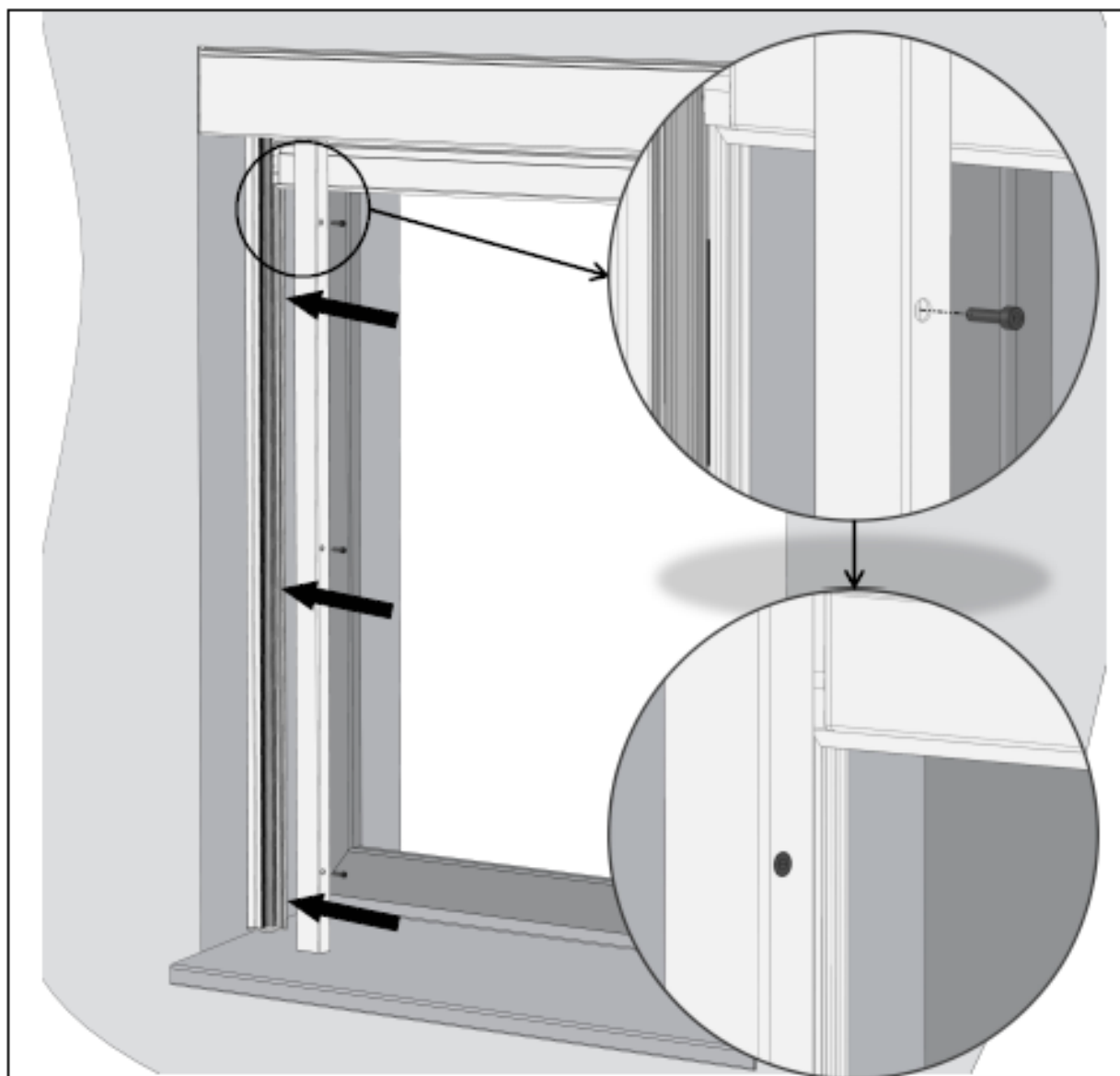
2. Nasadzenie profilu zipowego

Przekrój listwy A840 po nasadzeniu profilu zipowego

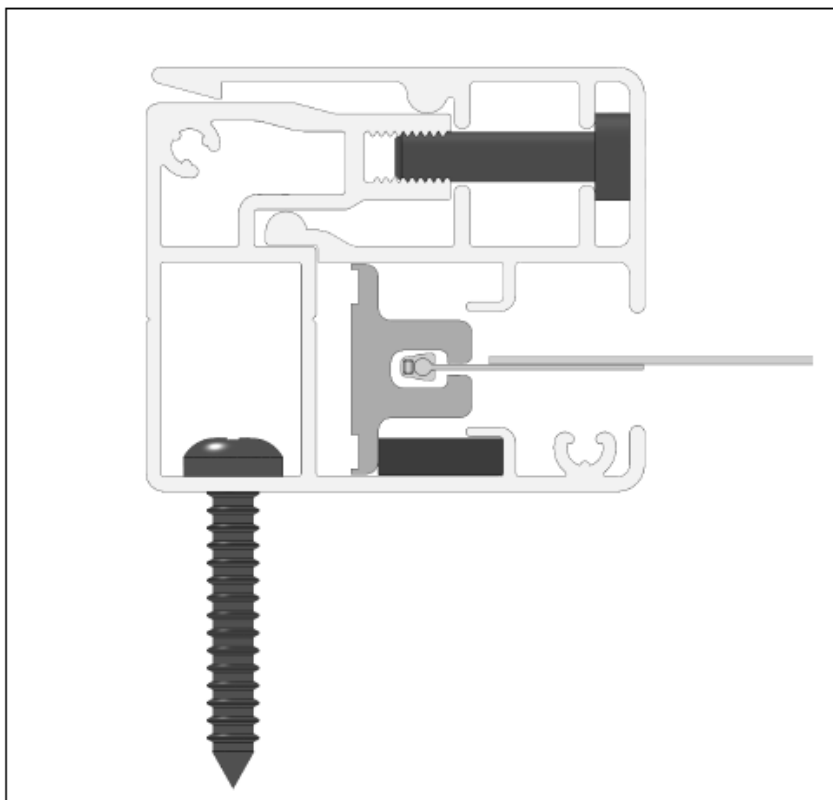




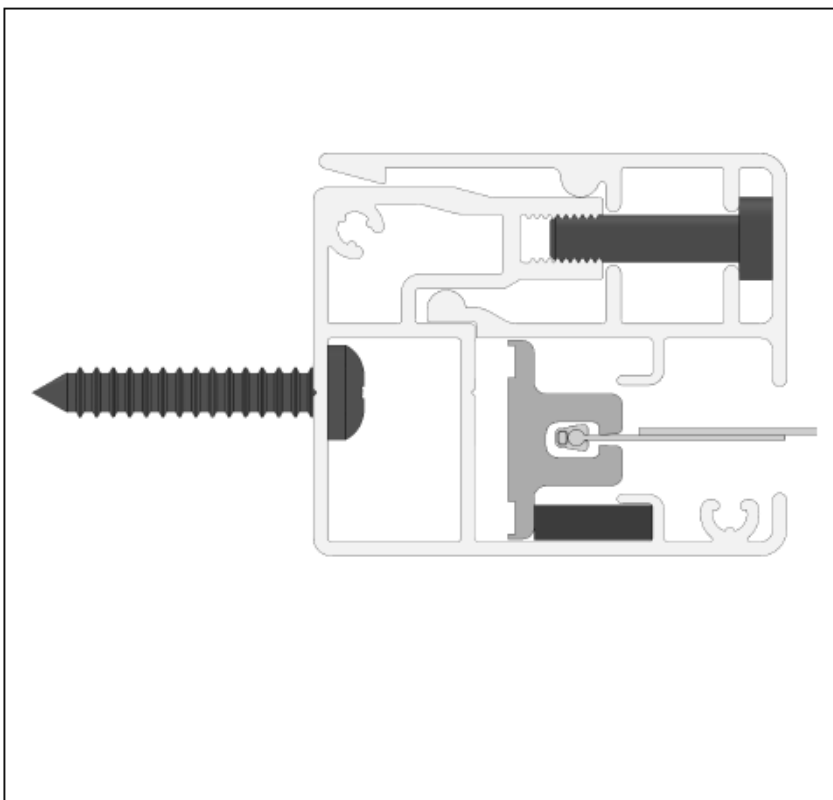
## 3. Nasadzenie zamknięcia A840



## 3.a Przekrój listwy prowadzącej A840 po montażu przednim



## 3.a Przekrój listwy prowadzącej A840 po montażu bocznym



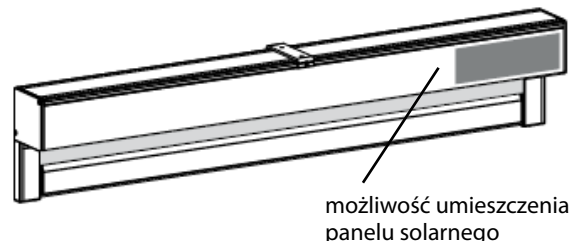
## SCREEN ALFA-ZIP SOLAR

Roleta ekranowa z zasilaniem solarnym jest unikatową i w pełni zautomatyzowaną roletą, która jest obsługiwana bezprzewodowo i ma zerowe zużycie energii. Ta roleta działa na zasadzie tzw. zjawiska fotowoltaicznego – tj. przemiany promieniowania słonecznego na energię elektryczną. Chodzi o ekologiczne i energetycznie najoszczędniejsze rozwiązanie napędu rolet. Napęd jest zasilany z akumulatora o długiej żywotności doładowywanego z panelu solarnego, który działa przy każdej pogodzie.

Maksymalna powierzchnia 7,5 m<sup>2</sup>. Jedna jednostka solarna jest dostosowana do zasilania tylko jednej rolety ekranowej.

### Parametry tego wyrobu:

- kasety tylko prostokątne
- rura ø 55, ø 67, ø 85
- wymiary: patrz strona 8, 9
- standard - akumulator wewnętrzny tylko dla kasety 150
- opcjonalnie - użycie zewnętrznego akumulatora dla kasety 90 i 110
- panel solarny jest zawsze na stronie silnika
- montaż typu B-BE (do szpalety) nie jest możliwy
- możliwość kilku rolet w wspólnej kasecie pod warunkiem, że każda roleta będzie miała własny silnik i akumulator zewnętrzny
- tylko dolny profil 18x50.



### Skład zestawu solarnego:

- \*Silnik
- panel solarny OximoWireFree resin 3,2 W
- akumulator Oximo WireFree, NiMH 12V, 2,2 Ah
- Kabel adaptera Oximo WireFree Wiring Harness

### \* Silnik

nazwa pozycji	nazwa handlowa	numer rysunku
SOLAR KIT „SUNEA 40 io“ 6/18	X.1241890	6-018887-0006
SOLAR KIT „SUNEA 40 io“ 10/12	X.1241891	6-018887-0010
SOLAR KIT „SUNEA 40“ 6/18 RTS DC	X.1241478	6-017545-0006
SOLAR KIT „SUNEA 40“ 10/12 RTS DC	X.1241479	6-017545-0010

### Akumulator Oximo WireFree

- Akumulator Typ NiMH
- Wymiary 420mm x ø 25 mm
- Klasa ochrony IPx4
- Czas ładowania maks. 3,5 godz.

### Panel solarny Oximo WireFree

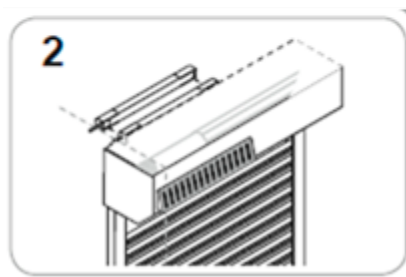
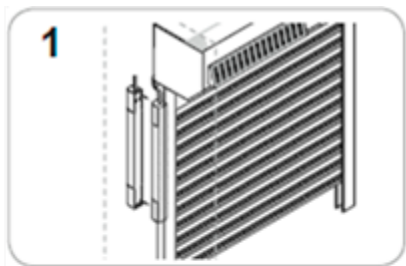
- materiał warstwowy czarny laminat szklany z przezroczystą żywicą epoksydową z technologią fotowoltaiczną
- pobór mocy 3,2 W
- wymiary 470 x 60 x 6 mm
- klasa ochrony X4 (ogniwa światłoczułe: IP67)
- dostarcza energię również przy zachmurzeniu

### Możliwość zasilania solarnego:

Akumulator można zainstalować w pomieszczeniu, ale również umieścić na zewnątrz do kasety, ale tak, aby nie był narażony na bezpośrednie działanie czynników środowiska zewnętrznego, na akumulator nie może padać i świecić bezpośrednie słońce. Temperatura robocza wynosi od  $-20^{\circ}\text{C}$  do  $+70^{\circ}\text{C}$ . Klasa ochrony IP jest X4, co oznacza, że wyrób jest chroniony przed pryskającą wodą pod każdym kątem.

Akumulator Oximo WireFree TM musi być zainstalowany tak, aby był chroniony przed czynnikami pogodowymi. Może być np. umocowany za listwą prowadzącą rolety (1), za kasetą rolety, lub od spodu kasety (2), pod ramą okienną lub w rogu wewnętrznej ściany

- odpowiednie miejsce należy wybrać według umieszczenia, konstrukcji i typu rolety. Uwaga! Akumulator musi być dostępny w jakiegokolwiek pozycji rolety, aby zawsze był dostępny przycisk PROG, aby było możliwe jego utrzymanie, ewentualnie ładowanie ładowarką zewnętrzną lub jego wymiana. Nie zamykać akumulatora do hermetycznej obudowy. Jeżeli akumulator będzie zainstalowany w innej pozycji niż poziomo, wyprowadzenie kabla zasilającego musi być skierowane zawsze w górę.



Baterie są zawsze umieszczone na zewnątrz we wszystkich trzech rozmiarach pudełek - nie wewnątrz pudełka

## SCREEN ALFA PLUS-ZIP

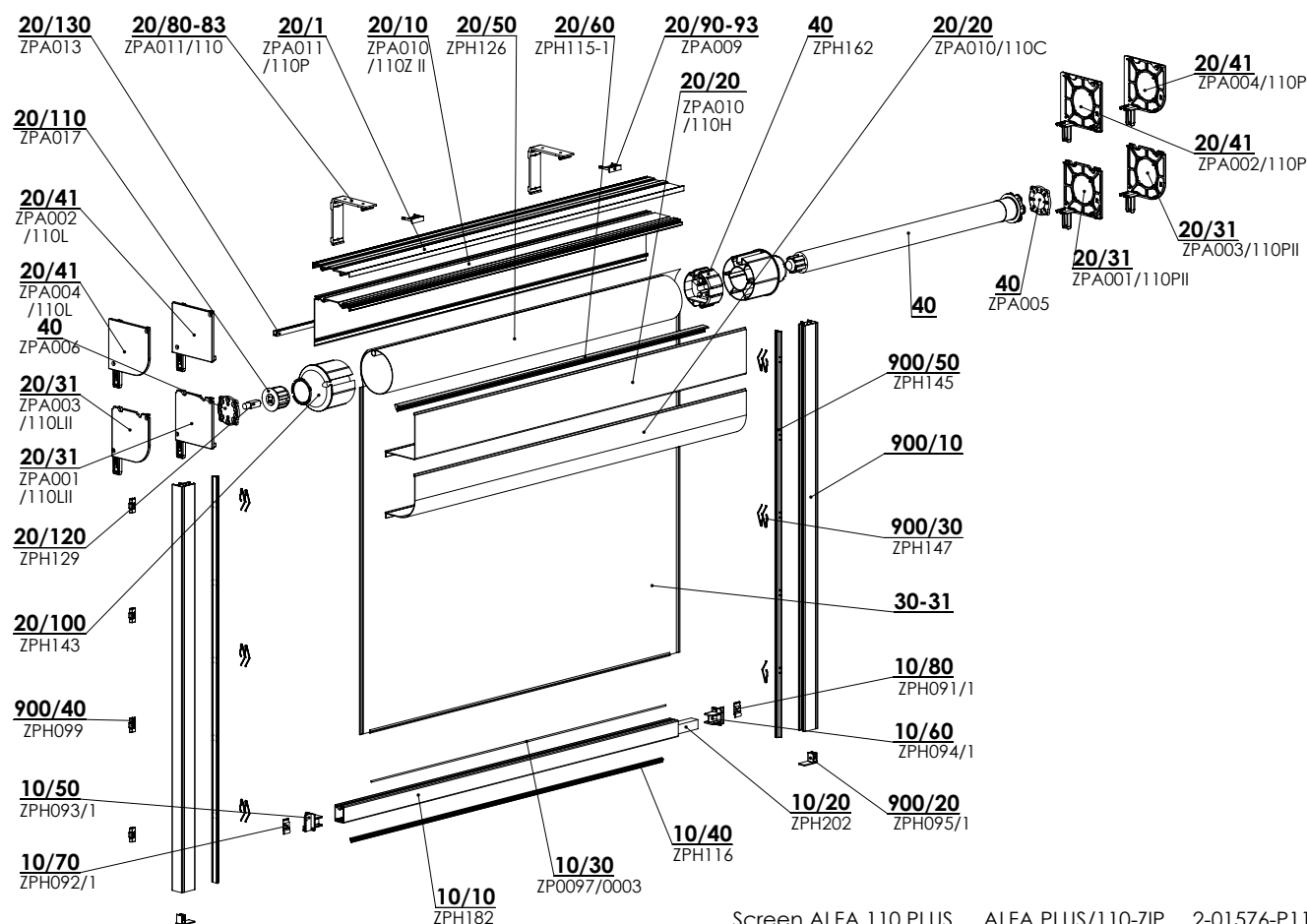


- ▲ 2 typy nowoczesnych kaset: z ostrymi rogami do surowej architektury, lub zaokrąglona do bardziej tradycyjnych budynków
- ▲ wyważona dolna listwa do prowadzenia i napięcia tkaniny
- ▲ Klasa odporności na wiatr 6
- ▲ Prosty i szybki montaż
- ▲ Gwarantowana powierzchnia do 12m<sup>2</sup>.

**ISOTRA** *Quality*

## SCREEN ALFA PLUS-ZIP

### Podstawowa specyfikacja produktu

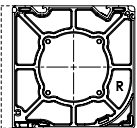
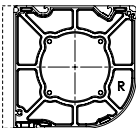
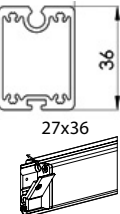
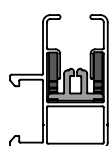
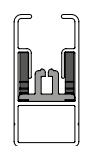
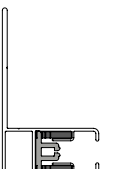
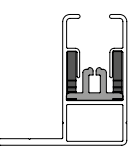
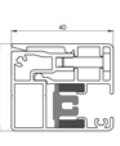


### Obsługa

Służy do spuszczenia i podnoszenia rolety ekranowej.

**Silnik** - standardowy asynchroniczny silnik rurowy Maestria Wt, lub opcjonalny asynchroniczny silnik rurowy Maestria iO.

### Specyfikacja (dla silnika)

	Kaseta		Dolny profil	Boczne prowadzenie				
	prostokątna	ćwierćokrągła	duży	listwa prowadząca				
<b>Nazwa handlowa</b>	KASETA do SCREEN ALFA PLUS 110		ZPH182	ZPA016/839	ZPA016/830	ZPH214/837	ZPA016/838	ZPA016/840
<b>Wymiar (mm)</b>	110x110	110x110	27X36	30x40	20x40	40x70	40x40	34x40
<b>Materiał</b>	Al	Al	Al	Al	Al	Al	Al	Al
								
				typ 839	typ 830	typ 837	typ 838	typ 840
<b>Kolor</b>	Standardowe: RAL 9006 jasno srebrny RAL 9006S jasno srebrna struktura RAL 9007 ciemno srebrny RAL 9007S ciemno srebrna struktura RAL 9010 biały RAL 9010M biały matowy RAL 7016 antracytowo szary RAL 7016M antracytowo szary matowy		RAL 7016S antracytowo szara struktura RAL 8014 brązowy RAL 8014M brązowy matowy RAL 7012 bazaltowy szary RAL 7021 czarno szary DB 702 Perłowo jasny szary DB 703 Perłowo ciemny szary	pozostałe kolory RAL na życzenie*				

## Standardowe wymiary

Obsługa	Szerokość (mm)		Wysokość (mm)		Gwarantowana powierzchnia (m <sup>2</sup> )
	min.	maks.	min.	maks.	maks.
Silnik iO, WT	795	4800	400	2500	12

### Materiały przeznaczone do ALFA 110 PLUS:

SLTZ86 i SLTZ92

### Normalne zjawiska związane z tkaninami technicznymi

Pofałdowanie materiału może wystąpić w okolicy zgrzewu lub pośrodku tkaniny, ponieważ podczas używania na materiał działają różne siły, dlatego to zjawisko jest normalne. Do tego należy tak zwany efekt choinki, kiedy materiał jest pofałdowany w okolicy szwów.

Widoczne odciski wałka na materiale. Znikną one przy wyższej temperaturze, kiedy materiał wyrówna się. Dolna listwa nie dojedzie aż do kasety.

**SCREEN ALFA PLUS-ZIP (2-01576-P110)**

pozycja	nazwa pozycji	Nazwa handlowa	numer rysunku
10	Profile DZIELONE + komponenty - (SCREEN ALFA +)		patrz Profile DZIELONE + komponenty - (SCREEN ALFA +)
20	KASETA dla SCREEN ALFA + 110 - ĆWIERCOKRĄGŁA		patrz KASETY dla SCREEN ALFA - 110
20	KASETA dla SCREEN ALFA+ 100 - PROSTOKĄTNA		patrz KASETA dla SCREEN ALFA+ 110
30-31	Materiał DZIELONY (m2) dla SCREEN		patrz wzornik SCREEN
40	Silniki (SOMFY, BECKER) SCREEN SC700/800		patrz Silniki (SOMFY, BECKER) SCREEN ALFA
900-910	Prowadzenie - listwa ALFA+ LEWA/PRAWA		patrz Prowadzenie - listwa ALFA+ LEWA/PRAWA

**Profile DZIELONE + komponenty - SCREEN ALFA+ 110 (3-03711-PU11)**

pozycja	nazwa pozycji	Nazwa handlowa	numer rysunku
10/10	Profil dolny - SC1000	ZPH182	6-015158-0000
10/20	Profil obciążnika listwy dolnej 20x12mm - Fe/Zn	ZPH076	6-013971-0000
10/30	Pręt plastikowy 3,0mm PVC	ZP0097/0003	6-016911-0003
10/40	Uszczelka listwy dolnej	ZPH116	6-013974-0000
10/50	Końcówka listwy dolnej - LEWA - CZARNA	ZPH093/1	3-03657-9004
10/60	Końcówka listwy dolnej - PRAWA - CZARNA	ZPH094/1	3-03656-9004
10/70	Bezpiecznik końcówki dolnej listwy - LEWA CZARNA	ZPH092/1	3-03659-9004
10/80	Bezpiecznik końcówki dolnej listwy - PRAWY CZARNY	ZPH091/1	3-03658-9004

**KASETA dla SCREEN ALFA+ 110 (2-01640-PU11 prostokątna/ 2-01641-PU11 ćwierćokrągła)**

pozycja	nazwa pozycji	Nazwa handlowa	numer rysunku
20/1	Profil Uchwyt Alfa 110 Pergola	ZPA011/110P/1	7-303888-0000
20/10	Profil Kasety Alfa 110 Tylnej	ZPA010/110Z II	7-303491-0000
20/20	Profil Kasety Alfa 110 Przedni Prostokątny	ZPA010/110H	7-303479-0000
20/20	Profil Kasety Alfa 110 Przedni Ćwierćokrągły	ZPA010/110C	7-303480-0000
20/31	Ściana boczna 110 Alfa H1-1 P N	ZPA001/110P/3	3-04130-0000
20/31	Ściana boczna 110 Alfa H1-1 L N	ZPA001/110L/3	3-04131-0000
20/31	Ściana boczna 110 Alfa K1-1 P N	ZPA003/110P/3	3-04132-0000
20/31	Ściana boczna 110 Alfa K1-1 L N	ZPA003/110L/3	3-04133-0000
20/41	Ściana boczna 110 Alfa H1 L N	ZPA001/110L/1	7-304064-0000
20/41	Ściana boczna 110 Alfa H2 P N	ZPA002/110P/1	7-304065-0000
20/41	Ściana boczna 110 Alfa H2 L N	ZPA002/110L/1	7-304066-0000
20/41	Ściana boczna 110 Alfa K2 P N	ZPA004/110P/1	7-304069-0000
20/41	Ściana boczna 110 Alfa K2 L N	ZPA004/110L/1	7-304070-0000
20/50	Wałek nawijania SC800 Al śr. 95mm - 6m	ZPH126	6-014231-0000
20/60	Profil do naprowadzania materiału ALFA	ZPH115-1	7-303663-0000
20/80-83	Uchwyt Alfa 110 Ściana-strop	ZPA011/110	3-03496-0000
20/90-93	Bezpiecznik ściana-strop	ZPA009	3-03483-0000
20/100	Kołpak wałka śr. 95mm	ZPH143	6-014237-0000
20/110	Wkładka końcówki wału - śr. 50mm	ZPA017	3-03486-9004
20/120	Kołek kołpaka wałka - 12mm Fe/Zn	ZPH129	6-013985-0000
20/130	Cienkościenny profil Al - U, 10x10x1,5	ZPA013	6-011349-0000

**Silniki (SOMFY) SCREEN ALFA (2-00530-0009)**

pozycja	nazwa pozycji	Nazwa handlowa	numer rysunku
40	Zabierak LT50 HI - śr. 95mm	ZPH162	6-014327-0000
40	Płyta łożyska płaska	ZPA005	3-03484-9004
40	Płyta łożyska z klipem	ZPA006	3-03485-9004

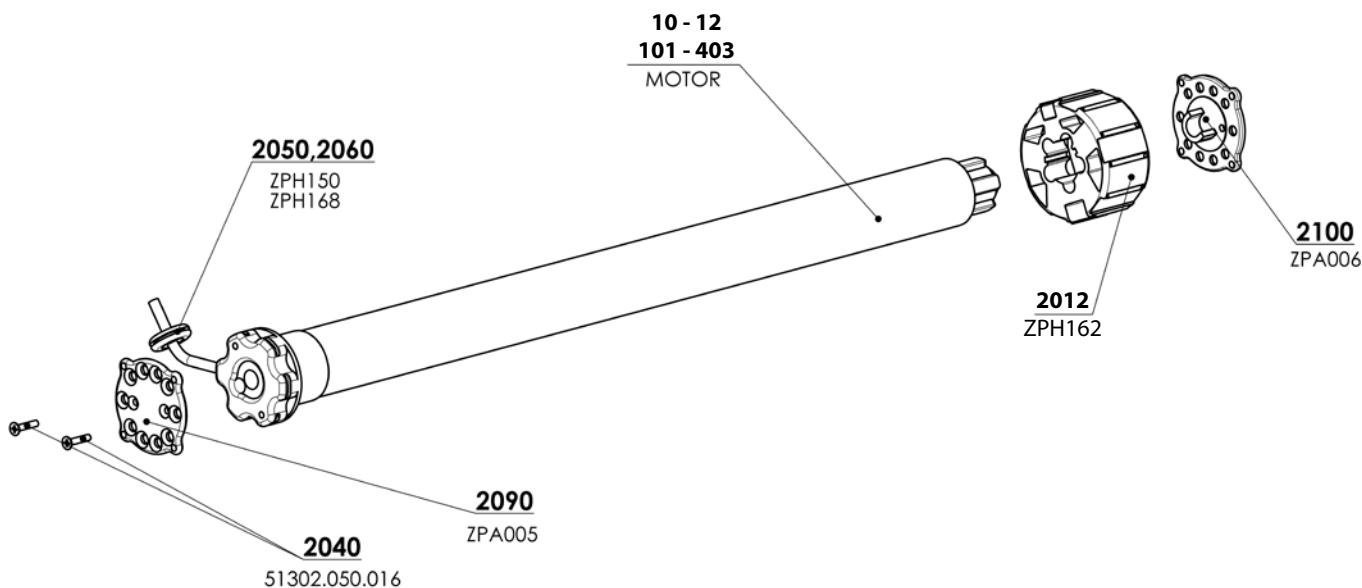
**Vedení - lišta ALFA+ LEVÉ/PRAVÉ (2-01642-PU11)**

pozycja	nazwa pozycji	Nazwa handlowa	numer rysunku
900/20	Końcówka VL - 40 mm	ZPH095/1	3-03667-9004
900/30	Sprężyna VL ZIP SC800	ZPH147	6-013992-0000
900/40	Clip VL ZIP SC800	ZPH099	6-013993-0000
900/50	Profil prowadzący SC800 do zipu v3	ZPH145	6-014155-0000



**SCREEN ALFA PLUS-ZIP**

Obsługa Silnik

**Silniki (SOMFY) Screen ALFA (2-00530-0009)**

pozycja	nazwa pozycji	Nazwa handlowa	numer rysunku
10	Silnik Geiger Solid Line Zip AIR 6/16	PR0790/06	6-015903-0006
11	Silnik Geiger Solid Line Zip AIR 10/16	PR0790/10	6-015903-0010
12	Silnik Geiger Solid Line Zip AIR 20/16	PR0790/20	6-015903-0020
301-303	Silnik MAESTRIA +50 IO	ZP0084/1	6-012538-xxxx
401-403	Maestria +50 WT	ZP0093/06	6-015258-xxxx
2040	Wkręt 4,8x19 DIN 7982, łeb wpuszcz. krzyżowy	51302.050.016	6-013928-0000
2050	Przepust kabla GUMOWY śr.7	ZPH150	6-014339-0000
2060	Zacisk kablowy 300x4,8 - CZARNY	ZPH168	6-014438-0000
2090	Płyta łożyska płaska	ZPA005	3-03484-9004
2100	Płyta łożyska z klipem	ZPA006	3-03485-9004
2012	Zabierak LT50 HI - śr. 95mm	ZPH162	6-014327-0000

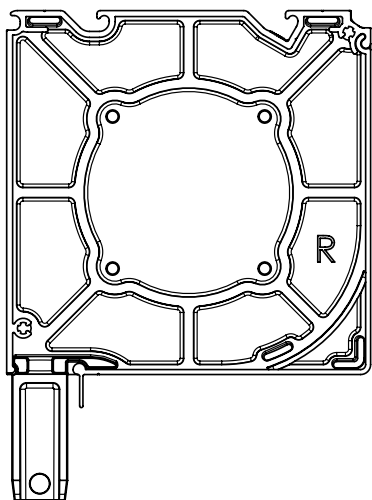
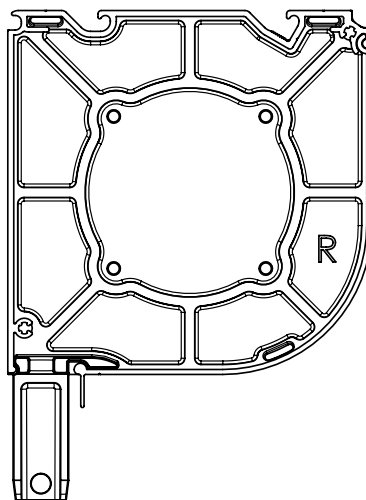
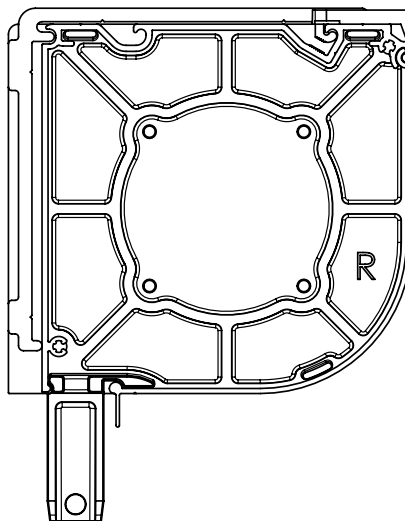
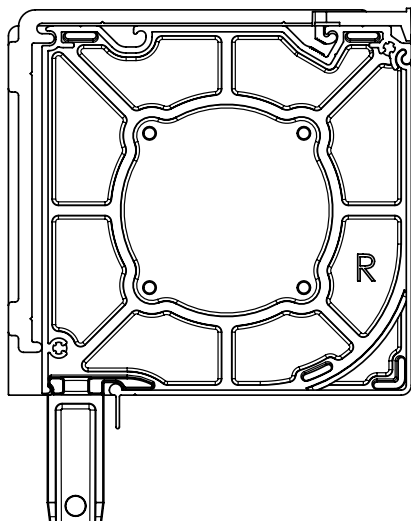
**Silniki (Becker) Screen ALFA-ZIP PLUS (6-015258 / 6-012538 / 6-002624 / 6-014483)**

pozycja	nazwa pozycji	Nazwa handlowa	numer rysunku
40	Silnik BECKER 50 E 08/17	X.2010/1301590	6-017861-0008
40	Silnik BECKER 50 E 12/17	X.2010/1301600	6-017861-0012
40	Silnik BECKER 50 E 20/17	X.2010/1301450	6-017861-0020
500	Silnik BECKER 50 Screen C 08/17 PLUS	X.2010/1302170	6-018761-0008
500	Silnik BECKER 50 Screen C 12/17 PLUS	X.2010/1302180	6-018761-0012
500	Silnik BECKER 50 Screen C 20/17 PLUS	X.2020/1301860	6-018761-0020
500	Silnik BECKER 50 Screen C 30/17 PLUS	X.2020/1301890	6-018761-0030
500	Silnik BECKER 50 Screen C 40/17 PLUS	X.2020/1301920	6-018761-0040

\*Uwaga: E=mechaniczny (wyłącznik) / C=radiowy (pilot)

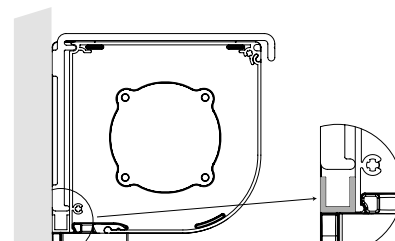
**SCREEN ALFA PLUS-ZIP**

Specyfikacja techniczna

**Kaseta prostokątna 110x110**  
(2-01640)**Profil górny - prostokątny - z rozszerzoną ścianą boczną****Kaseta ćwierćokrągła 110x110**  
(2-01641)**Profil górny - ćwierćokrągły - z rozszerzoną ścianą boczną****Tylne części kasety****Profil U- poziomy**

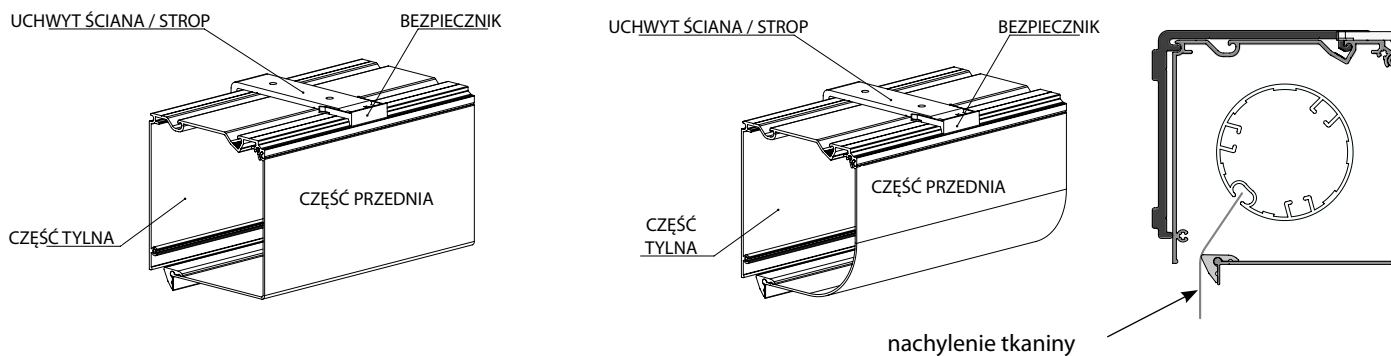
Szczelinę między kasetą i ścianą można wypełnić poziomo z pomocą profilu U o wymiarach 10 x 10 x 10 mm, długość jest dana szerokością kasety.

Przeznaczenie: - przy listwie prowadzącej A839



Profil U- poziomy

## Uchwyt ściana / strop



**Materiał:** ekstrudowane aluminium z lakierem proszkowym  
Dla instalacji wszystkich wielkości profilu górnego niezależnie od listew prowadzących:

### Standardowa liczba uchwytów ściana/strop:

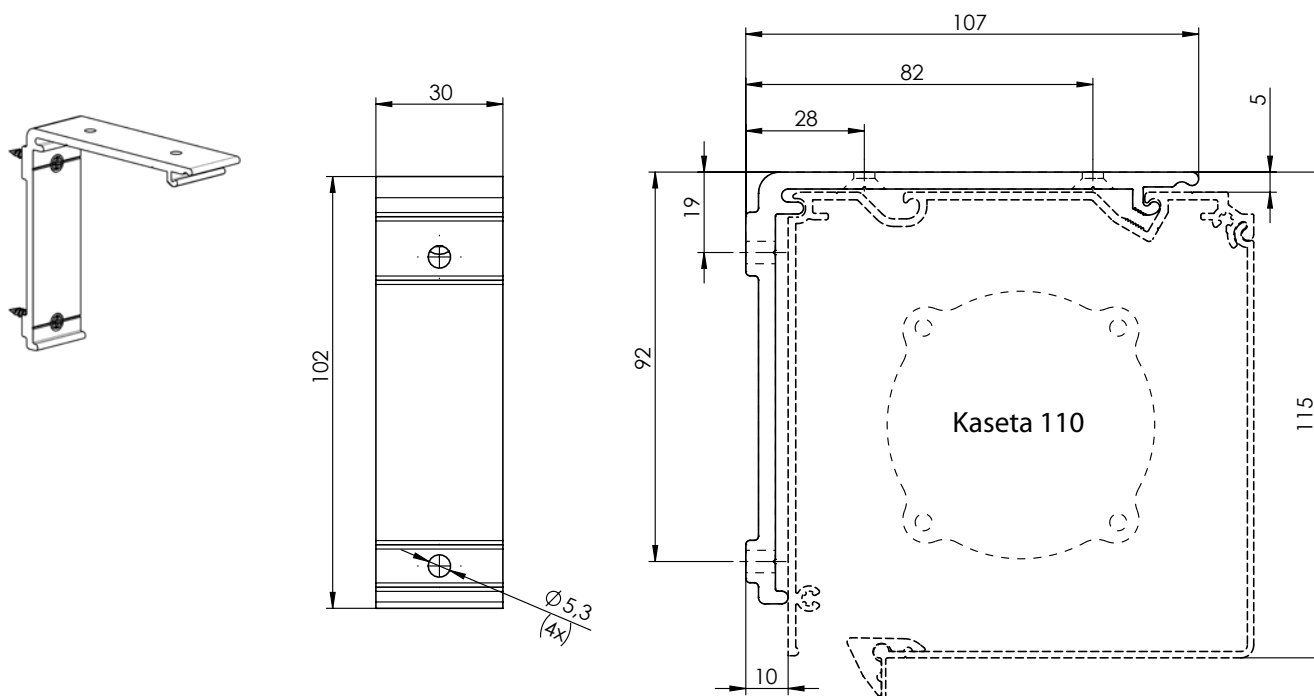
Szerokość rolety (mm)	Kaseta 110
0-1500	2ks
1501 - 3000	3ks
3001 - 4500	4ks
4501 - 5000	5ks

Jeżeli jest użyty uchwyt ściana/strop, zalecamy użycie listwy prowadzącej typu A839.

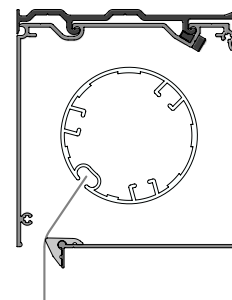
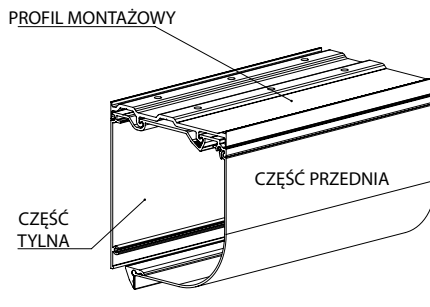
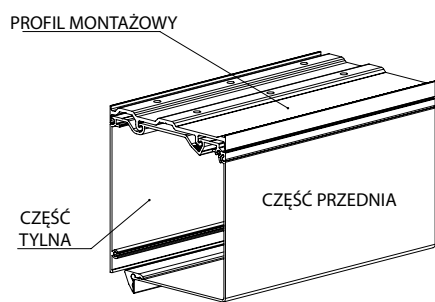
**Szerokość uchwytu ściana/strop:** 30 mm

Posuwa tylną stronę górnego profilu o 10 mm do przodu tak samo, jak zawieszenia listew prowadzących.

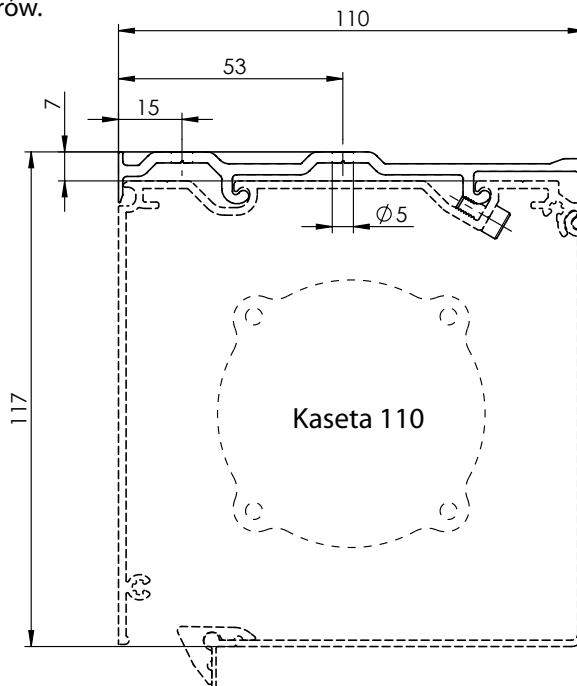
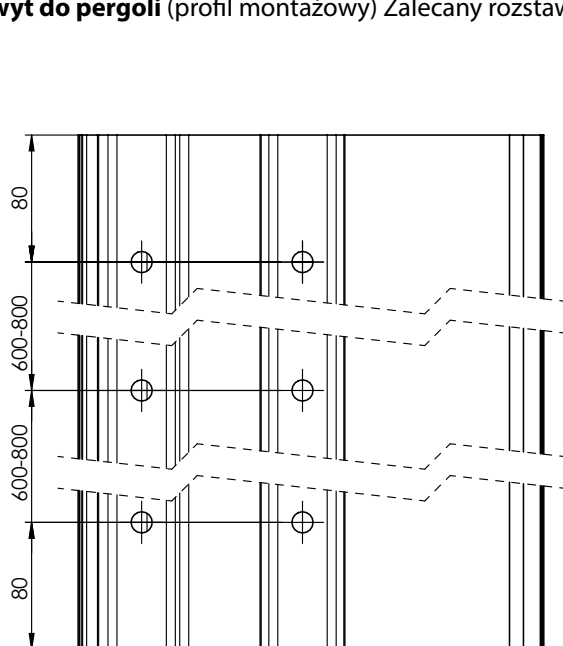
## Uchwyt ściana / strop



**Uchwyt na pergole (profil montażowy)**



**Uchwyt do pergoli (profil montażowy) Zalecany rozstaw otworów.**



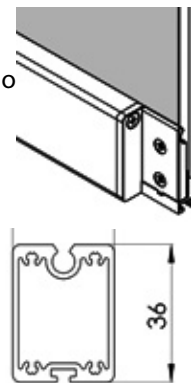
**Profil dolny (6-015158-0000)**

Dolny profil składa się z dwuczęściowego (lewego i prawego) bloku ślizgowego i profilu z ekstrudowanego aluminium lakierowanego proszkowo.

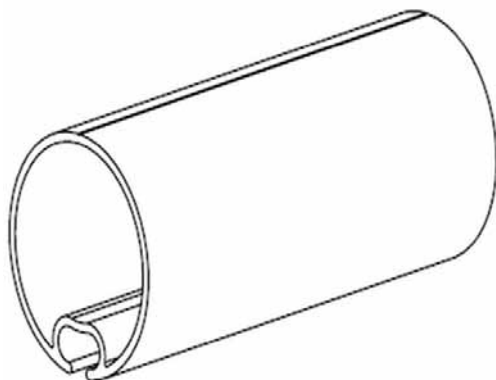
Profil posiada:

- Rowek do bezśrubowego umocowania materiału z pomocą pręta  $\varnothing 3$  mm
- Komorę na pasek usztywniający
- Rowek na spodniej stronie do włożenia gumowego zderzaka (można go zastąpić szczotką)

Podwójny blok ślizgowy zapewnia prawidłowe napięcie materiału.

**Walek nawijający, śr. 95mm**

(6-014231-0000)



Materiał: stal ocynkowana dla rur  $\varnothing 95$  mm.

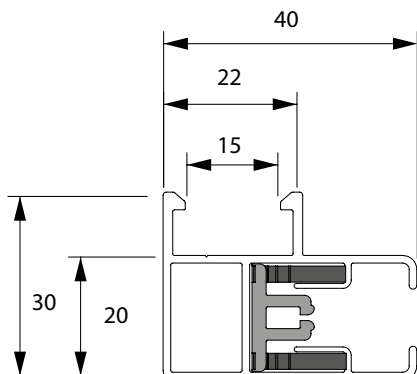
Posiada rowek do umocowania materiału z pomocą plastikowego pręta  $\varnothing 6$  mm.

## Listwy prowadzące dla silnika

**Materiał:** ekstrudowane profile aluminiowe lakierowane proszkowo

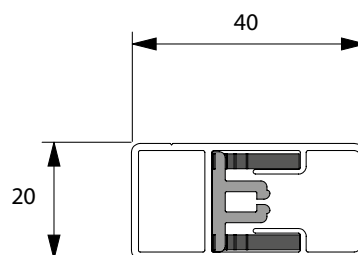
### Listwa prowadząca A839 (7-303494)

- standardowa listwa prowadząca do umocowania na zaczepy lub dla małej odległości od bocznej strony (10 mm).



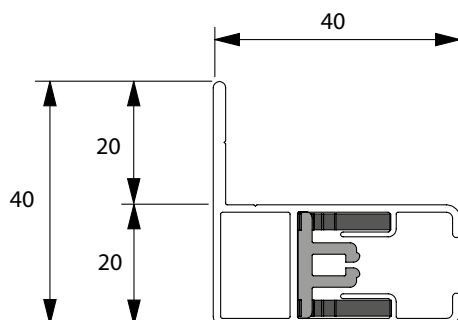
### Listwa prowadząca A830 (7-303492)

- płaska listwa prowadząca bez zaczepów.

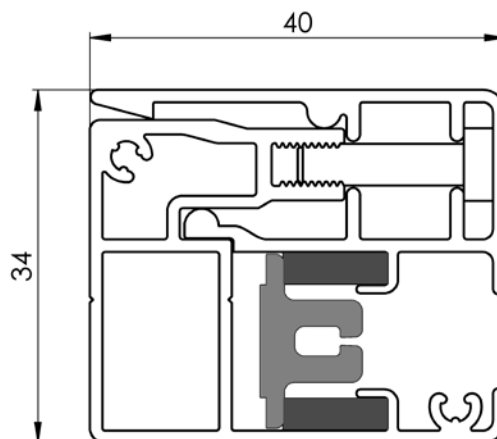


### Listwa prowadząca A838 (7-303493)

- listwa prowadząca z krótkim kołnierzem montażowym.

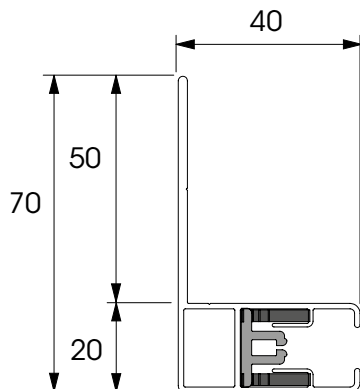


### Listwa prowadząca A840 (7-303695 + 7-303696)



### Listwa prowadząca A837 (6-018856)

- listwa prowadząca z długim kołnierzem montażowym.



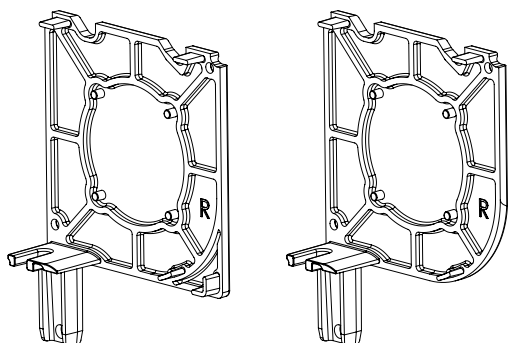
### Listwy prowadzące - wiercenie na przedniej/bocznej stronie (z obustron na krawędzi 200 mm)

do wysokości 1500 mm	2 otwory (końcowe)
powyżej 1500 mm do 3000 mm	3 otwory (2 końcowe otwory + 1 otwór w środku)
od 3000 mm do 4500 mm	4 otwory (2 końcowe otwory + 2 otwory w środku)
od 4500 mm	5 otworów (2 końcowe otwory + 3 otwory w środku)

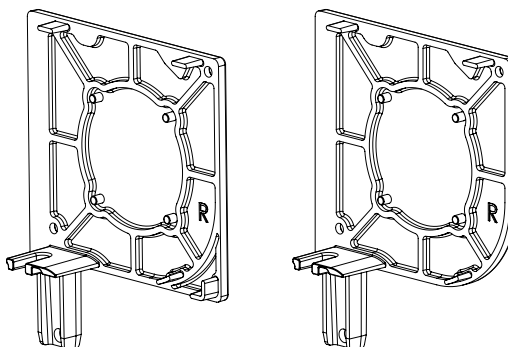
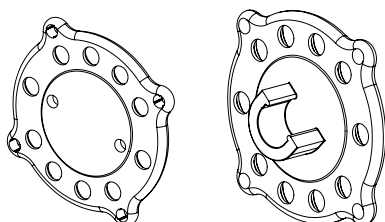
**Ściana boczna:**

**Podstawowa ściana boczna:** - aluminiowe ściany boczne z czopami - odlew ciśnieniowy,  
- aluminiowe ściany boczne kompletne z uniwersalnymi płytami nośnymi z czarnego materiału syntetycznego.

Ściany boczne do profilu montażowego



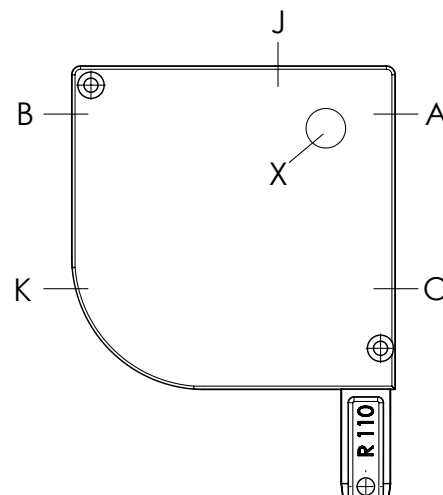
Ściany boczne do uchwytu ściana-strop

**Uniwersalna płyta nośna:****Obsługa umieszczenie - wyjście**

Typ montażu	Obsługa	O	A	X	B
		110	110	110	110
A-AE	Silnik	x	x	x	
B-BE	Silnik			x	x

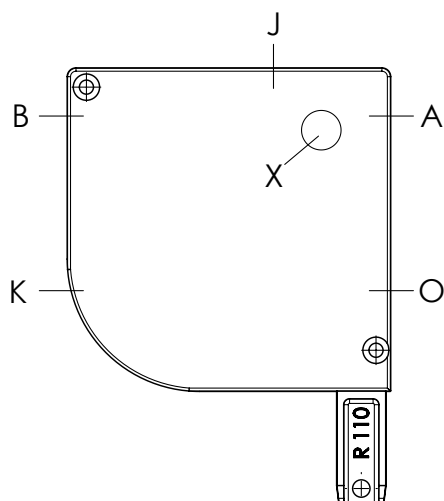
Typ montażu	Obsługa	K	J
		110	110
A-AE	Silnik		x
B-BE	Silnik	x	x

x	Tak
x	Możliwość tylko z kasetą prostokątną
J	Do montażu strop/nadproże lub użycia wewnątrz z powodu przenikania wody.
o	Nie jest możliwe

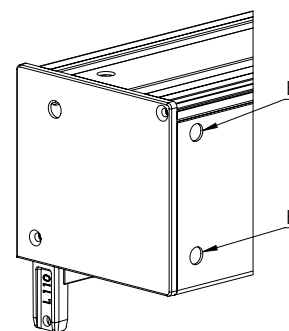
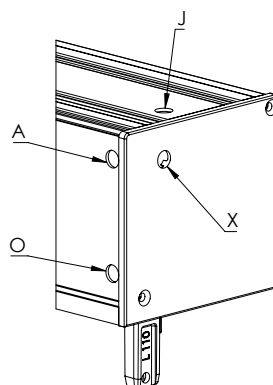
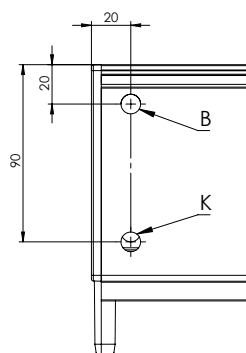
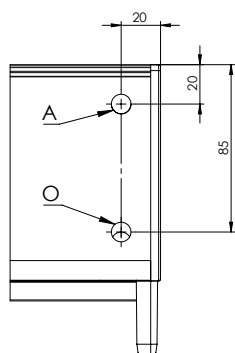
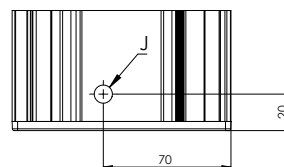
**Wyjścia do obsługi**

### Obsługa- silnik

Możliwość wyboru umieszczenia kabla



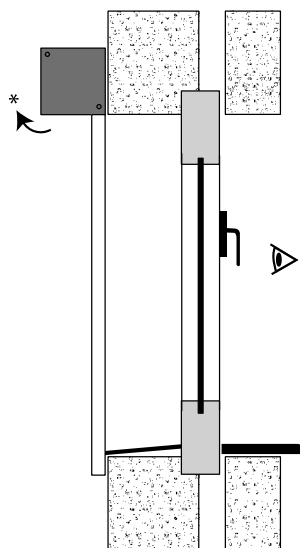
na lewo, wyprowadzenie X (ze ściany bocznej) tylko dla kasety 110 na prawo,  
wyprowadzenie X (ze ściany bocznej) tylko dla kasety 110





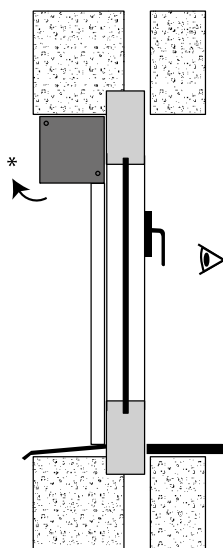
## Typ montażu

### Typ A-AE (na ścianę)

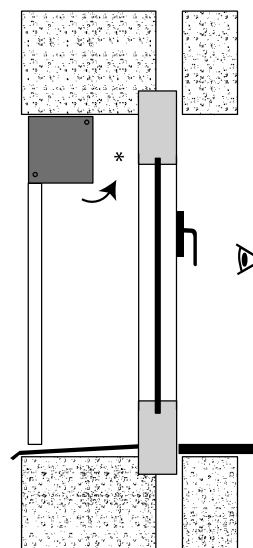


\* miejsce na oświetlenie kasety

### Typ A-AE (do szpalety)

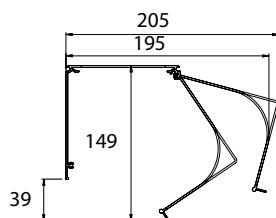


### Typ B-BE (do szpalety) \*



A - nawój do okna „A”  
(standard)  
AE - nawój do okna „AE”  
(zewnątrzna strona  
jaśniejsza)  
B - nawój od okna „B”  
BE - nawój od okna  
„BE”  
(zewnątrzna strona  
jaśniejsza)

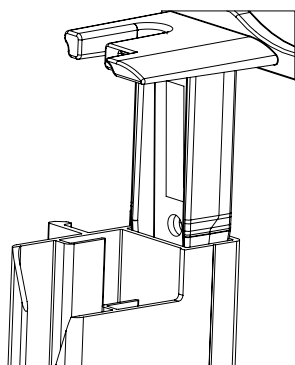
Typ 110



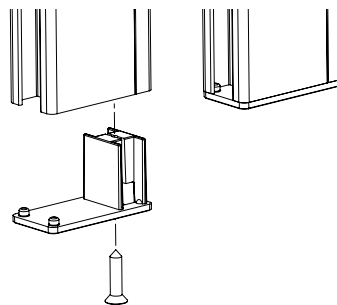
## Montaż na czopy

Kasetę montuje się do listew prowadzących. Listwy poruszają się po czopach konsoli.

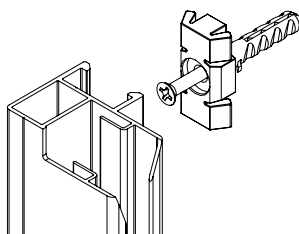
Montaż na czopy



Ogranicznik końcowy

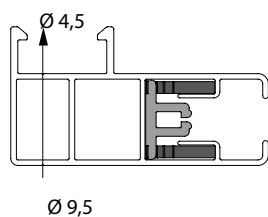


Zaczepty na listwy prowadzące A839



Z ogranicznikiem końcowym Al w kolorze czarnym; grubość 2 mm.

Niektóre listwy prowadzące mogą być dostarczone z uprzednio wywierconymi otworami na bocznej stronie. Otwory na przedniej stronie:

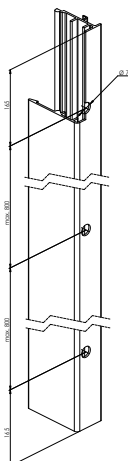


Listwy prowadzące dla wywierconych otworów na przedniej stronie:

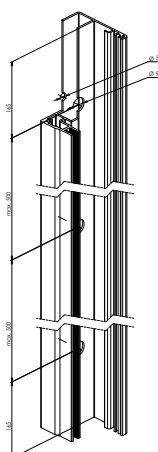
Otwory	A839	A830	A837	A838
boczna strona	x	x	-	-

A840: wiercenie na przedniej/bocznej stronie

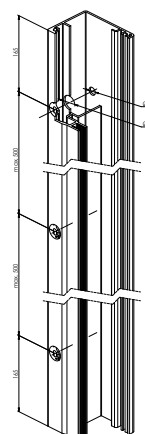
A840 wiercenie końca listwy prowadzącej

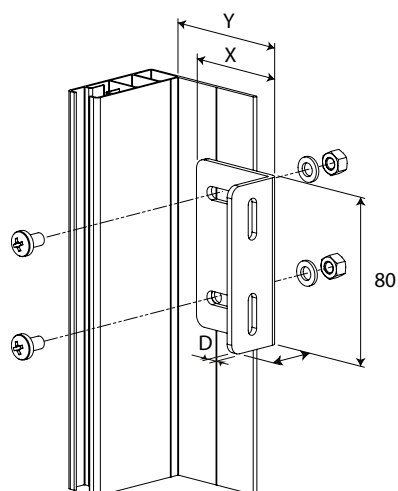


A840b wiercenie na bocznej stronie



A840c wiercenie na przedniej stronie



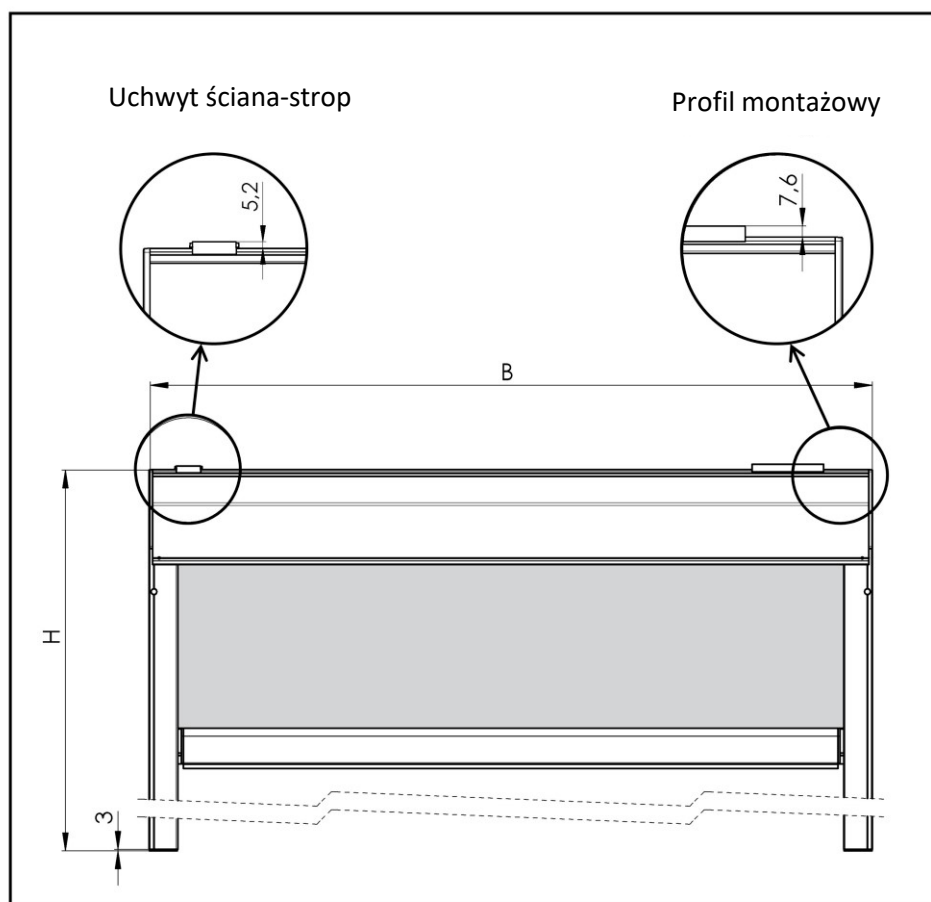
**Uchwyt na listwy prowadzące A838, A837:**

<b>X × H × D</b>	<b>X</b>	<b>Y</b>	<b>nazwa pozycji</b>
50 × 30 × 3	50	50–65	6-014549-0000
60 × 30 × 3	60	60–75	6-014550-0000
100 × 30 × 3	100	100–115	6-014552-0000
130 × 30 × 3	130	130–145	6-014542-0000

**SCREEN ALFA PLUS-ZIP****Wymiarowanie rolety ekranowej ALFA PLUS-ZIP**

Szerokość końcowa B = odległość między ścianami bocznymi.

Wysokość końcowa H = wysokość wraz z kasetą i końcówkami listew prowadzących (grubość końcówek listew prowadzących = 3 mm) z wyjątkiem uchwytu ściana/strop lub z wyjątkiem profilu montażowego.



## Montaż rolety ekranowej ALFA PLUS-ZIP

Istnieje kilka sposobów instalacji rolety ekranowej w zależności od sytuacji.

Uwaga: W przypadku samonośnej wersji rolety ekranowej należy postępować według wariantu A, metody 2.

### Wariant A: użycie uchwyty ściana / strop

**Metoda 1.** Umocowanie kasety z pomocą uchwytów ściana/strop, nasunięcie listew prowadzących na czop ściany bocznej i zabezpieczenie listew prowadzących śrubami.

**Metoda 2.** Umieszczenie kompletnego zestawu kasety i listew prowadzących do otworu okiennego lub nad nim i zabezpieczenie śrubami (stosuje się w przypadku, kiedy nie ma miejsca do nasunięcia listew prowadzących na czop ściany bocznej, np. z powodu parapetu lub w przypadku samonośnej wersji rolety ekranowej).



poziomnica

**METODA 1.** Umocowanie kasety z pomocą uchwytów ściana / strop, nasunięcie listew prowadzących na czop ściany bocznej i zabezpieczenie listew prowadzących śrubami.

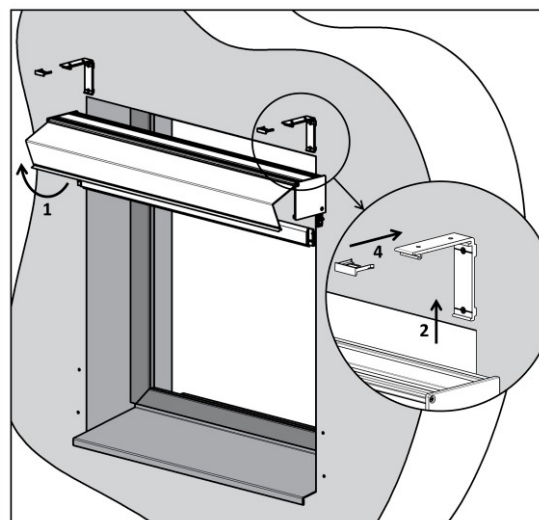
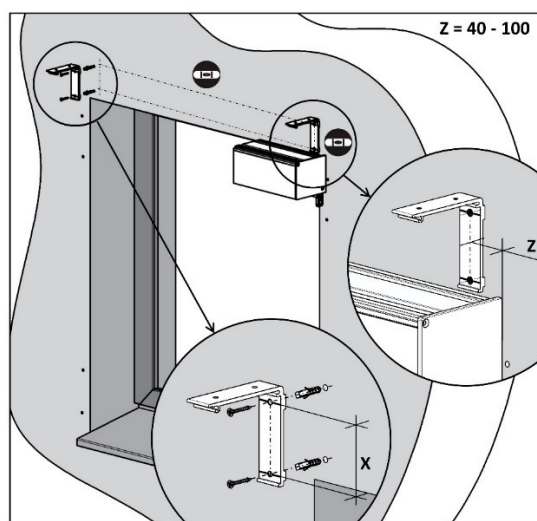
Typ kasety	X
90	52 mm
110	73 mm

### Krok 1: Wywiercenie otworów na uchwyty ściana/strop

1. Umieścić uchwyty ściana/strop na powierzchni montażowej. Górnych otworów użyć do montażu na strop a tylnych otworów do montażu na ścianie.
2. Kasety musi być doskonale pozioma, dlatego należy upewnić się, że uchwyty ściana/strop są należycie wyrównane. Do tego użyć wagi wodnej i pionu lub innego odpowiedniego narzędzia.
3. Uchwyty ściana/strop muszą być umieszczone w odległości 40-100 mm od krawędzi kasety. Jakikolwiek następnym uchwyty montuje się równomiernie wzdłuż szerokości kasety a ich celem jest zapobieżenie uginaniu szerszych kaset.

### Krok 2: Umocowanie kasety na uchwyty ściana/strop

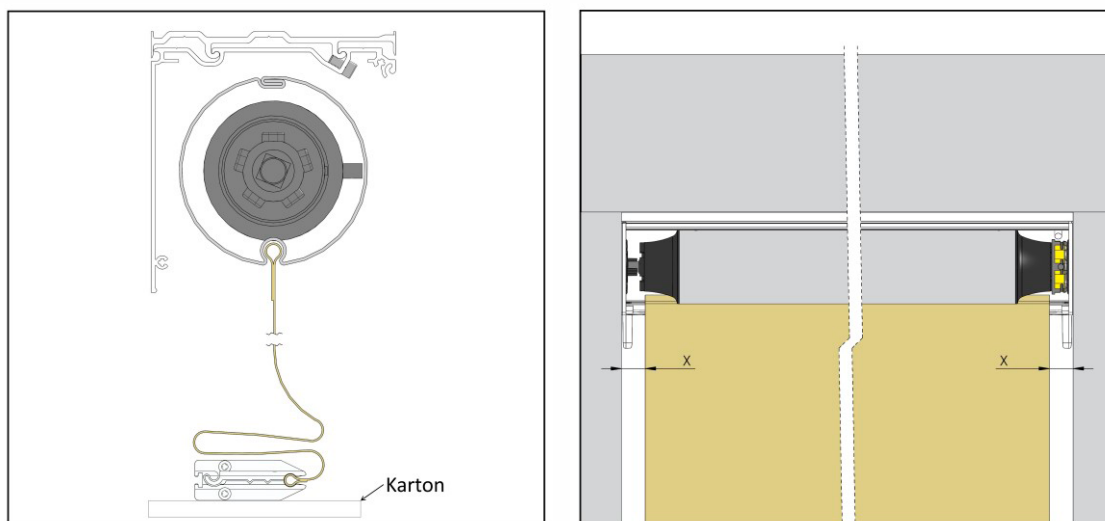
1. Zdemontować przednie wieko kasety
2. Nasadzić kasetę do uchwytów ściana/strop.
3. Upewnić się, że kasety jest prawidłowo nasadzona na wszystkich uchwytach
4. Nasadzić i wcisnąć bezpieczniki, które muszą zatrzasnąć się w prawidłowej pozycji



**Krok 3: Wycentrowanie materiału w kasecie**

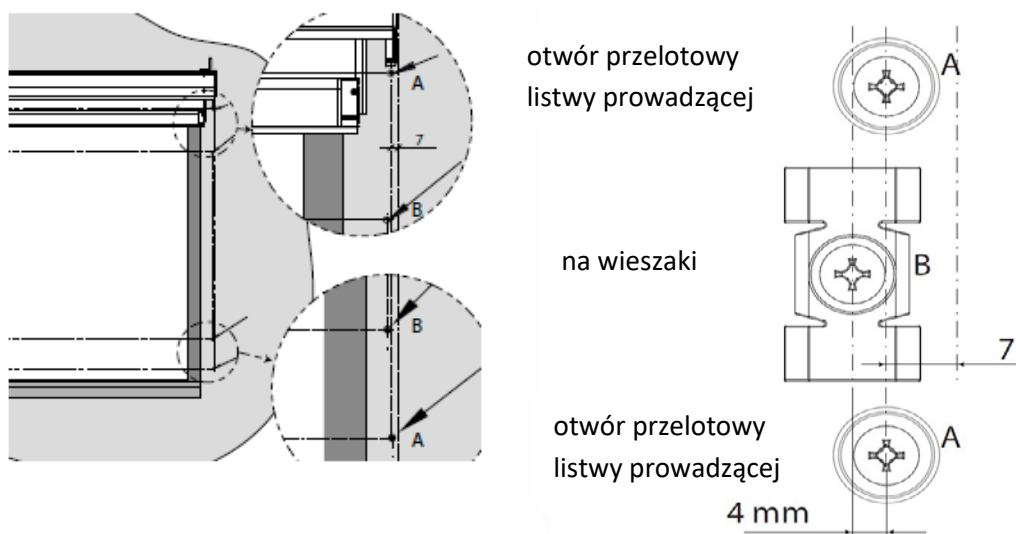
1. Zjechać z materiałem tak, aby całkowicie odwinął się z wałka (materiał zostanie nasunięty w rowku wałka). Dbać przy tym o to, aby nie doszło do zabrudzenia materiału i uszkodzenia profilu dolnego.
2. Wycentrować materiał na wałku tak, aby był na środku kasety (nie na środku wałka)
3. Skontrolować, czy materiał nawija się równo → wykonać 2-3 cykle kontrolne (UWAGA! Nie są nastawione ograniczniki końcowe na silniku!)

Kontrolę ukończyć tak, aby dolna listwa była ok. 15 cm pod kasetą

**Krok 4: Wywiercenie otworów na listwy prowadzące****Listwy prowadzące A839, A829:**

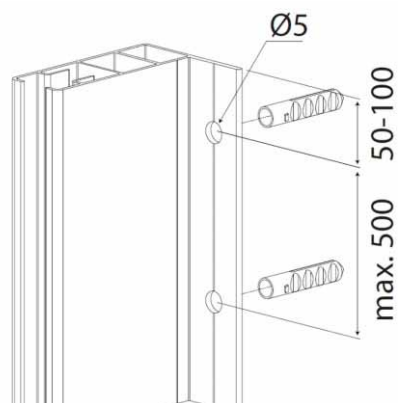
1. Na ścianie lub innej powierzchni montażowej zaznaczyć otwory, które mają być wiercone.
2. Użyć do tego nawierconych listw prowadzących.
3. A są na rysunku oznaczone otwory do umocowania listw prowadzących.
4. B są na rysunku oznaczone otwory na wieszaki.

\*A840 - patrz instrukcja montażu

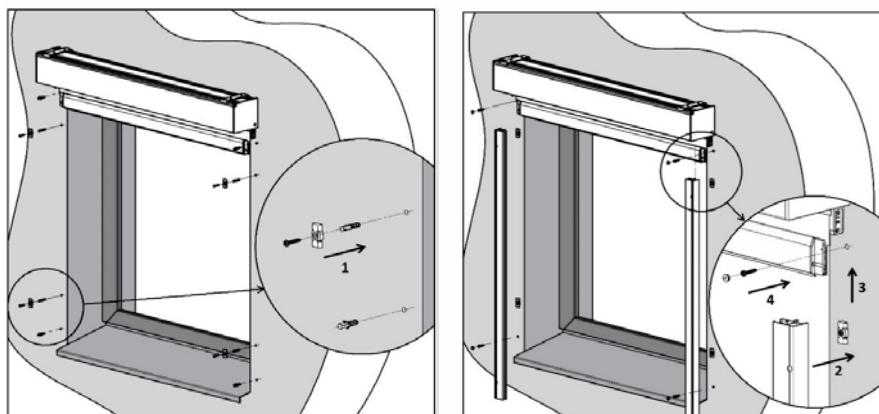


**Listwy prowadzące A830, A820:**

Do umocowania listew prowadzących A830, A820 użyć nawierconych otworów w listwach.

**Listwy prowadzące A838, A828, A837:****Krok 5: Montaż listew prowadzących****Listwy prowadzące A839, A829:**

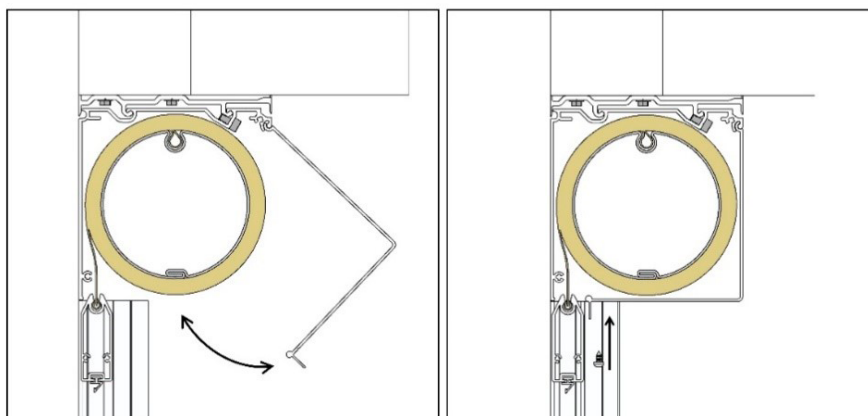
1. Umocować wieszaki na powierzchni montażowej.
2. Nasadzić czołowo listwy prowadzące na wieszaki.
3. Nasunąć listwy prowadzące na czopy ścian bocznych i upewnić się, że końcówki dolnej listwy prawidłowo zasunęły się do rowków listew prowadzących a zip na materiale zasunął się do plastikowej wkładki w listwie prowadzącej.
4. Przykręcić listwy prowadzące do powierzchni montażowej przez otwory A.

**Listwy prowadzące A830, A820, A838, A828, A837:**

Nasunąć listwy prowadzące na czopy ścian bocznych i przykręcić do powierzchni montażowej przez otwory A.

**Krok 6: Nasadzenie przedniego wieka**

Zamontować z powrotem przednie wieko kasy.



**Krok 7: Nastawienie silnika**

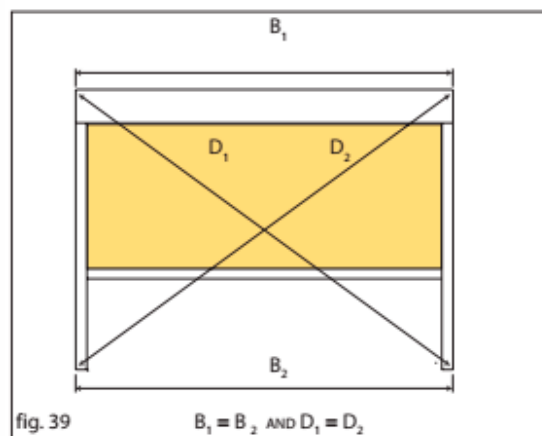
Nastawić ograniczniki końcowe silnika w zależności od typu silnika (patrz Instrukcja silnika)

**Krok 8: Kontrola montażu**

Zawsze upewnić się, że roleta jest prawidłowo zamontowana:

1. Najpierw sprawdzić, czy kasetę jest zamontowana poziomo.
2. Sprawdzić, czy obie listwy prowadzące są wzajemnie równoległe i jednocześnie prostopadłe do kasety.
3. Zmierzyć i porównać wzajemnie przekątne z dokładnością do milimetrów.

Jeżeli kasetę i listwy prowadzące nie są prawidłowo zamontowane, dolna listwa będzie zawsze nawijać się do kasety ukośnie, co spowoduje pofałdowanie materiału lub jego wrywanie z plastikowej wkładki w listwie prowadzącej.



**Metoda 2.** Umieszczenie kompletnego zestawu kasety i listew prowadzących do otworu okiennego lub nad nim i zabezpieczenie śrubami (stosuje się w przypadku, kiedy nie ma miejsca do nasunięcia listew prowadzących na czop ściany bocznej, np. z powodu parapetu lub samonośnej wersji rolety ekranowej).

**Krok 1: Wywiercenie otworów na uchwyty ściana/strop**

1. Umieścić uchwyty ściana/strop na powierzchni montażowej. Górnych otworów użyć do montażu na strop a tylnych otworów do montażu na ścianę.
2. Kasetę musi być doskonale pozioma, dlatego trzeba się upewnić, że uchwyty ściana/strop są należycie wypoziomowane. Do tego użyć wagi wodnej i pionu, lub innego odpowiedniego narzędzia.
3. Uchwyty ściana/strop muszą być umieszczone w odległości 40-100 mm od krawędzi kasety. Jakiegokolwiek następne uchwyty montuje się równomiernie wzdłuż szerokości kasety a ich celem jest zapobieżenie uginaniu się szerszych kaset.

W razie wersji samonośnej opuścić krok 1 i kontynuować od kroku 2.

**Krok 2: Wywiercenie otworów na listwy prowadzące****Listwy prowadzące A839, A829:**

1. Na ścianie lub innej powierzchni montażowej zaznaczyć otwory, które mają być wiercone. Użyć do tego nawierconych listew prowadzących.
2. A są na rysunku oznaczone otwory do umocowania listew prowadzących.
3. B są na rysunku oznaczone otwory na wieszaki.

Umocować wieszaki na powierzchni montażowej.

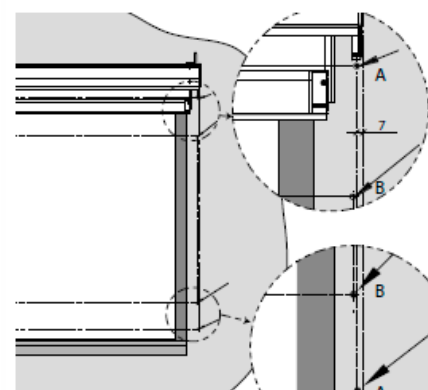
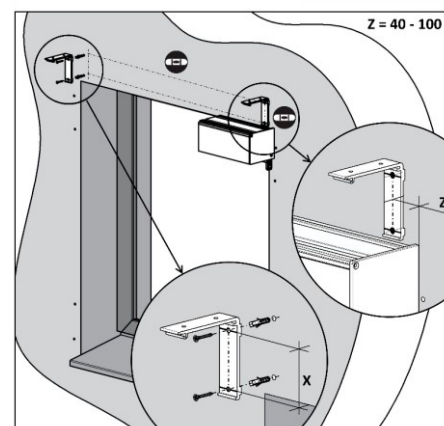
**Listwy prowadzące A830, A820:**

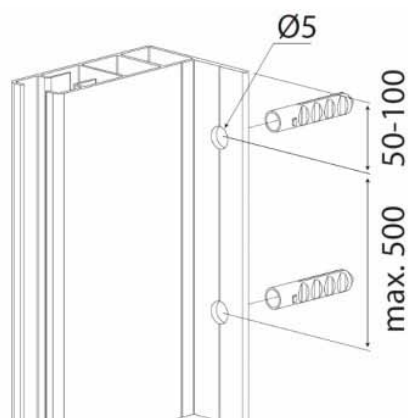
Do umocowania listew prowadzących A830, 820 użyć nawierconych otworów w listwach.



poziomnica

Typ kasety	X
90	52 mm
110	73 mm



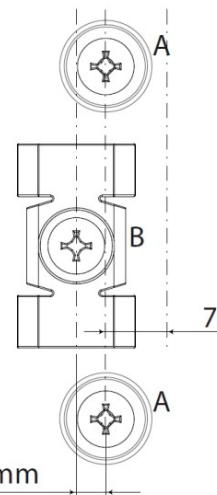
**Listwy prowadzące A838, 828, A837:**

otwór przelotowy  
listwy prowadzącej

na wieszaki

otwór przelotowy  
listwy prowadzącej

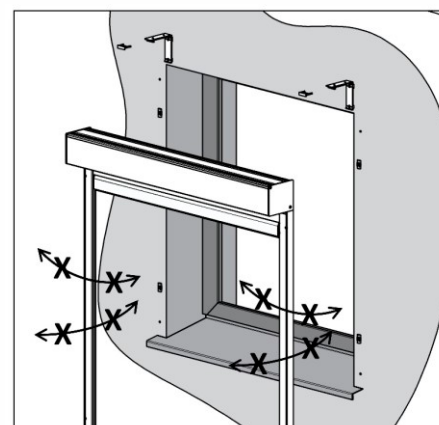
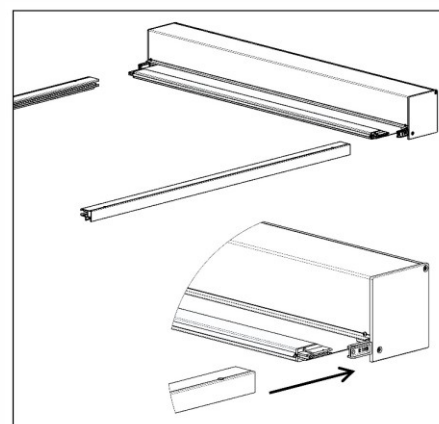
4 mm

**Krok 3: Nasunięcie listw prowadzących na czopy ścian bocznych**

1. Położyć kasetę na kartonowe opakowanie (dbać o to, aby nie uszkodzić wykończenia powierzchni).
2. Następnie nasunąć nawiercone listwy prowadzące na czopy ścian bocznych.
3. Upewnić się, że końcówki dolnej listwy są prawidłowo zasunięte do rowków listw prowadzących a zip na materiale zasunął się do plastikowej wkładki w listwie prowadzącej.

**Krok 4: Osadzenie kasety i listw prowadzących**

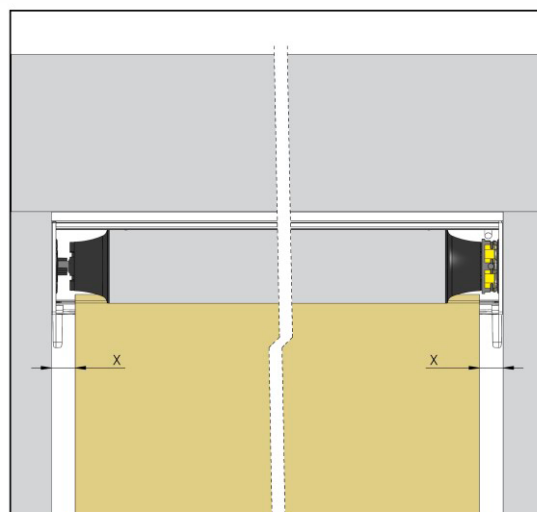
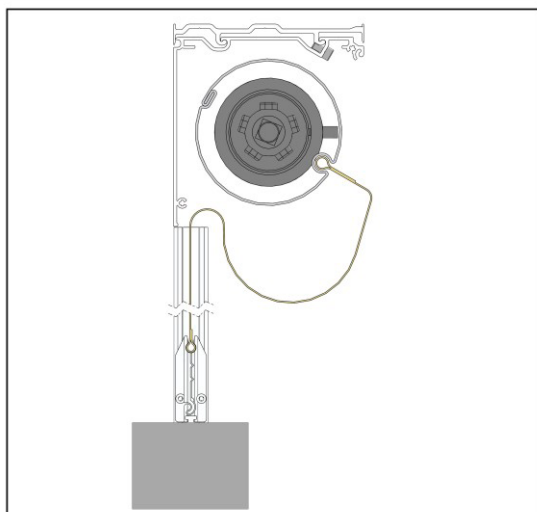
Podnieść kasetę z listwami prowadzącymi. Przeprowadzać to powinny min. 2 osoby w zależności od całkowitej szerokości kasety. Umieścić kompletny zestaw do otworu okiennego.



**Uwaga! Uważać, aby nie odłamać czopów posuwając listwy prowadzące za bardzo do przodu, do tyłu lub w bok.**

**Krok 5: Wycentrowanie materiału w kasecie**

1. Zjechać materiałem tak, aby całkowicie odwinął się z wałka (materiał zostanie nasunięty w rowku wałka). Dbać przy tym o to, aby nie doszło do zabrudzenia materiału i uszkodzenia dolnego profilu.
2. Wycentrować materiał na wałku tak, aby był pośrodku kasety (nie pośrodku wałka)
3. Skontrolować, czy materiał nawija się równo → wykonać 2-3 cykle kontrolne (UWAGA! Nie są nastawione ograniczniki końcowe na silniku!) Kontrolę ukończyć tak, aby listwa dolna była ok. 15 cm pod kasetą.





**Krok 6: Umocowanie kasety na uchwyty ściana/strop i przykręcenie listew prowadzących**

1. Nasadzić kasetę do uchwytów ściana/strop.
2. Upewnić się, że kasetka jest prawidłowo nasadzona na wszystkich uchwytach.
3. Nasadzić i wcisnąć bezpieczniki, które muszą zatrzasnąć się w prawidłowej pozycji.
4. W przypadku listew prowadzących A839,829 nasadzić je czołowo na wieszaki i przykręcić do powierzchni montażowej przez otwory A.
5. W przypadku listew prowadzących A830, 820, A838, A828 przykręcić je do powierzchni montażowej przez otwory A

**Krok 7: Nastawienie silnika**

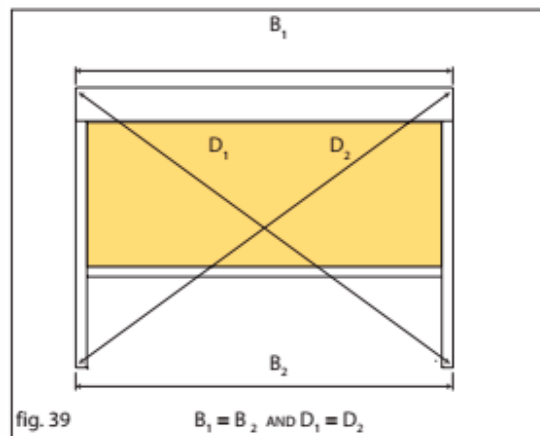
Nastawić ograniczniki końcowe silnika w zależności od typu silnika (patrz Instrukcja silnika)

**Krok 8: Kontrola montażu**

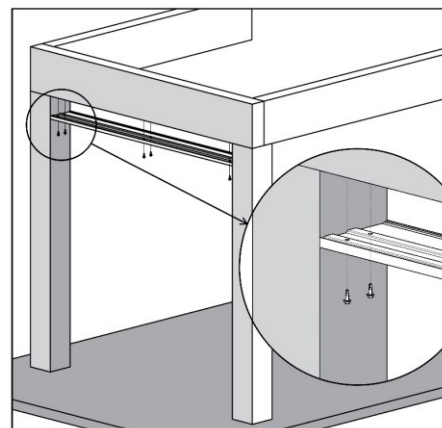
Zawsze upewnić się, że roleta jest prawidłowo zamontowana:

1. Najpierw sprawdzić, czy kasetka jest zamontowana poziomo.
2. Sprawdzić, czy obie listwy prowadzące są wzajemnie równoległe i jednocześnie prostopadłe do kasety.
3. Zmierzyć i porównać wzajemnie przekątne z dokładnością do milimetrów.

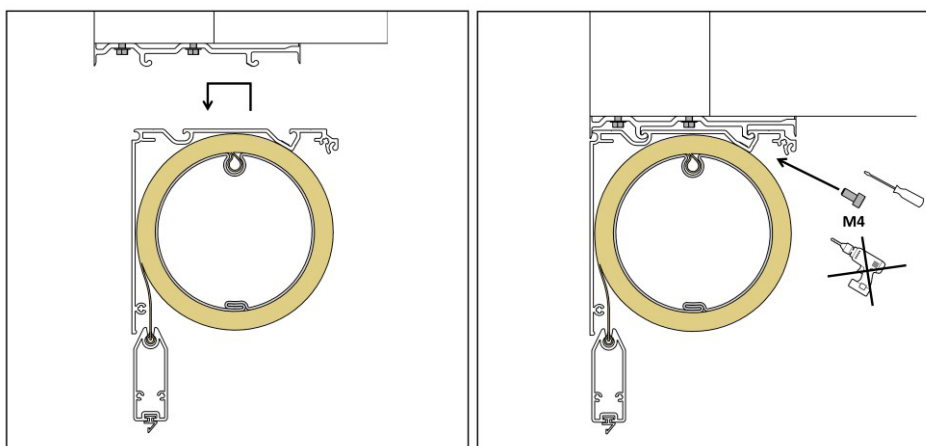
Jeżeli kasetka i listwy prowadzące nie są prawidłowo zamontowane, dolna listwa będzie zawsze nawijać się do kasety ukośnie, co spowoduje pofałdowanie materiału lub jego wyrywanie z plastikowej wkładki w listwie prowadzącej.

**Wariant B: użycie profilu montażowego****Krok 1: Umocowanie profilu montażowego**

1. Umieścić profil na powierzchni montażowej i zaznaczyć miejsca według nawierconych otworów. Powierzchnia montażowa musi być doskonale pozioma!
2. Nawiercić otwory według użytego materiału złącznego i przykręcić profil montażowy.

**Krok 2: Umocowanie kasety na profil montażowy**

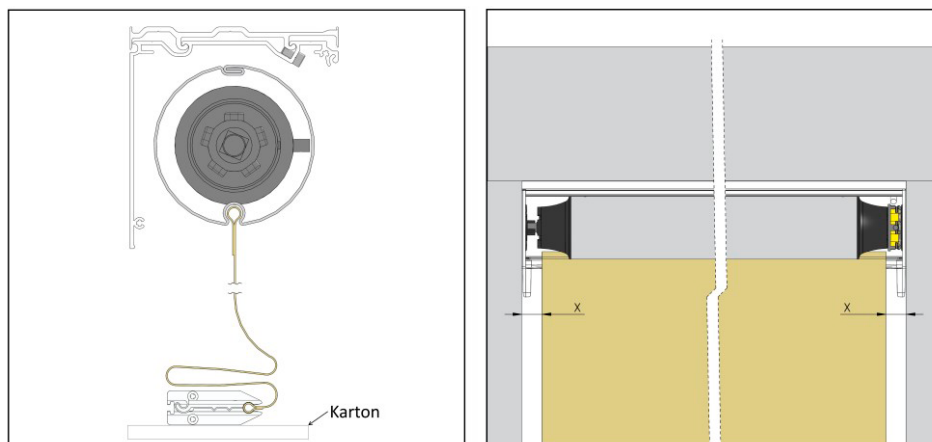
1. Zdemontować przednie wieko kasety
2. Nasadzić kasetę do profilu montażowego
3. Upewnić się, że kasetka jest prawidłowo nasadzona na całej długości w obu zamkach.
4. Przykręcić załączone śruby M4 do nawierconych otworów w kasecie.



**Krok 3: Wycentrowanie materiału w kasecie**

1. Zjechać materiałem tak, aby całkowicie odwinął się z wałka (materiał zostanie nasunięty w rowku wałka). Dbać przy tym o to, aby nie doszło do zabrudzenia materiału i uszkodzenia dolnego profilu.
2. Wycentrować materiał na wałku tak, aby był pośrodku kasety (nie pośrodku wałka)
3. Skontrolować, czy materiał nawija się równo → wykonać 2-3 cykle kontrolne (UWAGA! Nie są nastawione ograniczniki końcowe na silniku!)

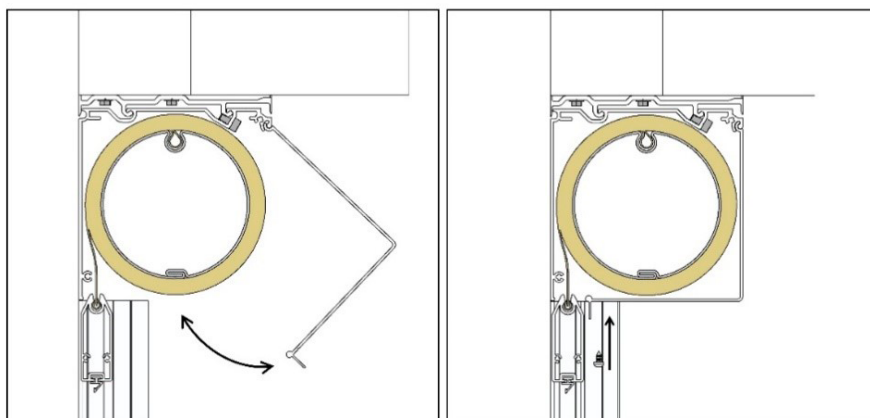
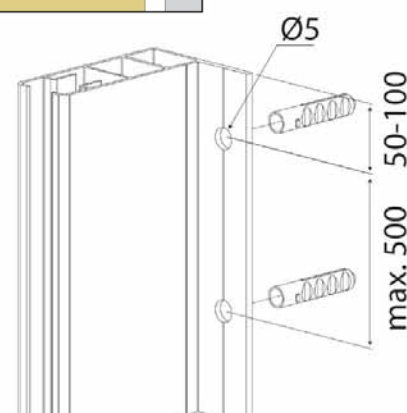
Kontrolę ukończyć tak, aby dolna listwa była ok.. 15 cm pod kaseta.

**Krok 4: Montaż listw prowadzących**

1. Nasunąć listwy prowadzące na czopy ścian bocznych.
2. Upewnić się, że końcówki dolnej listwy są prawidłowo zasunięte do rowków listw prowadzących a zip na materiale zasunął się do plastikowej wkładki na listwie prowadzącej.
3. Przykręcić listwy prowadzące.

**Krok 5: Nasadzenie przedniego wieka**

Zamontować z powrotem przednie wieko kasety.

**Krok 6: Nastawienie silnika**

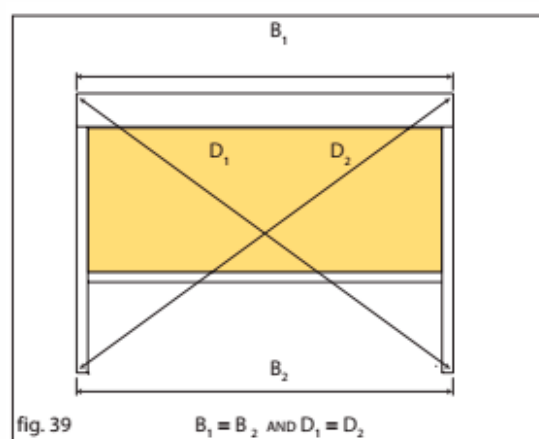
Nastawić ograniczniki końcowe silnika w zależności od typu silnika (patrz. Instrukcja silnika)

**Krok 7: Kontrola montażu**

Zawsze upewnić się, że roleta jest prawidłowo zamontowana:

1. Najpierw sprawdzić, czy kasetka jest zamontowana poziomo.
2. Sprawdzić, czy obie listwy prowadzące są wzajemnie równoległe i jednocześnie prostopadłe do kasety.
3. Zmierzyć i porównać wzajemnie przekątne z dokładnością do milimetrów.

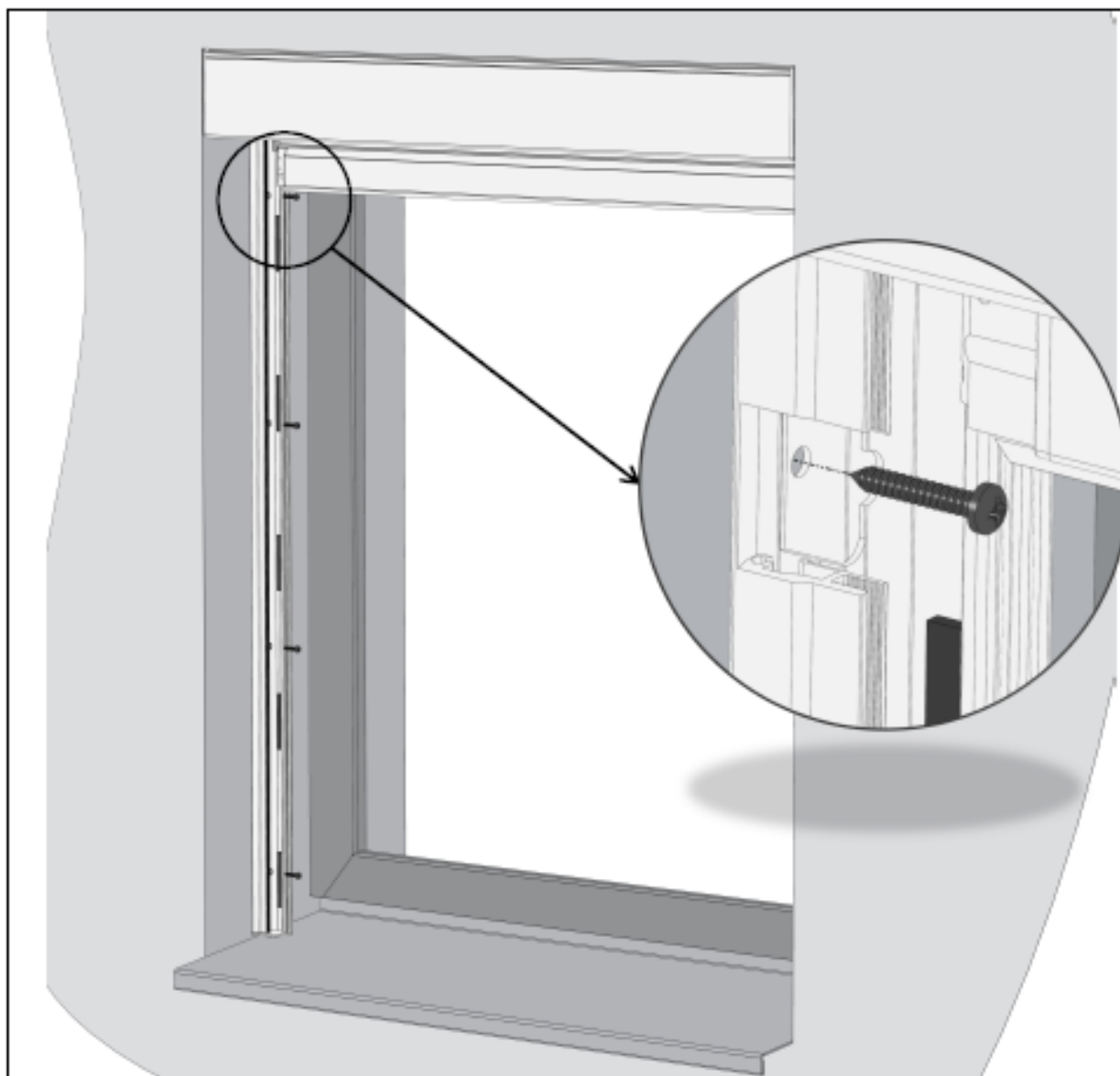
Jeżeli kasetka i listwy prowadzące nie są prawidłowo zamontowane, dolna listwa będzie zawsze nawijać się do kasety ukośnie, co spowoduje pofałdowanie materiału lub jego wrywanie z plastikowej wkładki w listwie prowadzącej.



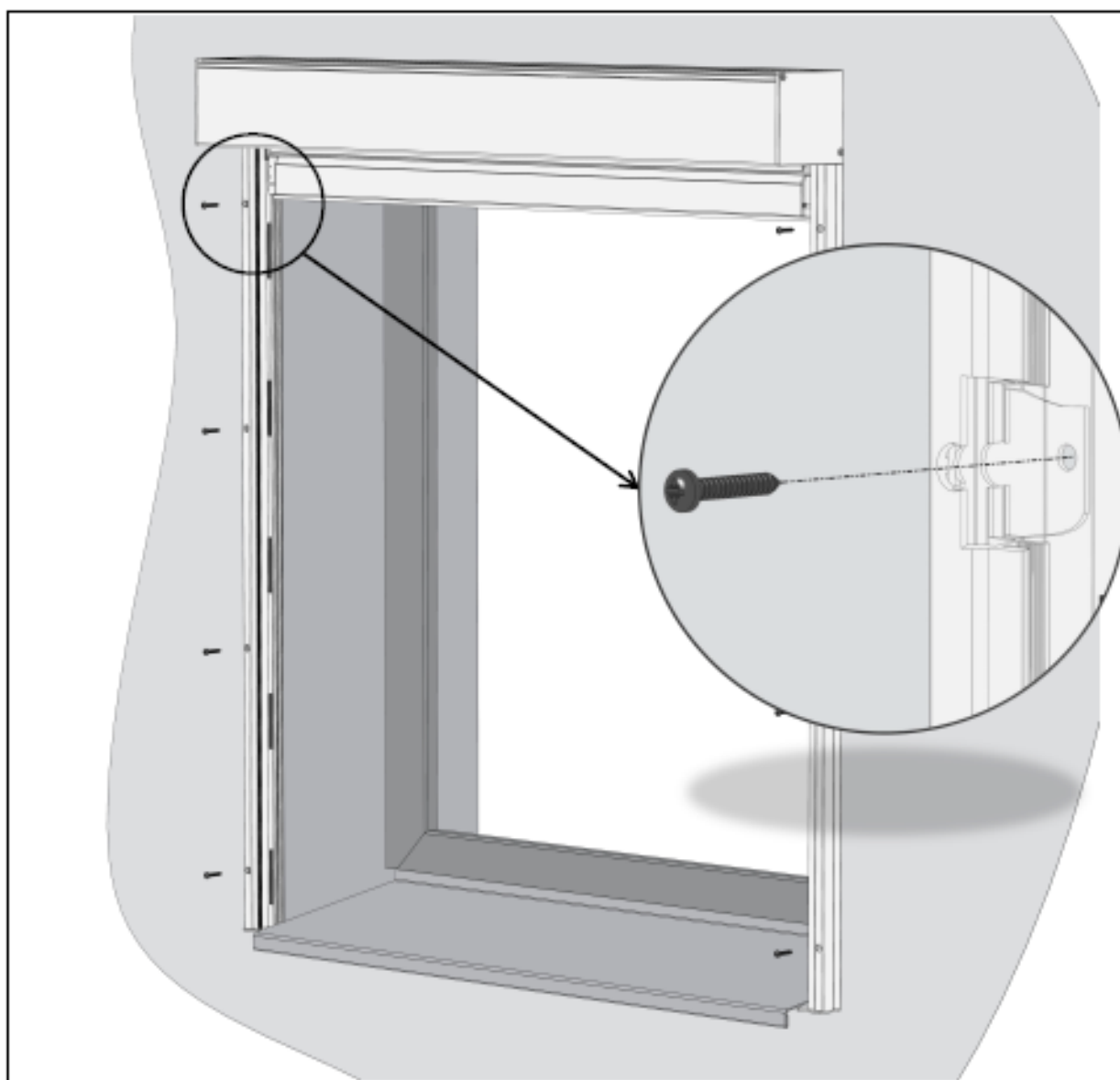
## \* Montaż - składana listwa prowadząca A840

### 1. Montaż listwy prowadzącej

#### 1.a Boczny montaż listwy prowadzącej

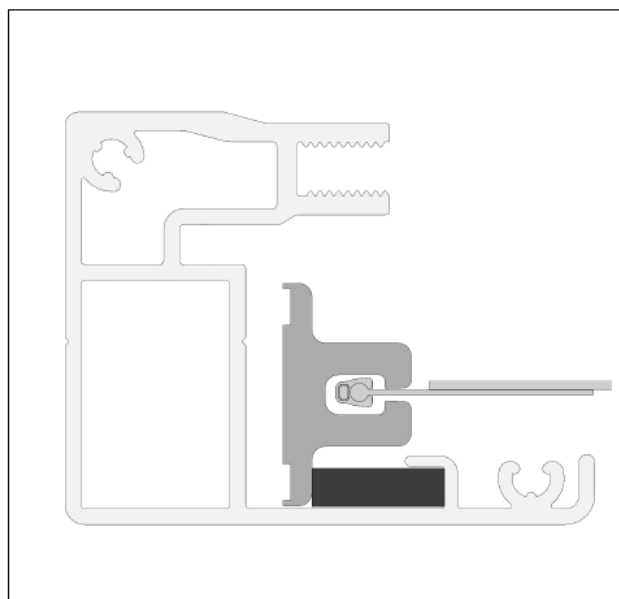
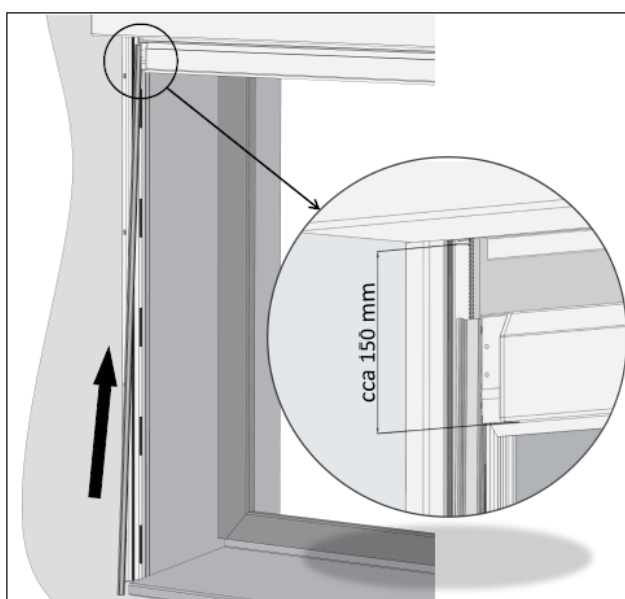


1.b Przedni montaż listwy prowadzącej

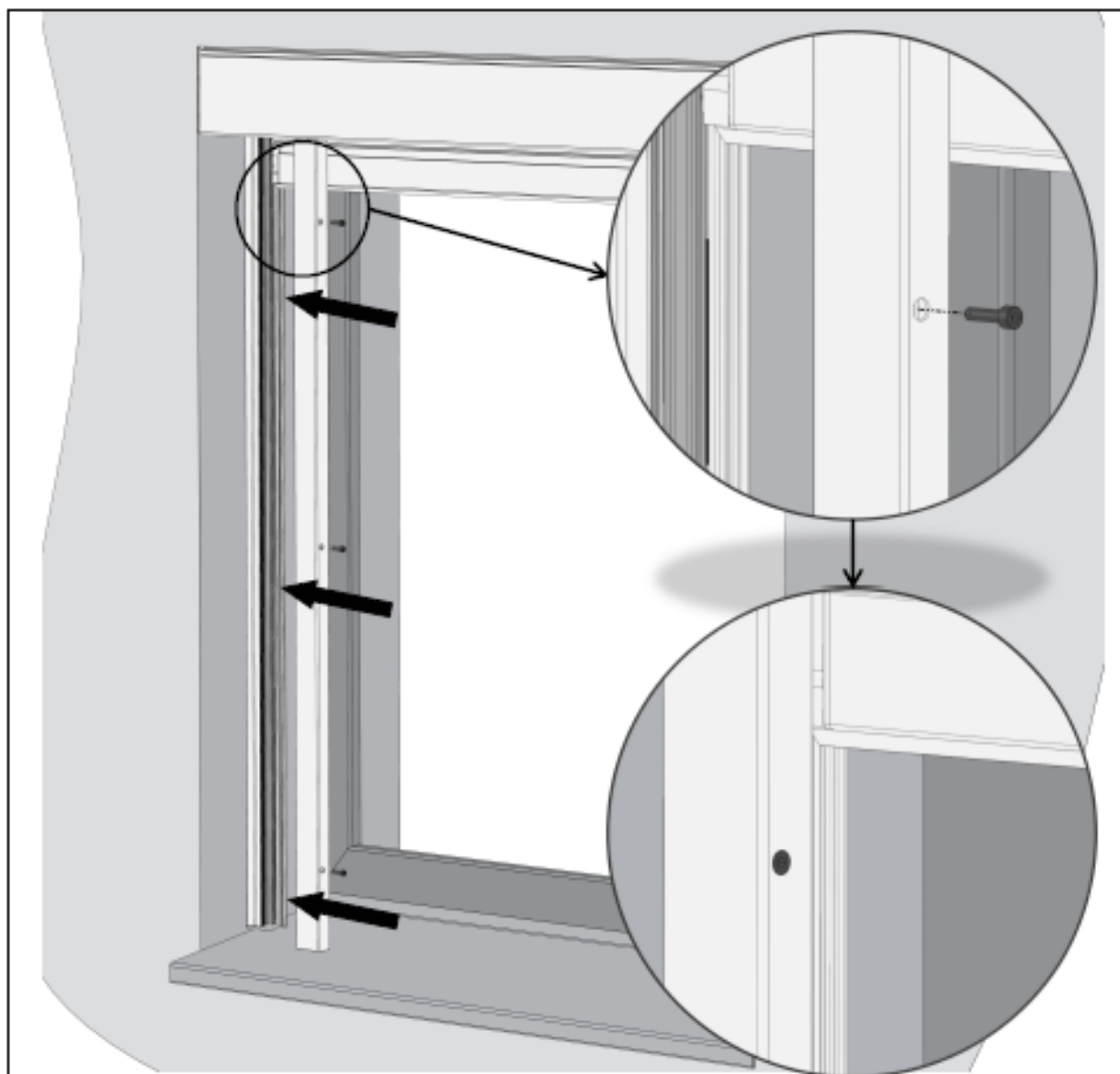


2. Nasadzenie profilu zipowego

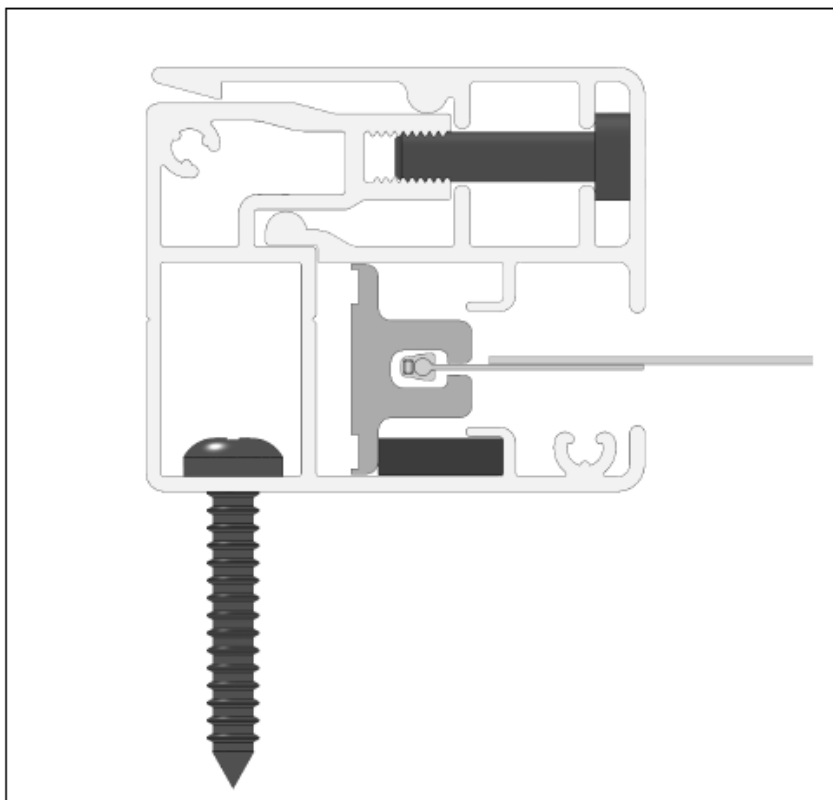
Przekrój listwy A840 po nasadzeniu profilu zipowego



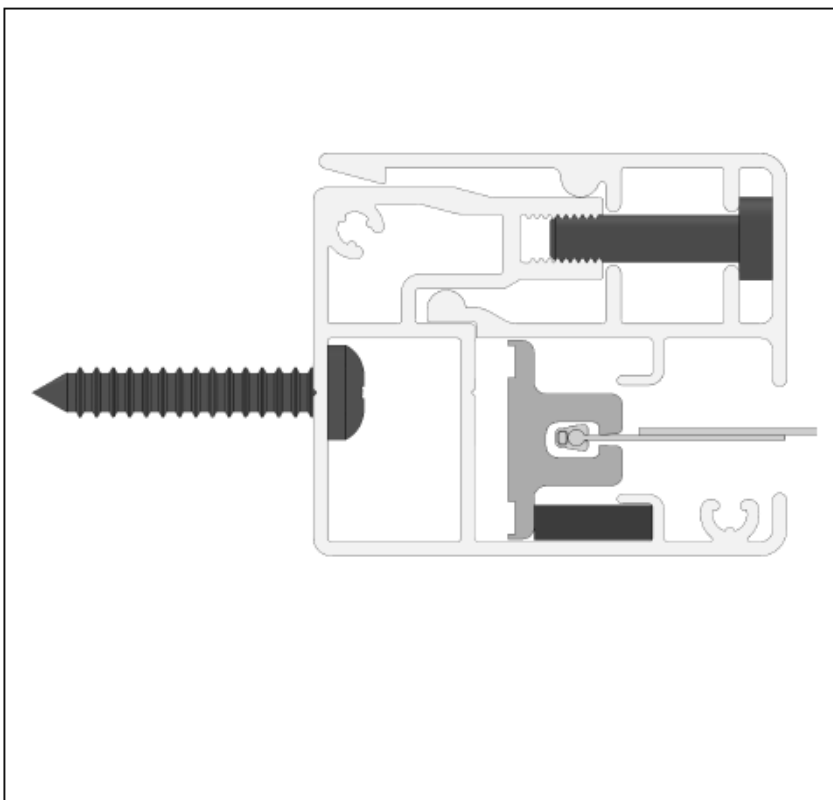
## 3. Nasadzenie zamknięcia A840



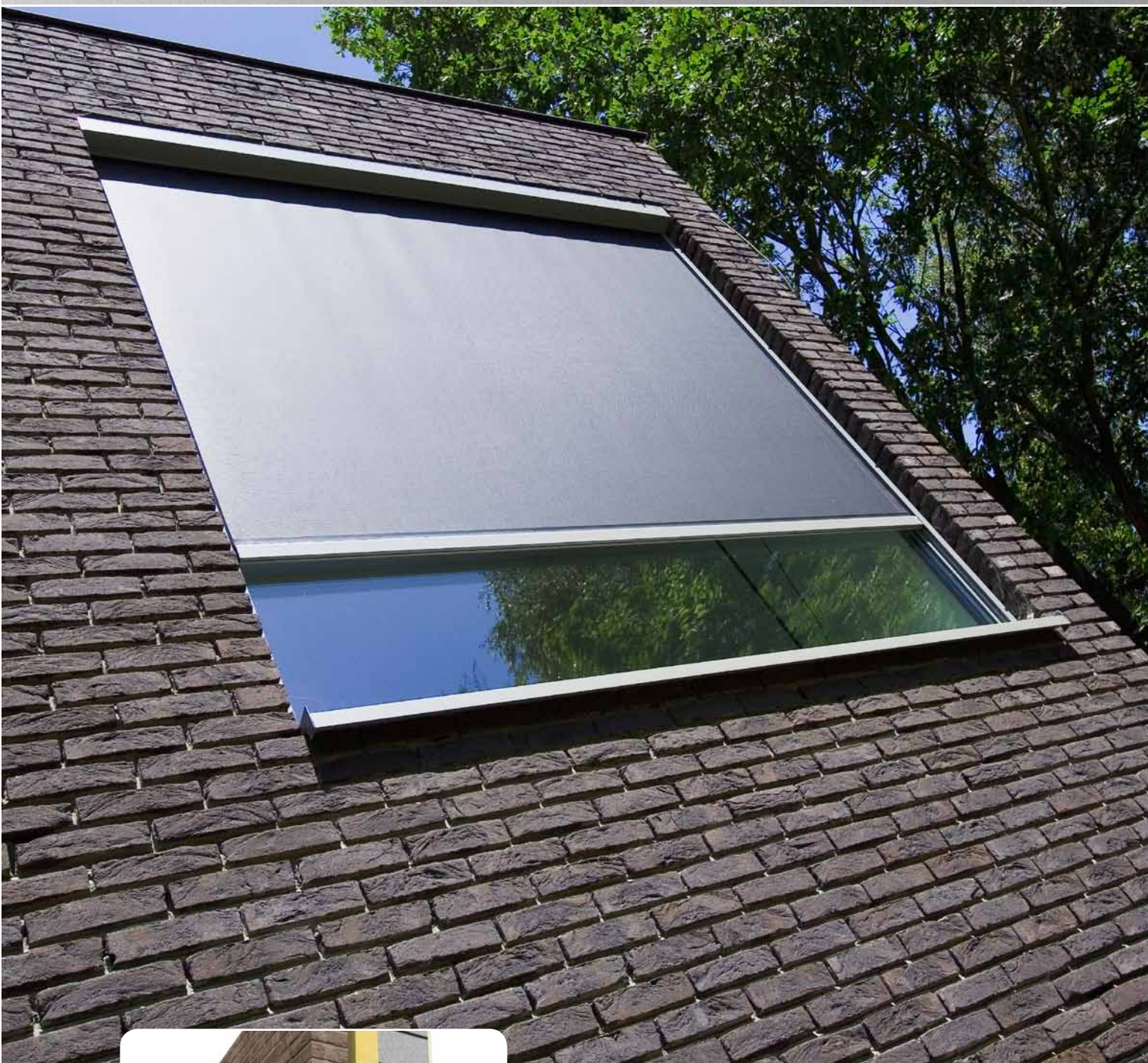
## 3.a Przekrój listwy prowadzącej A840 po montażu przednim



## 3.a Przekrój listwy prowadzącej A840 po montażu bocznym



## SCREEN HR7

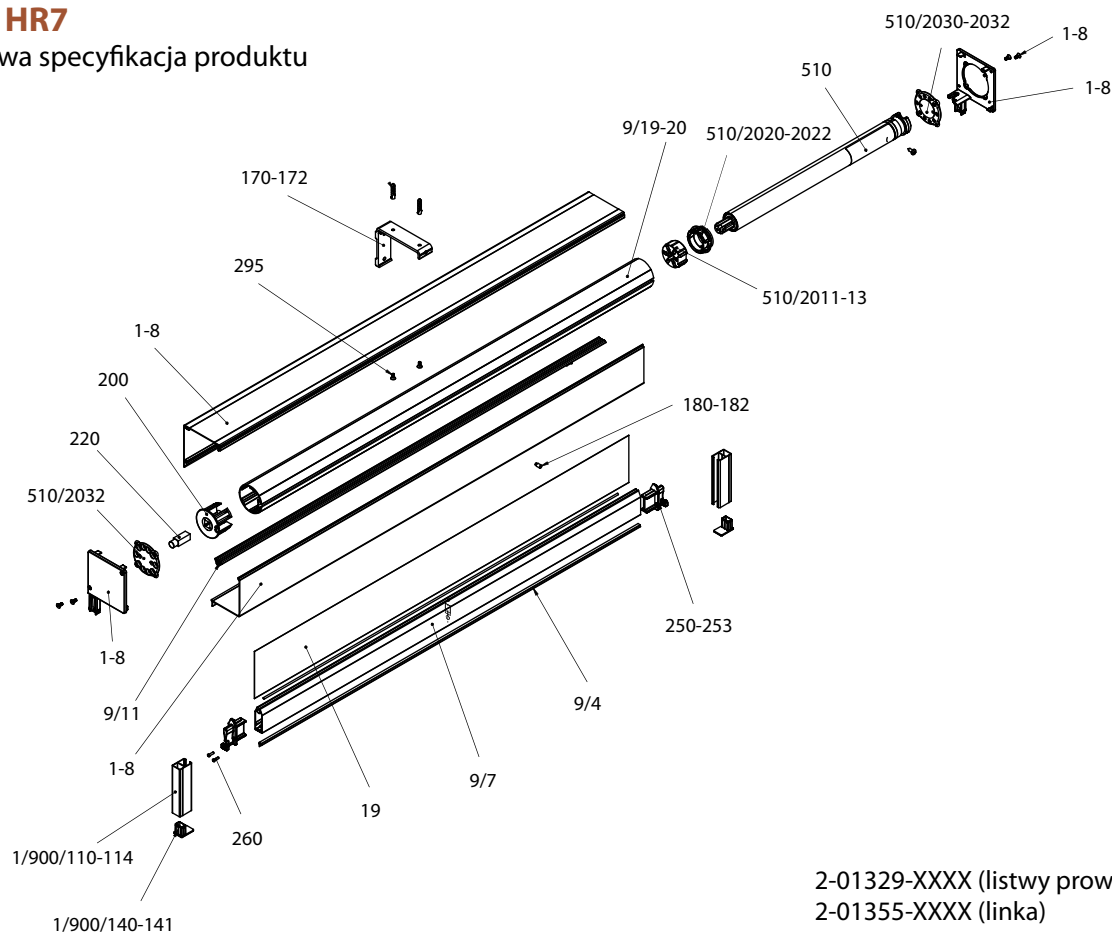


- ▲ 2 typy nowoczesnych kaset: z ostrymi rogami do surowej architektury, lub zaokrąglona do bardziej tradycyjnych budynków, oba typy dostępne w 3 wielkościach,
- ▲ wyważona dolna listwa do prowadzenia i napięcia tkaniny,
- ▲ klasa odporności na wiatr 2,
- ▲ możliwość sprzężenia do 3 sztuk rolet,
- ▲ z możliwością prowadzenia linką i listwami prowadzącymi,
- ▲ prosty montaż,
- ▲ gwarantowana powierzchnia do 14 m<sup>2</sup>.

**ISOTRA** *Quality*

## SCREEN HR7

### Podstawowa specyfikacja produktu

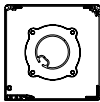
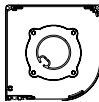
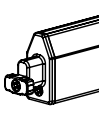
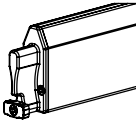

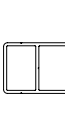


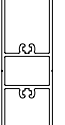



### Obsługa

Służy do spuszczenia i podnoszenia rolety ekranowej. Dla wszystkich wielkości kasety są do dyspozycji dwa typy obsługi:

- Silnik** – Sunea Screen IO, Maestria WT/io, Becker C/E, Altus RTS (min. szerokość 685 mm), dla kasety o wymiarach 70x70 można użyć tylko następujących silników: Altus 40 RTS, LS40, Sunea IO 40, Becker 40 C/E.
- Korbka** – ze ślimakiem samohamującym i kołem ślimakowym, przełożenie 1:4, wbudowany ogranicznik końcowy (zapobiega nieprawidłowemu nawijaniu materiału).

### Specyfikacja

	Kaseta		Dolny profil		Boczne prowadzenie					lanko
	prostokątna	ćwierćokrągła	mała	duży	listwa prowadząca					
Nazwa handlowa	-	-	ZPH073	ZPH074	ZPH064	ZPH063	ZPH065	ZPH066	ZPH067	
Wymiar (mm)	70x70, 90x90, 110x110	70x70, 90x90, 110x110	18x36	18x50	30x30	20x30	40x30	30x60	20x60	Ø 2,5 mm
Materiał	Al	Al	Al	Al	Al	Al	Al	Al	Al	stal nierdzewna
										
					typ 725	typ 720	typ 728	typ 755	typ 756	typ 770
Kolor	Standardowa: RAL 9006 jasno srebrny RAL 9007 ciemno srebrny RAL 9010 biały		RAL 7016 antracytowo szary RAL 7016S antracytowo szara struktura RAL 8014 brązowy		pozostałe kolory RAL na życzenie*					-

\*oprócz części plastikowych

### Standardowe wymiary

#### Standardowe wymiary dla kasety 70

Obsługa	Szerokość (mm)		Wysokość (mm)		Gwarantowana powierzchnia (m <sup>2</sup> )
	min.	maks.	min.	maks.	maks.
Korbka	400	2200	400	2800	6
Silnik LS40	510	3000	400	1800	5,4
Silnik 40 iO	565	3000	400	1800	5,4

Maks. wysokość z materiałem STNZ, STNBZ, SCR4005, SLTZB92 i SERGE 3Z wynosi tylko 900 mm



**Standardowe wymiary dla kasety 90**

Obsługa	Szerokość (mm)		Wysokość (mm)		Garantowana powierzchnia (m <sup>2</sup> )
	min.	maks.	min.	maks.	maks.
Korbka	400	3000	400	3500	9
Silnik RTS, iO, WT	685	3500	400	3500	9

Maks. wysokość z materiałem STNZ, STNBZ, SCR4005, SLTZB92 i SERGE 3Z wynosi tylko 1800 mm

**Standardowe wymiary dla kasety 110**

Obsługa	Szerokość (mm)		Wysokość (mm)		Garantowana powierzchnia (m <sup>2</sup> )
	min.	maks.	min.	maks.	maks.
Korbka	400	3500	400	3000	10
Silnik RTS, iO, WT	685	3500	400	4000	14

Maks. wysokość z materiałem STNZ, STNBZ, SCR4005, SLTZB92 i SERGE 3Z wynosi tylko 2600 mm

**Uwaga:**

Nieprzepuszczalna warstwa przy każdym typie montażu jest umieszczona na stronie okna. W przypadku montażu na zewnątrz silny wiatr może spowodować nieznaczne podnoszenie dolnej listwy i materiału.

**Normalne zjawiska związane z tkaninami technicznymi**

W okolicy zgrzewu lub pośrodku tkaniny może dojść do sfałdowania materiału, tzw. efektu choinkowego. To zjawisko jest normalne, ponieważ podczas używania na materiał działają różne siły. Następnym zjawiskiem mogą być widoczne odciski od walca na materiale. Znikną one przy wyższej temperaturze, kiedy materiał wyrówna się.

**SCREEN HR7 (2-01355-XXXX, 2-01329-XXXX)**

pozycja	nazwa pozycji	Nazwa handlowa	numer rysunku
1-8	KASETA do SCREEN 070/090/110/150 prostokątna lub czworokątna		2-01356-PU11 - 2-01363-PU11
<b>9</b>	<b>Profile dzielone</b>		<b>Patrz Profile dzielone</b>
<b>19</b>	<b>Materiał DZIELONY - (m2) do SCREEN</b>		<b>patrz wzornik SCREEN</b>
170-172	Uchwyt ŚCIANA/STROP - kasetka 110 mm - SC700/800	ZPH080	6-014342-0000
<b>510</b>	<b>Silniki (SOMFY, BECKER) Screen</b>		<b>Patrz Silniki (SOMFY, BECKER) Screen</b>
<b>900-910</b>	<b>Prowadzenie - listwa/linka - lewe - prawe</b>		<b>Patrz Prowadzenie - listwa/linka</b>

**Profile dzielone (3-03054-PU11)**

pozycja	nazwa pozycji	Nazwa handlowa	numer rysunku
4	Uszczelka listwy dolnej	ZPH116	6-013974-0000
6	Profil dolny MAŁY	ZPH073	6-014446-0000
7	Profil dolny DUŻY	ZPH074	6-014021-0000
8	Pręt plastikowy 4 mm PVC	ZP0097/0004	6-016911-0004
8	Pręt plastikowy 6 mm PVC	ZPH169	6-015096-0000
9	Pręt plastikowy 3 mm PVC	ZP0097/0003	6-016911-0003
11	Profil do naprowadzania materiału	ZPH115 -1	7-303663-0000
19	Wałek nawijający Al śr. 40mm - 6 m	ZPH122	6-014229-0000
20	Wałek nawijający Al śr. 55mm - 6 m	ZPH123	6-014027-0000
21	Wałek nawijający Al śr. 67mm - 6 m	ZPH124	6-013982-0000

**Prowadzenie - listwa/linka - lewe - prawe (2-01634-PU11L/ P)**

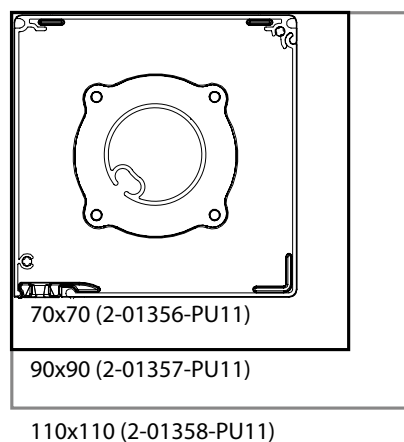
pozycja	nazwa pozycji	Nazwa handlowa	numer rysunku
110	Profil VL 720	ZPH063	6-014023-0000
111	Profil VL 725	ZPH064	6-014415-0000
112	Profil VL 728	ZPH065	6-014403-0000
113	Profil VL 755	ZPH066	6-014416-0000
114	Profil VL 756	ZPH067	6-014404-0000
140	Końcówka VL -CZARNA	ZPH094	6-014022-9004
141	Końcówka podwójna VL	ZPH093	6-014469-0000
200	Uchwyt VL 50mm	ZPH082	6-014549-0000
201	Uchwyt VL 60mm	ZPH083	6-014550-0000
202	Uchwyt VL 100mm	ZPH084	6-014552-0000
203	Uchwyt VL 130mm	ZPH085	6-014542-0000
210	Śruba M4x5, DIN 7985	51340.040.005	6-014559-0000
220	Podkładka M4, DIN 433	51930.040.001	6-014560-0000
230	Nakrętka M4 DIN 934	51080.040.001	6-014561-0000
700	Linka 2,5mm - NIERDZEWNIA	ZPH100	6-014036-0000
710	Kątownik linki KASETA typ 770	ZPH118	6-014029-0000
720	Kątownik linki KASETA typ 770 - ŚCIANA	ZPH119	6-014412-0000
730	Uchwyt linki - typ770	ZPH086	6-014033-0000
740	Śruba ustalająca M4x6, DIN 916	07930.040.006	6-006226-0000
750	Sprężyna do prowadzenia linka - typ770	ZPH098	6-014034-0000
760	Kątownik linki ŚCIANA / CZPALETA typ770	ZPH121	6-014030-0000
770	Śruba napinająca do prowadzenia linka - typ770	ZPH101	6-014035-0000
780	Nakrętka M6, DIN 439 B	51090.060.001	6-014158-0000
790	Kątownik linki PODLAHA typ770	ZPH120	6-014031-0000
800	Śruba M4x6 Zn DIN 965	51300.040.006	6-014445-0000

## SCREEN HR7

### Specyfikacja techniczna

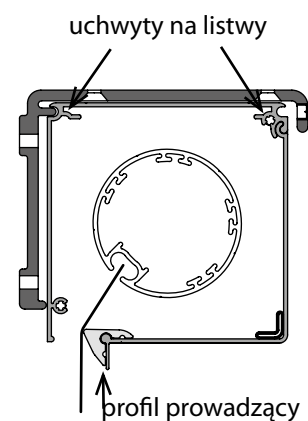
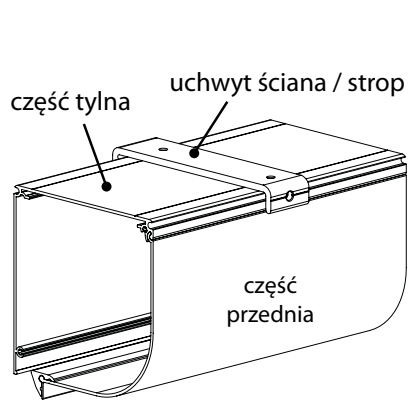
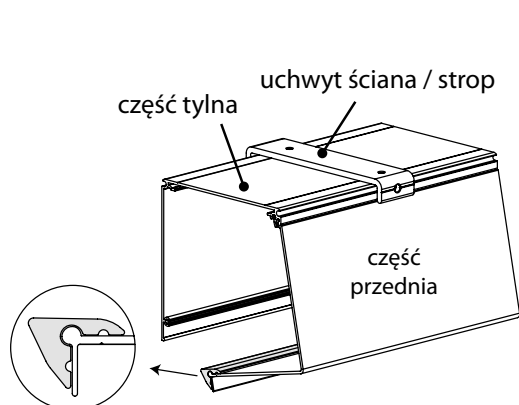
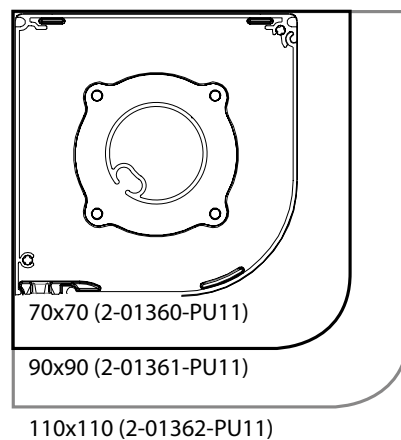
#### Profil górny - prostokątny

(2-01356, 2-01357, 2-01358)



#### Profil górny- ćwierćokrągły

(2-01360, 2-01361, 2-01362, 2-01363)

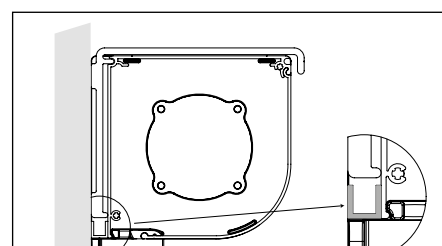


#### Tylna część kasety

##### Profil U- poziomy

Szczelinę między kasetą i ścianą można wypełnić poziomo z pomocą profilu U o wymiarach 10 x 10 x 10 mm, długość jest dana szerokością kasety.

Przeznaczenie: - uchwyt ściana / strop,

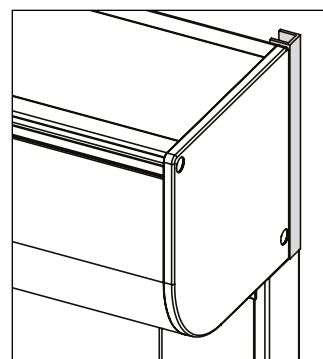


Profil U- poziomy

##### Profil U - pionowy

Szczelinę między kasetą i ścianą można wypełnić profilem (10 x 10 x 10 mm), długość jest dana szerokością kasety.

Przeznaczenie: - uchwyt ściana / strop.



Profil U - pionowy

**Uchwyt ściana/strop – kasetka 70 mm, kasetka 90 mm, kasetka 110 mm**

(6-014340, 6-014341, 6-014342)

**Materiał:** ekstrudowane aluminium z lakierem proszkowym

Dla instalacji wszystkich wielkości profilu górnego niezależnie od listew prowadzących – standardowe dla prowadzenia linką

**Szerokość:** 30 mm

Podnosi przednią stronę górnego profilu o 10 mm do przodu przy prowadzeniu linką. W przypadku prowadzenia linką lub bez prowadzenia jest konieczne zadanie umocowania ZS lub ZSTR.

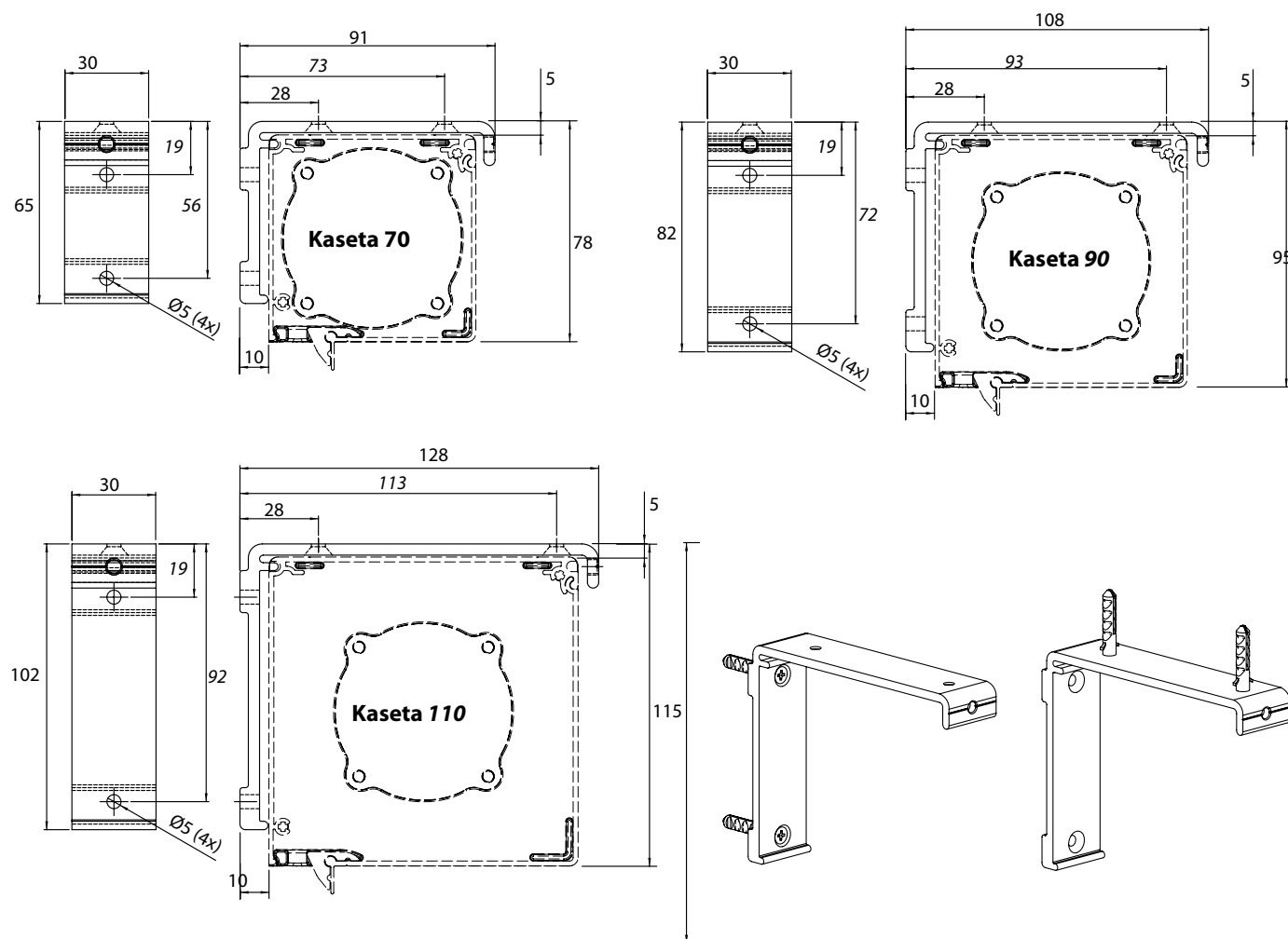
W przypadku prowadzenia listwami prowadzącymi jest konieczne zadanie umocowania =0 (trzyma na listwach prowadzących).

Standardowa liczba uchwytów ściana/strop:

Szerokość rolety (mm)	Prowadzenie	
	linka	listwa prowadząca
0 – 1500	2 szt.	0 (2*) szt.
1501 – 3000	3 szt.	3 szt.
3001 – 4500	4 szt.	4 szt.
4501 - 5000	5 szt.	5 szt.

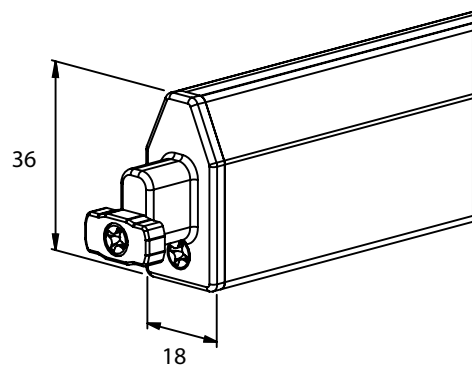
\* Jeżeli w formularzu zamówieniowym będzie zadane „uchwyt ściana/strop” zostaną dostarczone 2 sztuki uchwytu (do szerokości rolety 1500 mm roleta jest samonośna).

Jeżeli jest użyty uchwyt ściana/strop, zalecamy użycie listwy prowadzącej typu A725, A728 i A755.

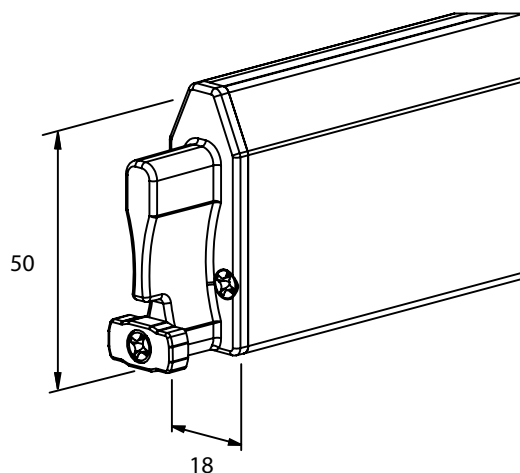


**Profil dolny mały**

(6-014446-0000)

**Profil dolny duży**

(6-014021-0000)



Materiał: ekstrudowane profile aluminiowe:

- z lakierem proszkowym
- z miejscem na pasek obciążający
- z rowkiem na materiał

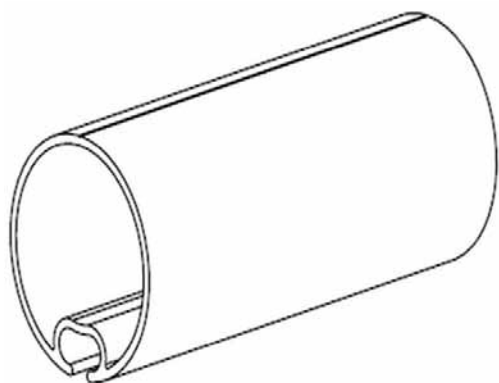
materiał jest umocowany do dolnej listwy z pomocą plastikowego pręta  $\varnothing 3$  mm. Standardowo dostarcza się mały profil dolny, opcjonalnie profil dolny duży. Opcjonalnie gumowa uszczelka w dolnym profilu.

**Końcówka listwy dolnej**

- czarny zamszowany plastik
- kształt zależy od listwy dolnej
- zdejmowane

**Wałek nawijający śr. 40mm – 6m, śr. 55mm – 6m, 67mm – 6m**

(6-014229-0000, 6-014027-0000, 6-013982-0000)



Materiał: ekstrudowane aluminium ( $\varnothing 40$ ,  $\varnothing 55$  lub  $\varnothing 67$  mm).

Posiada rowek do umocowania materiału z pomocą plastikowego pręta  $\varnothing 4$  mm do rury  $\varnothing 40$  mm,  $\varnothing 55$ ,  $\varnothing 67$  mm.

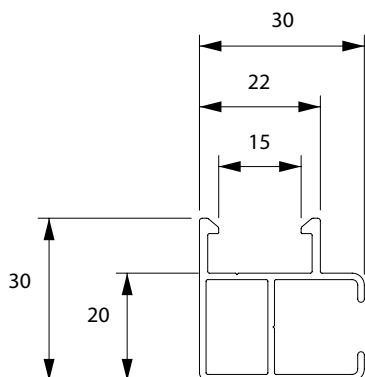
Można użyć różnych typów wałków nawijających w zależności od typu obsługi i typu kasety: rury  $\varnothing 40$  mm (oprócz napędu elektrycznego),  $\varnothing 55$  mm i  $\varnothing 67$  mm

## Listwy prowadzące

**Materiał:** ekstrudowane profile aluminiowe lakierowane proszkowo

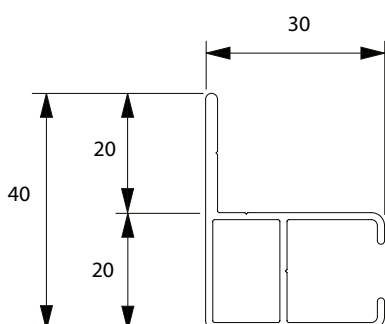
### Listwa prowadząca T725 (6-014415-0000)

- standardowa listwa prowadząca do umocowania na zaczepy lub dla małej odległości od bocznej strony (10 mm).



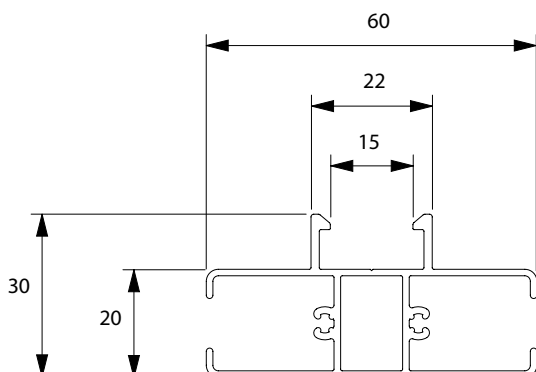
### Listwa prowadząca T728 (6-014403-0000)

- listwa prowadząca z krótkim kołnierzem montażowym.



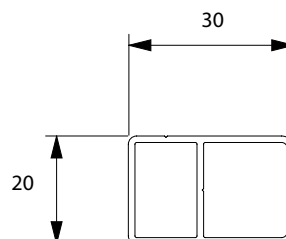
### Listwa prowadząca T755 (6-014416)

- pomocnicza listwa prowadząca.



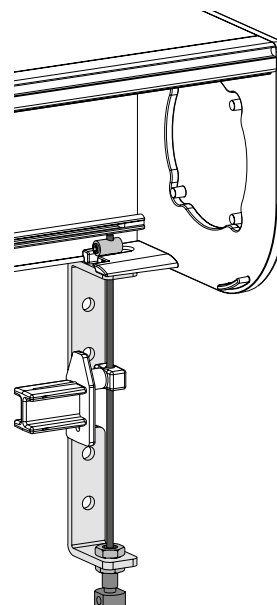
### Listwa prowadząca T720 (6-014023-0000)

- płaska listwa prowadząca bez zaczepów.



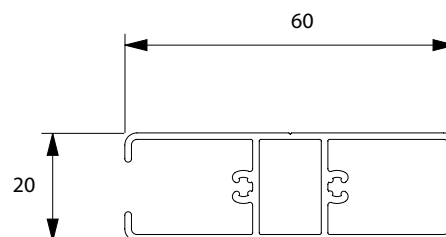
### Linka prowadząca typ T770 (6-014036-0000)

- listwa prowadząca do linki nierdzewnej, z nierdzewnymi nośnikami lub w przypadku A1353 z okuciem na podłogę.



### Listwa prowadząca T756 (6-014404)

- pomocnicza listwa prowadząca.



### Listwy prowadzące - wiercenie na przedniej/bocznej stronie (z obustron na krawędzi 200 mm)

do wysokości 1500 mm	2 otwory (końcowe)
powyżej 1500 mm do 3000 mm	3 otwory (2 końcowe otwory + 1 otwór w środku)
od 3000 mm do 4500 mm	4 otwory (2 końcowe otwory + 2 otwory w środku)
od 4500 mm	5 otworów (2 końcowe otwory + 3 otwory w środku)

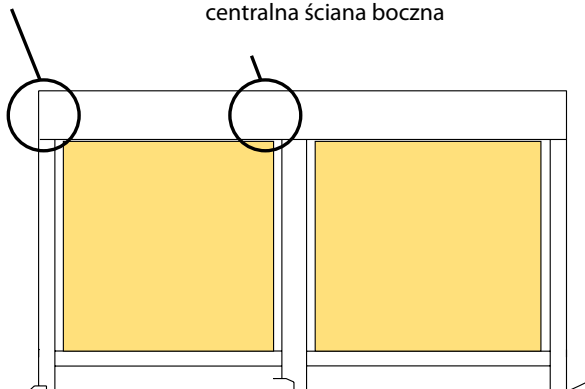
**Ściana boczna:**

**Podstawowa ściana boczna:** - aluminiowe ściany boczne z odlewanymi czopami pod ciśnieniem (nie dotyczy prowadzenia linką) = montaż na czopy, uniwersalne płyty nośne z czarnego syntetycznego materiału.

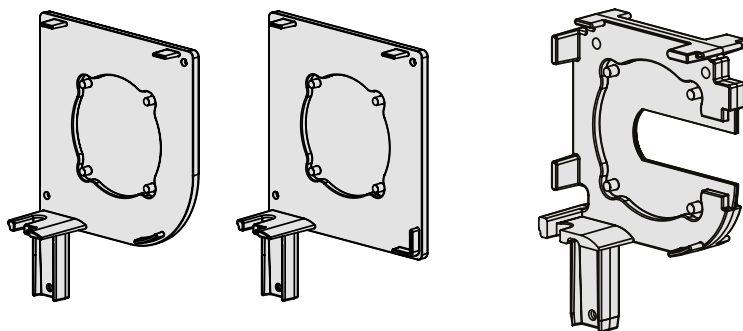
**Środkowe ściany boczne:** - aluminiowa ściana boczna z czopami odlewanymi pod ciśnieniem,  
- trzymają łożysko rolet sprzężonych lub uniwersalną płytę nośną.

podstawowa ściana boczna

centralna ściana boczna



montaż na czopy-podstawowa ściana boczna    montaż na czopy - centralna ściana boczna



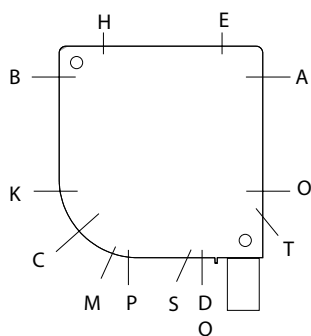
x	Tak
x	Możliwość tylko z prostokątną kasetą
o	Użycie z przekładnią z krótkim okiem
o	Użycie z przekładnią z długim okiem
E/H*	Do montażu strop/nadproże lub użycia wewnątrz z powodu przenikania wody.
o	Nie jest możliwe

**Obsługa umieszczenie - wyjście**

Typ montażu	Obsługa	O			A			E/H*			T			B		
		70	90	110	70	90	110	70	90	110	70	90	110	70	90	110
A-AE	Silnik	x	x	x	x	x	x	o	o	x						
	Korbka 45°										x	x	x			
	Korbka 90°	o	x	x	x	x	x									
	Korbka z okiem															
B-BE	Silnik							o	o	x				x	x	x
	Korbka 45°															
	Korbka 90°													x	x	x
	Korbka z okiem															

Typ montażu	Obsługa	K			P			Q/D*			C			S		
		70	90	110	70	90	110	70	90	110	70	90	110	70	90	110
A-AE	Silnik															x
	Korbka 45°															
	Korbka 90°															
	Korbka z okiem								o	o					o	
B-BE	Silnik	x	x	x				o	o	o						
	Korbka 45°										x	x	x			
	Korbka 90°	x	x	x												
	Korbka z okiem															

## Wyjścia do obsługi



W zależności od obsługi istnieje kilka wariantów wyjść. Dokładna pozycja wyjść jest pokazana na odpowiednich rysunkach. Dlatego przed instalacją należy je uważnie przestudiować.

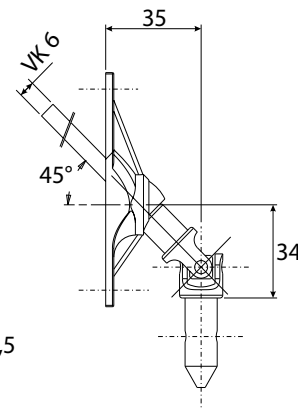
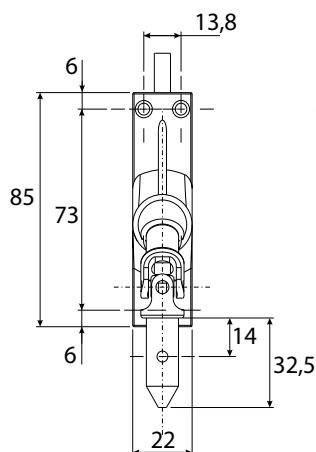
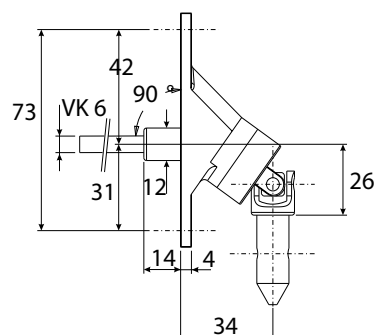
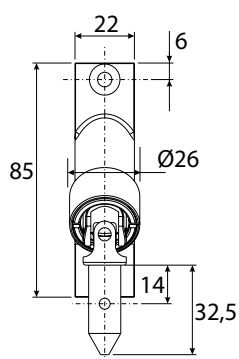
## Obsługa - korbka

### Obsługa wewnątrz

Standardowa: - szara plastikowa składana korbka,  
 - przegub kardanowy 90° (materiał korbki: 6 mm prostokątny, długość 320 mm),  
 - konsola magnetyczna trzymająca korbkę na ścianie,  
 - długość korbki zależy od wysokości rolety:  $L = H - 150$  mm (z przegubem 90°),  $L = H - 350$  mm (z przegubem 45°).

Alternatywa: - przegub kardanowy 45°,  
 - zdejmowana korbka ze specjalnym sprzęgłem,  
 - bez zdejmowanej korbki, ze specjalnym sprzęgłem.

Uwaga: płyta połączenia przegubowego nie może być umocowana bezpośrednio na kasecie, dlatego jest konieczne zabezpieczenie dalszego miejsca koło kasety.



Przegub kardanowy 90°

Przegub kardanowy 45°

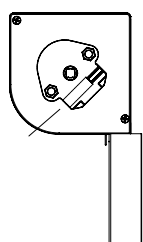
### Obsługa zewnętrzna

Standardowa: - obsługa korbką z okiem, zdejmowana korbka z hakiem, długość 1500 mm.

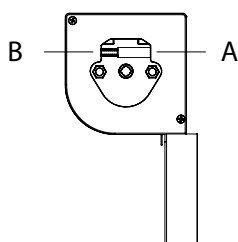
Alternatywa: - inne długości korbek są za dopłatą.

Uwaga: zapewnić dostatek miejsca na boku ( $\pm 10$  mm) z powodu obracania haka korbki w oku.

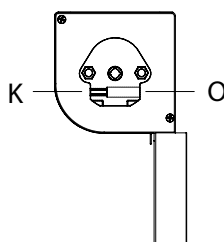
### Wyjścia do obsługi - korbka



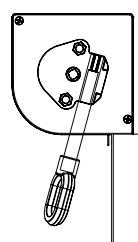
Korbka 45°  
wyjście C



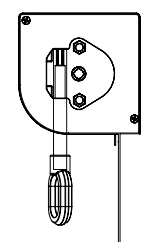
Korbka 90°  
wyjście A - B



Korbka 90°  
wyjście O - K

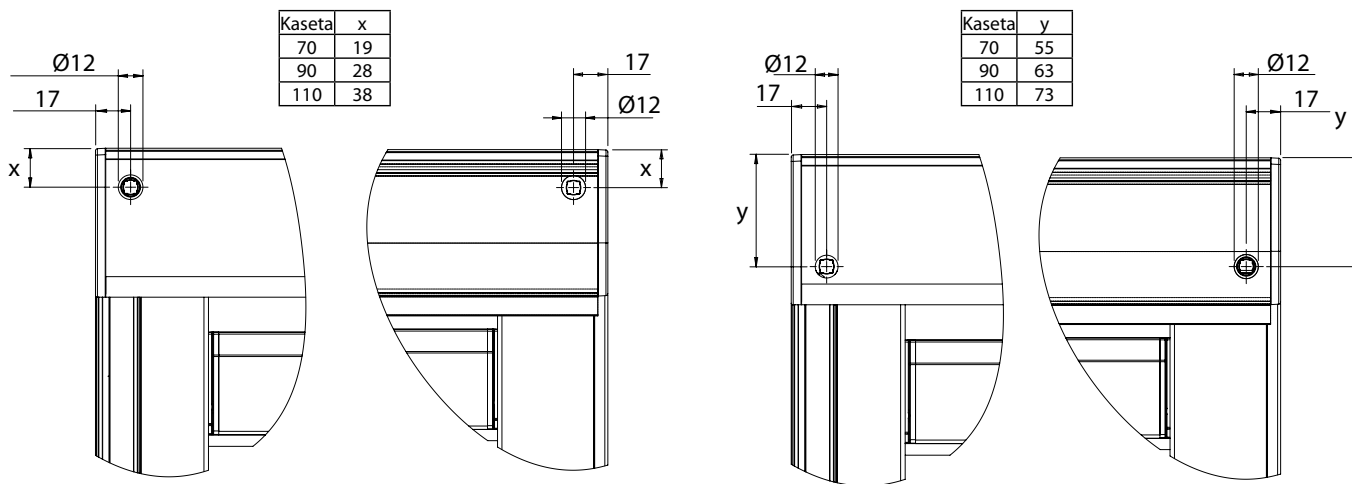


Korbka + oko  
wyjście S



Korbka + oko  
wyjście P

### Wyjścia do obsługi na korbkę przez ścianę



Kaseta	x
70	19
90	28
110	38

Kaseta	y
70	55
90	63
110	73

Korbka 90°  
wyjście A

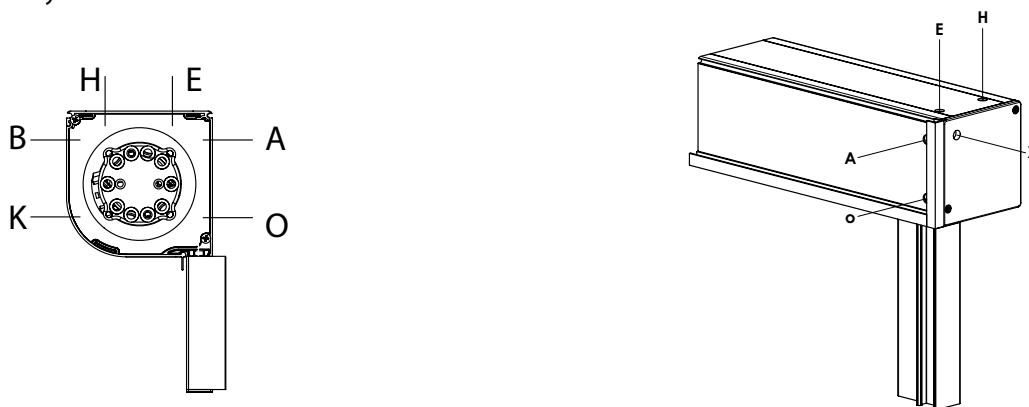
Korbka 90°  
wyjście B

Korbka 90°  
wyjście O

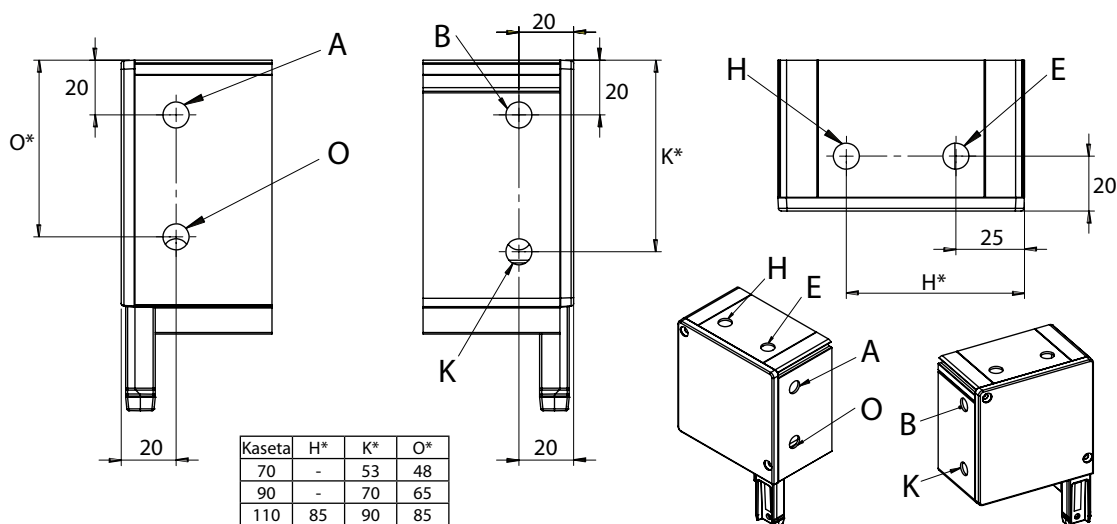
Korbka 90°  
wyjście K

### Obsługa – Silnik

Możliwość wyboru umieszczenia kabla



na lewo, wyprowadzenie X (ze ściany bocznej) tylko dla kasety 110 i 150  
na prawo, wyprowadzenie X (ze ściany bocznej) tylko dla kasety 110 i 150



Kaseta	H*	K*	O*
70	-	53	48
90	-	70	65
110	85	90	85



## Rolety sprzężone

Można użyć jednej kasety dla 2 do 3 rolet ekranowych. DVC: rolety bezpośrednio obok siebie,

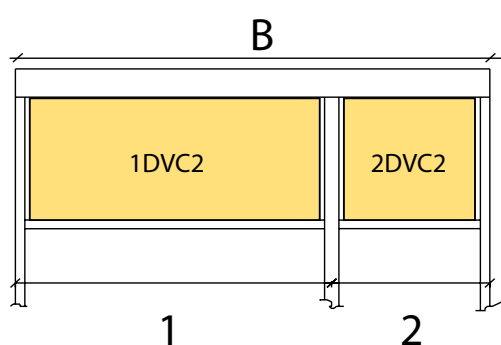
DVS: rolety z co najmniej jedną przerwą:

- min. 25 mm
- maks. 500 mm

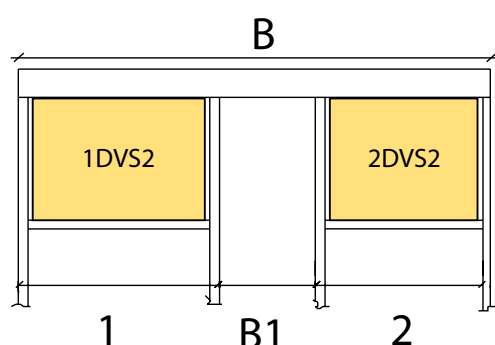
Maksymalna szerokość kasety 6 m.

Możliwe z 1, 2 lub 3 miejscami obsługi.

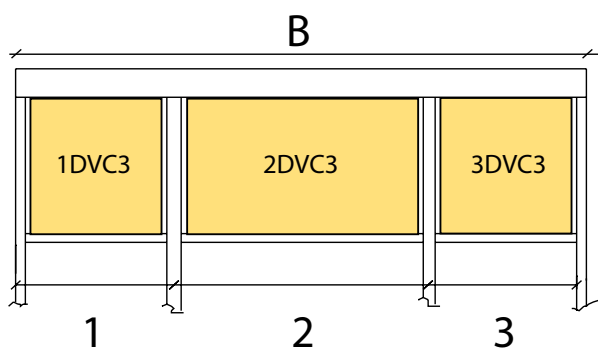
- Minimalna szerokość pojedynczej rolety ekranowej zależy od typu obsługi.
- Maksymalna całkowita szerokość zależy od typu obsługi.
- Obsługę korbką i napęd elektryczny można sprzęgać aż na 6 m.
- Zaleca się zainstalowanie jednostki sterującej do największej rolety.



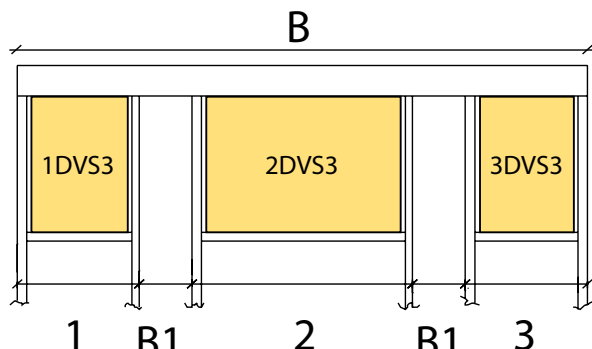
1DVC2 - 1. roleta we wspólnej kasecie z 2  
2DVC2 - 2. roleta we wspólnej kasecie z 2



1DVS2 - 1. roleta we wspólnej kasecie z 2  
2DVS2 - 2. roleta we wspólnej kasecie z 2



1DVC3 - 1. roleta we wspólnej kasecie z 3  
2DVC3 - 2. roleta we wspólnej kasecie z 3  
3DVC3 - 3. roleta we wspólnej kasecie z 3



1DVS3 - 1. roleta we wspólnej kasecie z 3  
2DVS3 - 2. roleta we wspólnej kasecie z 3  
3DVS3 - 3. roleta we wspólnej kasecie z 3

B = szerokość kasety

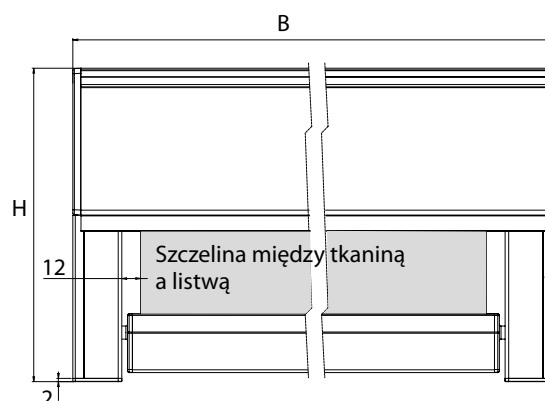
B1 = szerokość między roletami

## SCREEN HR7

### Wymiarzenie

Szerokość finalna B = odległość między konsolami końcowymi.  
Wysokość finalna H = wysokość wraz z kasetą i końcówkami prowadzącymi H listew (grubość = 2 mm) z wyjątkiem uchwyt ściana/strop.

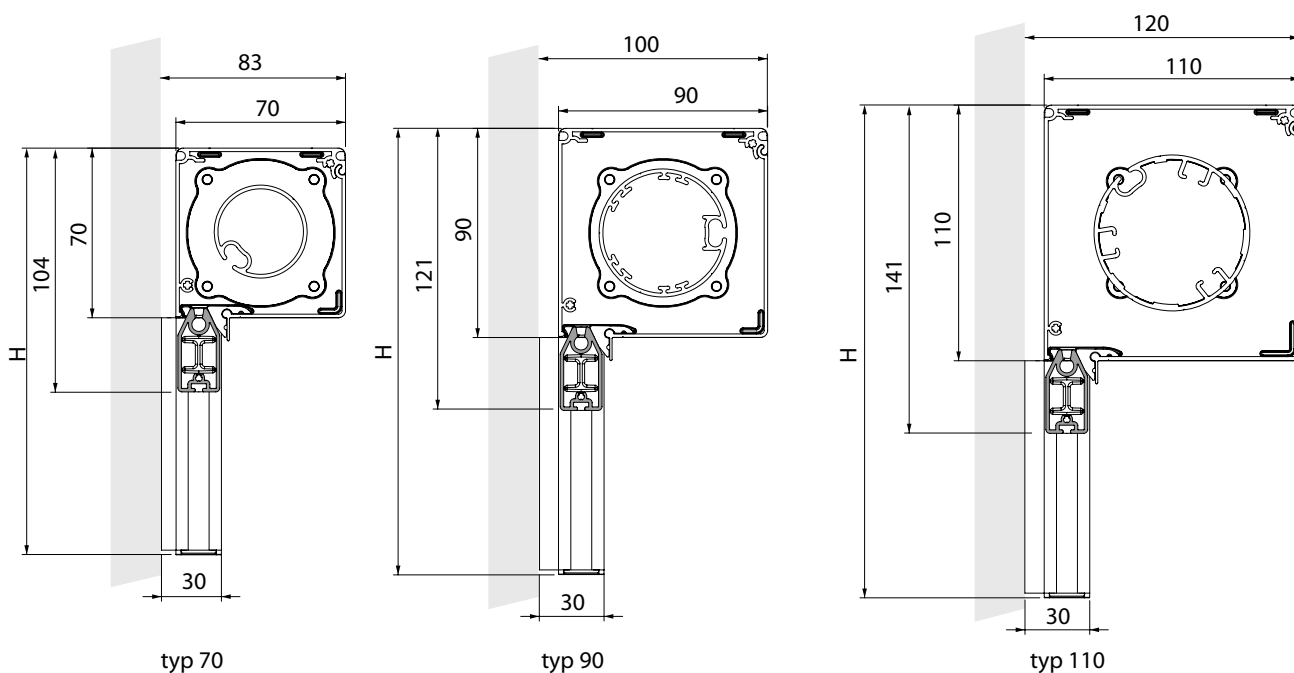
Uwaga: wysokość finalna H ze stalowymi linkami prowadzącymi jest to wysokość od górnej krawędzi do spodniej strony dolnej listwy.



# SCREEN HR7

## Montaż

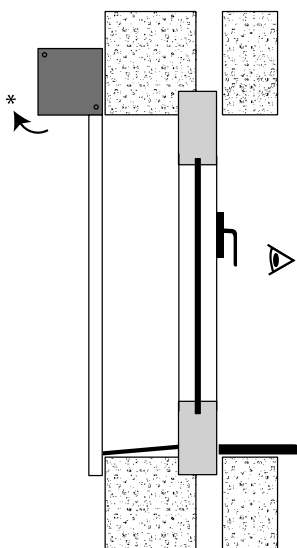
### Montaż na czopy z listwą prowadzącą i niską listwą dolną



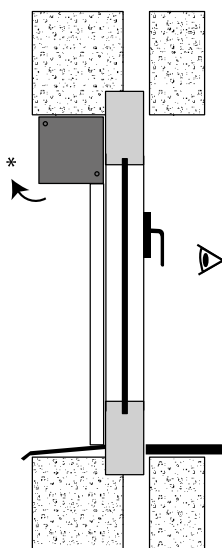
H - patrz Standardowe wymiary, strona 56-57

### Typ montażu

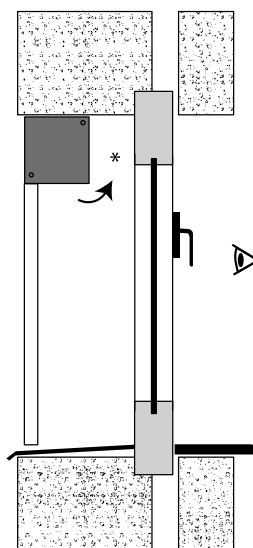
#### Typ A-AE (na ścianę)



#### Typ A-AE (do szpalety)

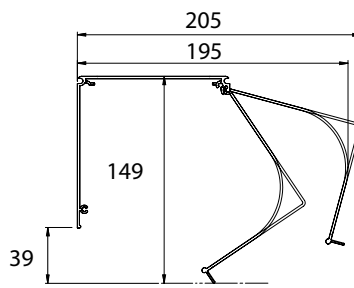
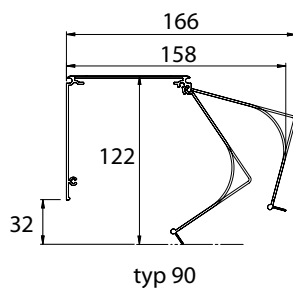
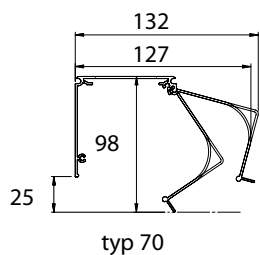


#### Typ B-BE (do szpalety)



- A - nawój do okna „A” (standard)
- AE - nawój do okna „AE” (zewnątrzna strona jaśniejsza)
- B - nawój od okna „B” BE - nawój od okna „BE” (zewnątrzna strona jaśniejsza)

\* miejsce na oświetlenie kasety

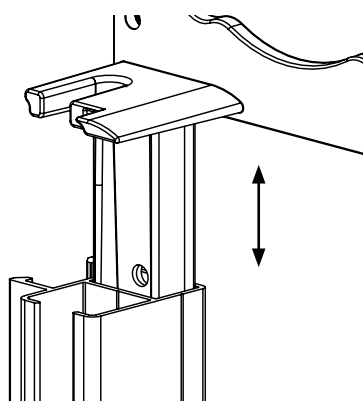


typ 110

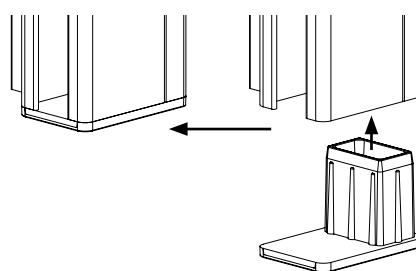
**Montaż na czopy**

Kasetę montuje się do listew prowadzących. Listwy poruszają się po czopach konsoli.

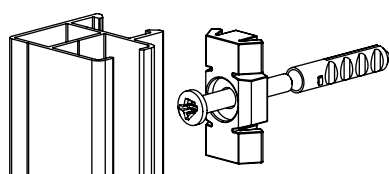
Montaż na czopy



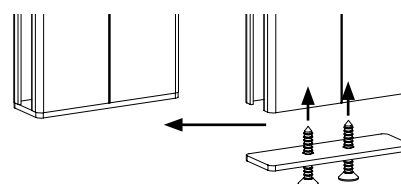
Ogranicznik końcowy



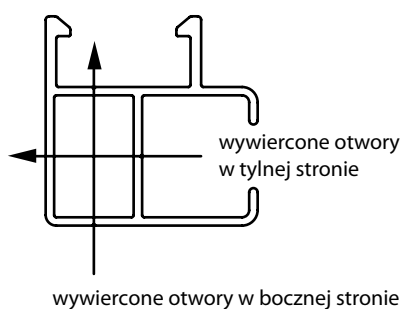
Zaczepek na listwy prowadzące 725 lub 755



Ogranicznik końcowy na pomocniczej listwie prowadzącej



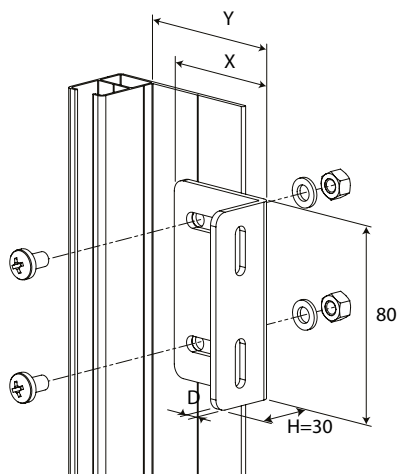
Z ogranicznikiem końcowym z czarnego plastiku lub blachą końcową z aluminium na spodniej stronie dla zderzaka listwy dolnej; grubość 2 mm.



Listwy prowadzące dla wywierconych otworów w bocznej i/lub tylnej stronie:

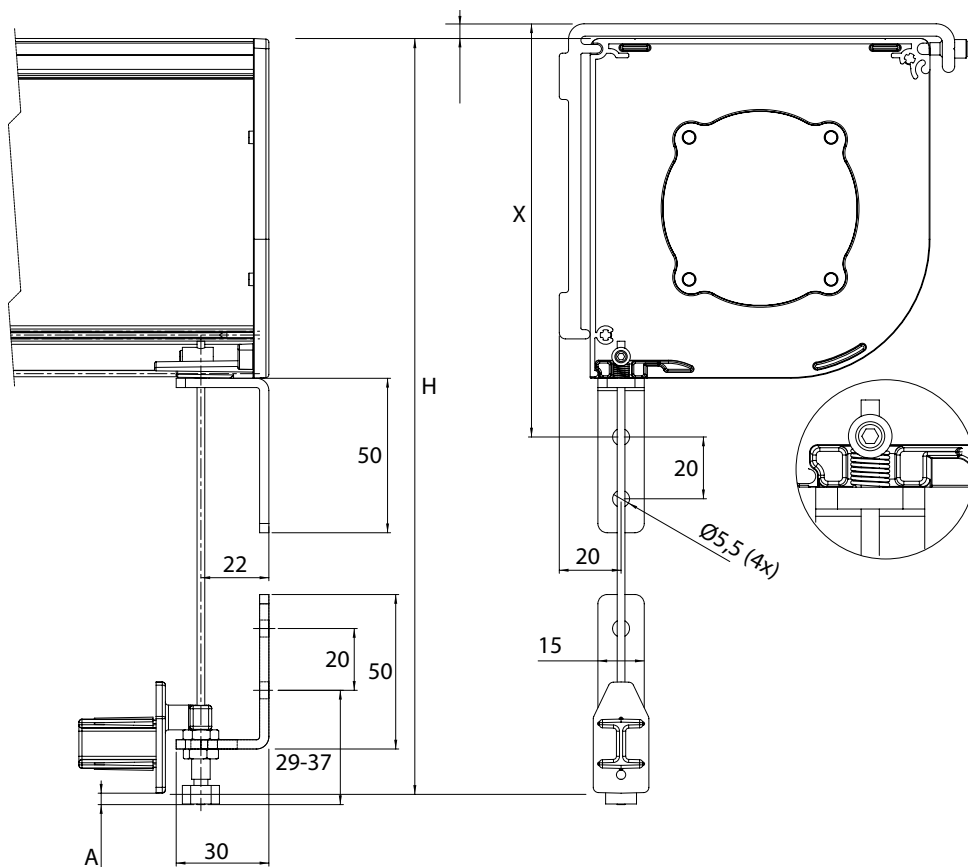
Otwory	725	720	728	755	756	740
boczna strona	x	x	-	x	x	-
tylna strona	x	x	x	-	-	-

Niektóre listwy prowadzące można dostarczyć z wywierconymi otworami w tylnej lub bocznej stronie.

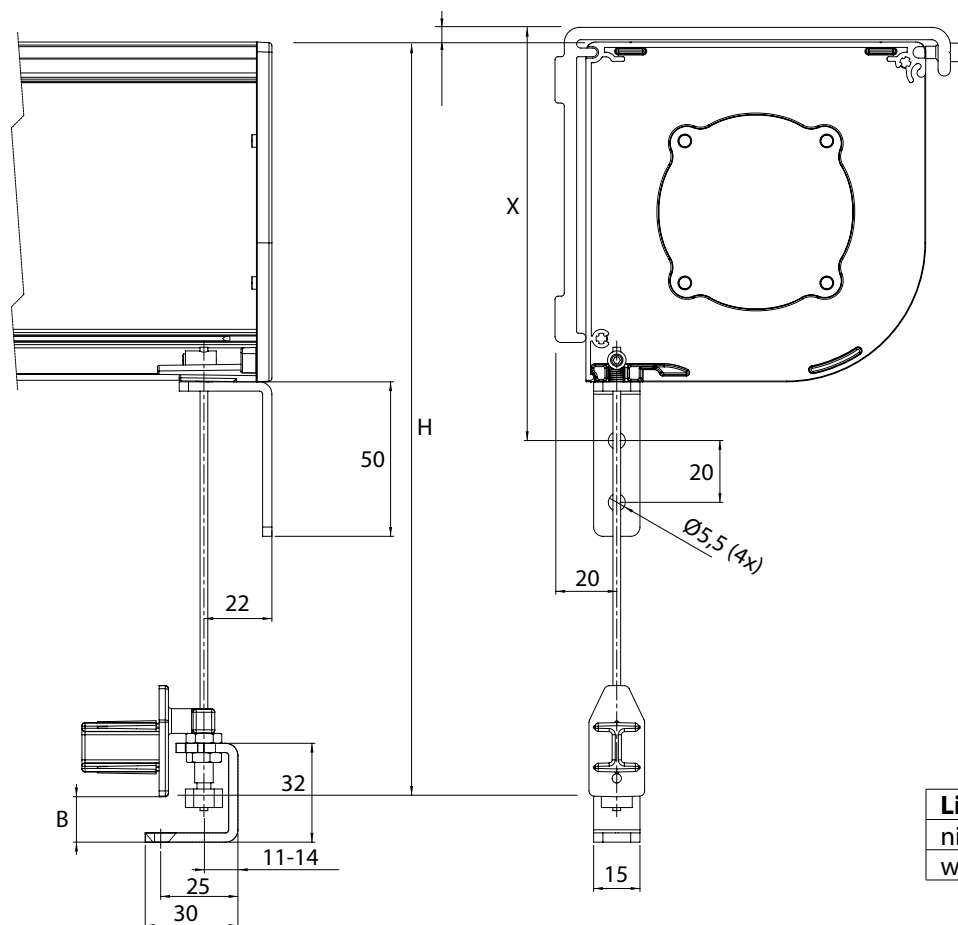
**Uchwyt na listwy prowadzące 728**

X × H × D	X	Y	nr rysunku
50 × 30 × 3	50	50–65	6-014549-0000
60 × 30 × 3	60	60–75	6-014550-0000
100 × 30 × 3	100	100–115	6-014552-0000
130 × 30 × 3	130	130–145	6-014542-0000

## Linka prowadząca 770 – montaż na czopy do szpalety



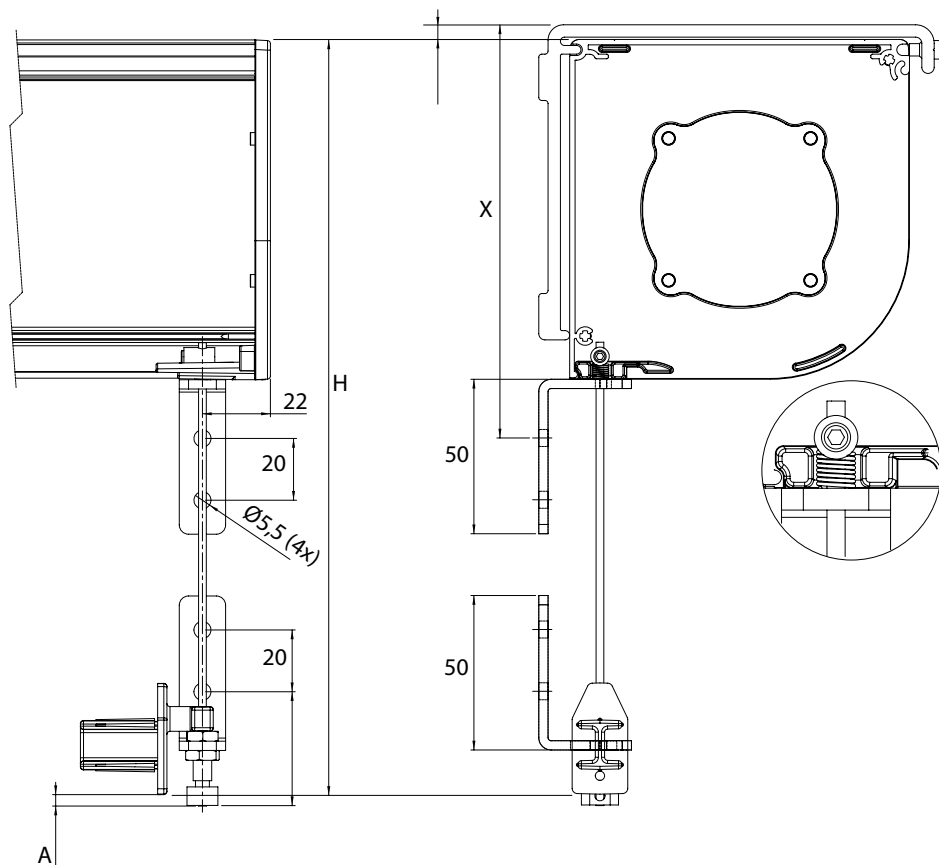
Wielkość kasety	X
70	98
90	115
110	135



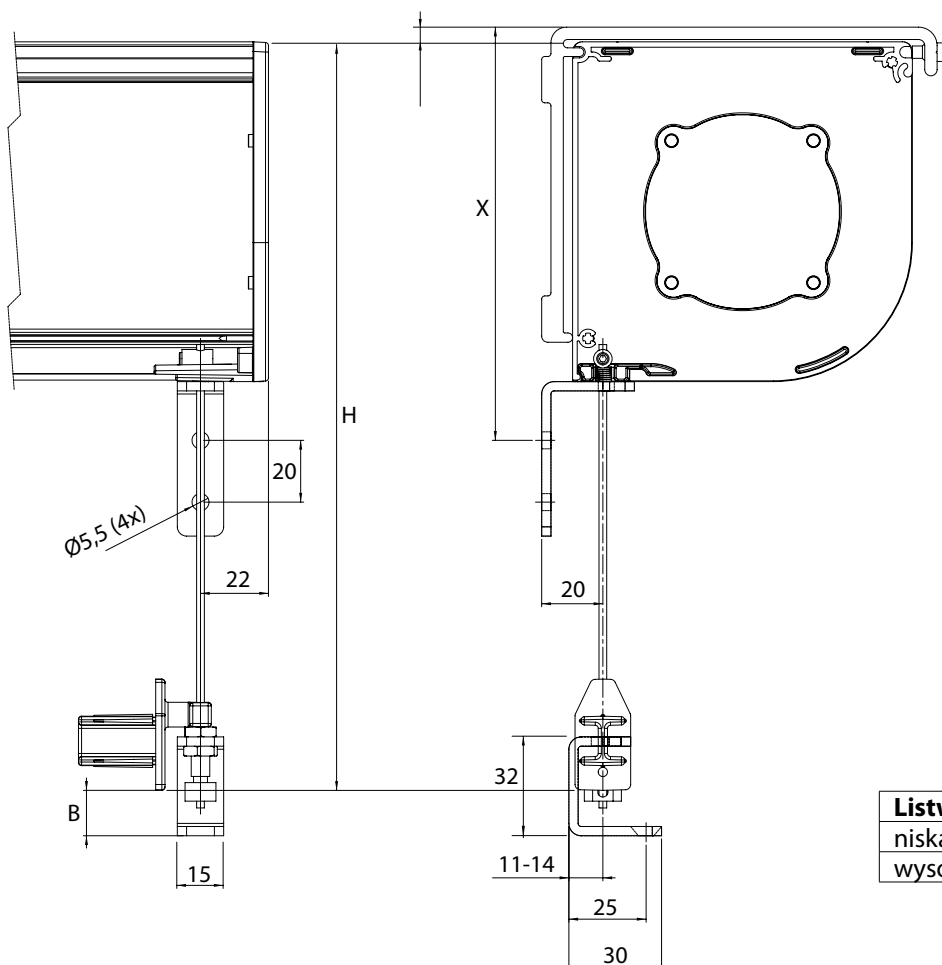
Listwa dolna	A	B
niska	4	15...23
wysoka	-10	1...9

H - patrz Standardowe wymiary, strona 56-57

## Linka prowadząca 770 – montaż na czopy na ścianę



Wielkość kasety	X
70	98
90	115
110	135



Listwa dolna	A	B
niska	4	15
wysoka	-10	1

## SCREEN HR8-ZIP

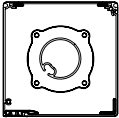
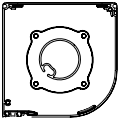
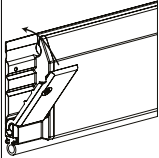
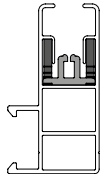
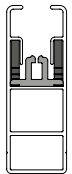
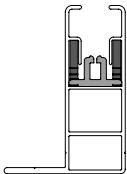
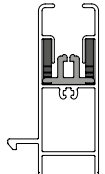
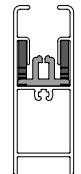


- ▲ 2 typy nowoczesnych kaset: z ostrymi rogami do surowej architektury, lub zaokrąglona do bardziej tradycyjnych budynków, oba typy dostępne w 4 wielkościach,
- ▲ wyważona dolna listwa do prowadzenia i napięcia tkaniny,
- ▲ klasa odporności na wiatr 3,
- ▲ możliwość sprzężenia do 3 sztuk rolet,
- ▲ prosty montaż,
- ▲ gwarantowana powierzchnia do 18 m<sup>2</sup>.

**ISOTRA** *Quality*



## Specyfikacja (dla korbki)

	Kaseta		Dolny profil duży	Boczne prowadzenie				
	prostokątna	ćwierćokrągła		listwa prowadząca				
Nazwa handlowa	SCREEN HR8-ZIP Kaseta 110			ZPH152	ZPH153	ZPH154	ZPH156	ZPH155
Wymiar (mm)	70x70, 90x90, 110x110, 150x150	70x70, 90x90, 110x110, 150x150	18x50	30x55	20x55	40x55	30x110	20x110
Materiał	Al	Al	Al	Al	Al	Al	Al	Al
								
				typ 829	typ 820	typ 828	typ 855	typ 856
Kolor	Standardowa: RAL 9006 jasno srebrny RAL 9007 ciemno srebrny RAL 9010 biały		RAL 7016 antracytowo szary RAL 7016S antracytowo szara struktura RAL 8014 brązowy	pozostałe kolory RAL na życzenie*				

\*oprócz części plastikowych

### Materiały typu Blackout:

Nieprzepuszczalna warstwa przy każdym typie montażu jest umieszczona na stronie okna. W przypadku montażu na zewnątrz silny wiatr może spowodować nieznaczne podnoszenie dolnej listwy i materiału, dlatego nie zawsze można gwarantować 100 % zaciemnienie. W przypadku materiałów Blackout zipy są umocowane na stronie licowej, nie na warstwie przezroczystej, dlatego jest możliwe, że przy silnym wietrze lub patrząc z boku na listwę prowadzącą będzie widać kawałek materiału z taśmy zipu, ale ma to małe znaczenie w porównaniu z widokiem lub szczelnością materiału (ograniczenie fałdowania).

### Normalne zjawiska związane z tkaninami technicznymi

W okolicy zgrzewu lub pośrodku tkaniny może dojść do sfałdowania materiału, tzw. efektu choinkowego. To zjawisko jest normalne, ponieważ podczas używania na materiał działają różne siły. Następnym zjawiskiem mogą być widoczne odciski od walca na materiale. Znikną one przy wyższej temperaturze, kiedy materiał wyrówna się.

### Standardowe wymiary

#### Standardowe wymiary dla kasety 70

Obsługa	Szerokość (mm)		Wysokość (mm)		Gwarantowana powierzchnia (m <sup>2</sup> ) maks.
	min.	maks.	min.	maks.	
Korbka	400	2500	400	1200	3
Silnik LS40	580	2500	400	1200	3
Silnik 40 iO	635	2500	400	1200	3

Maks. wysokość z materiałem STNZ, STNBZ, SCR4005, SLTZB92 i SERGE 3Z wynosi tylko 900 mm

#### Standardowe wymiary dla kasety 90

Obsługa	Szerokość (mm)		Wysokość (mm)		Gwarantowana powierzchnia (m <sup>2</sup> ) maks.
	min.	maks.	min.	maks.	
Korbka	400	2800	400	2500	7
Silnik RTS, iO, WT	795	2800	400	2500	7
system solarny*	595	2500	400	3000	7

Maks. wysokość z materiałem STNZ, STNBZ, SCR4005, SLTZB92 i SERGE 3Z wynosi tylko 1800 mm

#### Standardowe wymiary dla kasety 110

Obsługa	Szerokość (mm)		Wysokość (mm)		Gwarantowana powierzchnia (m <sup>2</sup> ) maks.
	min.	maks.	min.	maks.	
Korbka	400	3500	400	3500	10
Silnik RTS, iO, WT	795	3800	400	3500	13
system solarny*	595	2500	400	3000	7,5

Maks. wysokość z materiałem STNZ, STNBZ, SCR4005, SLTZB92 i SERGE 3Z wynosi tylko 2600 mm

#### Standardowe wymiary dla kasety 150

Obsługa	Szerokość (mm)		Wysokość (mm)		Gwarantowana powierzchnia (m <sup>2</sup> ) maks.
	min.	maks.	min.	maks.	
Korbka	400	3000	400	5000	12
Silnik RTS, iO, WT	795	6000	400	5000	18
system solarny*	595	2500	400	3000*	7,5

Maks. wysokość z materiałem STNZ, STNBZ, SCR4005, SLTZB92 i SERGE 3Z wynosi tylko 4500 mm

\* kaseta tylko prostokątna

\*\* Maks. wysokość z materiałem STNZ, STNBZ, SCR4005, SLTZB92 i SERGE 3Z wynosi tylko 2600 mm



## SCREEN HR8-ZIP (2-01330-XXXX)

pozycja	nazwa pozycji	Nazwa handlowa	numer rysunku
1-8	Kaseta dla screen		patrz strona 77
9	Profile dzielone		Patrz Profile dzielone
19	Materiał dzielony (m <sup>2</sup> ) do screen		patrz wzornik SCREEN
20	Bezpiecznik końcówki listwy dolnej - lewy czarny	ZPH092/1	3-03659-9004
30	Końcówka listwy dolnej - prawa czarna	ZPH093/1	3-03657-9004
40	Bezpiecznik końcówki listwy dolnej - prawy czarny	ZPH091/1	3-03658-9004
50	Końcówka listwy dolnej - lewa czarna	ZPH094/1	3-03656-9004
90	Wkręt 2,9x9,5 DIN 7982	ZPH173	6-014233-0000
100	Wkręt 2,9x13 DIN 7982	51680.029.013	6-014234-0000
110	Wkręt 3,5x9,5 DIN 7981	A 67/18	6-012359-0000
200	Kołpak wałka śr. 55mm	ZPH136	6-014238-0000
200	Kołpak wałka śr. 67mm	ZPH139	6-013984-0000
200	Końcówka wałka śr. 85mm -przelotowa	ZPA008/1	3-04003-9004
200	Kołpak wałka śr. 95mm	ZPH143	6-014237-0000
210	Kołpak wałka śr. 55mm z kwadratowym otworem 12	ZPH138	6-014243-0000
210	Kołpak wałka śr. 67mm z kwadratowym otworem 12	ZPH141	6-013983-0000
221	Kołek kwadratowy - 12mm Fe/Zn L=99mm	ZPH127	6-014271-0000
510	Silniki (SOMFY, BECKER) Screen		patrz strona 84
520	Obsługa ręczna		patrz strona 83
900-910	Prowadzenie - listwa/linka - lewe - prawe		patrz Prowadzenie - listwa/linka - lewe - prawe

## Profile dzielone (3-03054-PU11)

pozycja	nazwa pozycji	Nazwa handlowa	numer rysunku
5	Profil obciążnika listwy dolnej śr. 8mm - Fe/Zn	ZPH077	6-013966-0000
6	Profil obciążnika listwy dolnej 20x12mm- Fe/Zn	ZPH076	6-013971-0000
7	Profil dolny DUŻY	ZPH074	6-014021-0000
8	Pręt plastikowy 3,0 mm PVC	ZP0097/0003	6-016911-0003
11	Uszczelka listwy dolnej ALFA	ZPH116/1	7-303664-0000
19	Walek nawijający Al śr. 40mm - 6 m	ZPH122	6-014229-0000
20	Walek nawijający Al śr. 55mm - 6 m	ZPH123	6-014027-0000
21	Walek nawijający Al śr. 67mm - 6 m	ZPH124	6-013982-0000
22	Walek nawijający śr. 85x1, 20mm - 6 m	ZPA020	6-016860-0000
23	Walek nawijający Al śr. 95mm - 6 m	ZPH126	6-014231-0000
24	Profil do naprowadzania materiału	ZPH115 -1	7-303663-0000
25	Pręt plastikowy 4,0 mm PVC	ZP0097/0004	6-016911-0004

## Prowadzenie - listwa/linka - lewe - prawe (2-01634-PU11L/P)

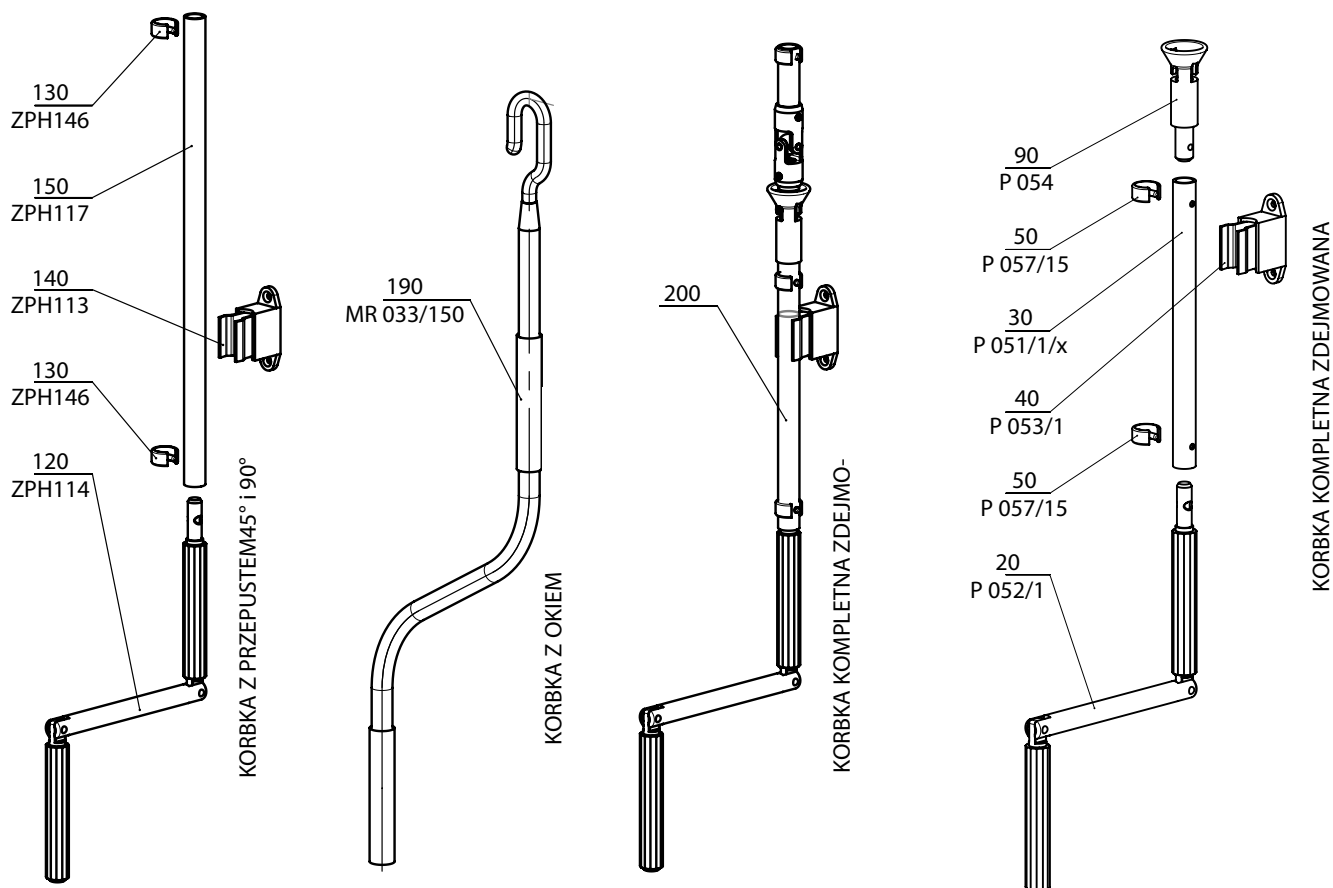
pozycja	nazwa pozycji	Nazwa handlowa	numer rysunku
10	Profil VL 820,830,828,838,829,839,855,865,856,866		dla kasety 70
11	Profil VL 820,830,828,838,829,839,855,865,856,866		dla kasety 90
12	Profil VL 820,830,828,838,829,839,855,865,856,866		dla kasety 110
13	Profil VL 820,830,828,838,829,839,855,865,856,866		dla kasety 150
15	Profil prowadzący HR8-ZIP dla zip v3	ZPH145	6-014155-0000
20	Sprężyna VL HR8-ZIP	ZPH147	6-013992-0000
30	Clip VL HR8-ZIP	ZPH099	6-013993-0000
40	Wkręt 4,2x25, DIN 7981	51660.042.025	6-014157-0000
80	Końcówka VL - 40	ZPH095/1	3-03667-9004
81	Końcówka podwójna VL HR8-ZIP	ZPH127	6-014442-0000
200	Uchwyt VL 50mm	ZPH082	6-014549-0000
201	Uchwyt VL 60mm	ZPH083	6-014550-0000
202	Uchwyt VL 100mm	ZPH084	6-014552-0000
203	Uchwyt VL 130mm	ZPH085	6-014542-0000
210	Śruba M4x5, DIN 7985	51340.040.005	6-014559-0000
220	Podkładka M4, DIN 433	51930.040.001	6-014560-0000
230	Nakrętka M4 DIN 934	51080.040.001	6-014561-0000

## SCREEN HR8-ZIP kasety 110 (2-01330-0110)

pozycja	nazwa pozycji	Nazwa handlowa	numer rysunku
3	Ściana boczna 110mm prostokątna - PRAWA	ZPH024	6-013977-0000
3	Ściana boczna 110mm prostokątna - LEWA	ZPH023	6-013975-0000
3,7	Profil KASETA 110mm - tylna część	ZPH009	6-013976-0000
3,7	Clip VL ZIP	ZPH099	6-013993-0000
3,7	Profil prowadzący dla zip v3	ZPH145	6-014155-0000
3,7	Sprężyna VL ZIP	ZPH147	6-013992-0000
3,7	Końcówka VL - 40	ZPH095/1	3-03667-9004
3,7	Końcówka VL - 55 mm	ZPH159	6-014830-9005
7	Ściana boczna 110mm ćwierćokrągła - LEWA	ZPH021	6-014147-0000
7	Profil KASETA 110mm - część przednia ĆWIERĆOKRĄGŁA	ZPH008	6-014146-0000
7	Ściana boczna 110mm ćwierćokrągła - PRAWA	ZPH022	6-014148-0000
9	Profil obciążnika listwy dolnej śr. 8 mm - Fe/Zn	ZPH077	6-013966-0000
9	Profil obciążnika listwy dolnej 20x12mm - Fe/Zn	ZPH076	6-013971-0000
9	Profil dolny DUŻY - 6,05m	ZPH074	6-014021-0000
9	Pręt plastikowy 3,0 mm PVC	ZP0097/0003	6-016911-0003
9	Uszczelka listwy dolnej ALFA	ZPH116/1	7-303664-0000
9	Walek nawijający Al śr. 55mm - 6 m	ZPH123	6-014027-0000
9	Walek nawijający Al śr. 67mm - 6 m	ZPH124	6-013982-0000
9	Walek nawijający Al śr. 95mm - 6 m	ZPH126	6-014231-0000
9	Walek nawijający śr. 85x1,20mm - 6m	ZPA020	6-016860-0000
9	Pręt plastikowy 4,0 mm PVC	ZP0097/0004	6-016911-0004
9	Pręt plastikowy 6,0 mm PVC	ZP0097/0006	6-016911-0006
9	Profil naprowadzania materiału ZPH115 -1	7-303663-0000	
20	Bezpiecznik końcówki listwy dolnej SC1000 - LEWA CZARNA	ZPH192/1	3-03659-9004
30	Końcówka listwy dolnej ALFA - PRAWA CZARNA	ZPH193/1	3-03657-9004
40	Bezpiecznik końcówki listwy dolnej SC1000- PRAWA CZARNA	ZPH191/1	3-03658-9004
50	Końcówka listwy dolnej SC1000 - LEWA CZARNA	ZPH194/1	3-03656-9004
200	Kołpak wałka śr. 55mm	ZPH136	6-014238-0000
201	Kołpak wałka śr. 67mm	ZPH139	6-013984-0000
202	Końcówka wałka śr. 85 mm - przelotowa	ZPA008/1	3-04003-9004
203	Kołpak wałka śr. 95mm	ZPH143	6-014237-0000
210	Kołpak wałka śr. 55mm z kwadratowym otworem 12	ZPH138	6-014243-0000
211	Kołpak wałka śr. 67mm z kwadratowym otworem 12	ZPH141	6-013983-0000
212	Wkładka końcówki wału - śr. 50mm	ZPA017	3-03486-9004
220	Kolek kołpaka wałka - 12 mm Fe/Zn	ZPH129	6-013985-0000
232-235	Uchwyt ŚCIANA/STROP - kasety 110mm	ZPH080	6-014342-0000
<b>510</b>	<b>Silniki (SOMFY, BECKER) SCREEN HR7/ HR8-ZIP</b>		<b>patrz strona 84</b>
510	Zabierak LT50 HI - śr. 65mm	ZPH160	6-013980-0000
510	Zabierak LT50 HI - śr. 85mm	ZPH161	6-014326-0000
510	Zabierak LT50 HI - śr. 95mm	ZPH162	6-014327-0000
510	Zabierak LS40 - śr. 50mm	ZPH163	6-014328-0000
510	Płyta łożyska płaska - CZARNA ZPH104	6-014333-9004	
510	Płyta łożyska z klipem	SC700/SC800 CZARNA ZPH105	6-014334-900
510	Deska łożyska s klipem SC700/SC800 - ČERNÁ	ZPH105	6-014334-9004

## SCREEN HR7 a HR8-ZIP

### Obsługa Korbka



2-01372-XXXX-0

2-01436-XXXX-A

#### Obsługa ręczna – SCREEN HR (2-01372-XXXX-0)

pozycja	nazwa pozycji	Nazwa handlowa	numer rysunku
120	Korbka łamana	ZPH114	6-014323-0000
130	Pierścień zabezpieczający z czopem	ZPH146	6-014451-0000
140	Uchwyt korbki	ZPH113	6-014319-0000
150	Rura korbki PVC – średnica 12 mm	ZPH117	6-014324-0000
190	Korbka markizy 1500 mm	MR 033/150	6-011095-1500
200	Korbka kompletna zdejmowana do SCREEN		2-01436-0000

#### Korbka kompletna zdejmowana do SCREEN (2-01436-XXXX-0)

pozycja	nazwa pozycji	Nazwa handlowa	numer rysunku
20	Korbka łamana Al – średnica 12 mm szara	P 052/1	6-006682-0000
30	Rura korbki Al – średnica 15 mm anodowana	P 051/1/X	7-301797-PU52
40	Uchwyt korbki – uniwersalny szary	P 053/1	6-006683-7045
50	Pierścień zabezpieczający z czopem 15 mm szary	P 057/15	6-006467-7035
90	Lejek korbki kwadrat	P 054	6-001190-0000

**SCREEN HR7 a HR8-ZIP**

Obsługa Silnik

**Silniki (SOMFY) Screen (2-00530-0002)**

pozycja	nazwa pozycji	Nazwa handlowa	numer rysunku
101-103	Silnik ALTUS 50 RTS	MR 091/06	6-011170-xxxx
201-203	Silnik Sunea 50 Screen io	ZP0084	6-012559-xxxx
301-303	Silnik MAESTRIA +50 IO	ZP0084/1	6-012538-xxxx
501-503	Silnik LT 50	PR0130	6-002630-xxxx
701-703	Silnik Oximo WT50	PR0333	6-001532-xxxx
801-803	Silnik Oximo RTS50	PR0339	6-002615-xxxx
2000	Zabierak LT50 HI - śr. 65mm	ZPH160	6-013980-0000
2011	Zabierak LT50 HI - śr. 85mm	ZPH161	6-014326-0000
2012	Zabierak LT50 HI - śr. 95mm	ZPH162	6-014327-0000
2013	Zabierak LS40 - śr. 50mm	ZPH163	6-014328-0000
2020	Adapter LS40 - śr. 50mm	ZPH164	6-014330-0000
2022	Adapter LS/LT50 - śr. 65mm	ZPH166	6-014332-0000
2031	Płyta łożyska płaska CZARNA	ZPH104	6-014333-9004
2032	Płyta łożyska z klipem CZARNA	ZPH105	6-014334-9004
2040	Śruba M5x16 Zn DIN 965-Z	51302.050.016	6-014338-0000
2050	Przepust kabla GUMOWY śr.7	ZPH150	6-014339-0000
2060	Zacisk kablowy 300x4,8 - CZARNY	ZPH168	6-014438-0000

**Silniki (SOMFY) Screen HR7/ HR8-ZIP- KASETA (2-00530-0004)**

pozycja	nazwa pozycji	Nazwa handlowa	numer rysunku
10	Silnik ALTUS 40 RTS	PR0298	6-002623-0009
20	Silnik LS 40	PR0125	6-002624-0009
30	Silnik Sunea 40 Screen IO	ZP0091/16	6-014483-0009
40	Uchwyt silnika LS 40	ZPH167	6-014336-0000
50	Adapter LS 40	ZPH164	6-014331-0000
60	Zabierak LS 40	ZPH163	6-014328-0000
70	Płyta łożyska płaska	ZPH104	6-014333-9004
80	Płyta łożyska z klipem	ZPH105	6-014334-9004
90	Przepust kabla gumowy śr. 7	ZPH150	6-014339-0000
100	Zacisk kablowy 300x4,8	ZPH168	6-014438-0000
110	Wkręt 3,5x16, DIN 7982	VRH 130	6-014674-0000

**Silniki (Becker) Screen HR7/HR8-ZIP (6-015258 / 6-012538 / 6-002624 / 6-014483)**

pozycja	nazwa pozycji	Nazwa handlowa	numer rysunku
510	Silnik BECKER 50 E 08/17	X.2010/1301590	6-017861-0008
510	Silnik BECKER 50 E 12/17	X.2010/1301600	6-017861-0012
510	Silnik BECKER 50 E 20/17	X.2010/1301450	6-017861-0020
500	Silnik BECKER 50 Screen C 08/17 PLUS	X.2010/1302170	6-018761-0008
500	Silnik BECKER 50 Screen C 12/17 PLUS	X.2010/1302180	6-018761-0012
500	Silnik BECKER 50 Screen C 20/17 PLUS	X.2020/1301860	6-018761-0020
500	Silnik BECKER 50 Screen C 30/17 PLUS	X.2020/1301890	6-018761-0030
500	Silnik BECKER 50 Screen C 40/17 PLUS	X.2020/1301920	6-018761-0040

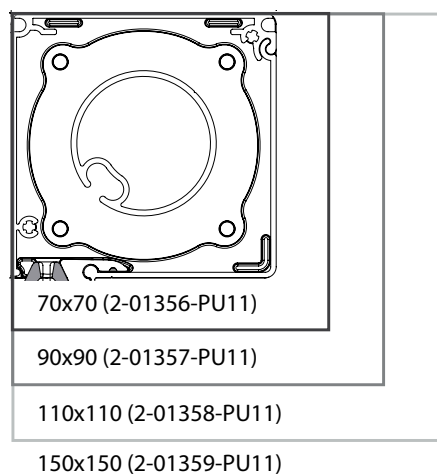
\*Uwaga: E=mechaniczny (wyłącznik) / C=radiowy (pilot)

**SCREEN HR8-ZIP**

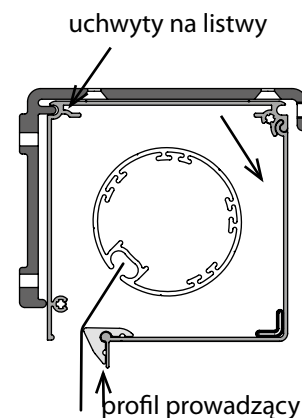
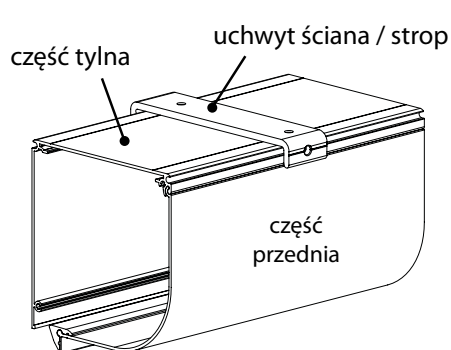
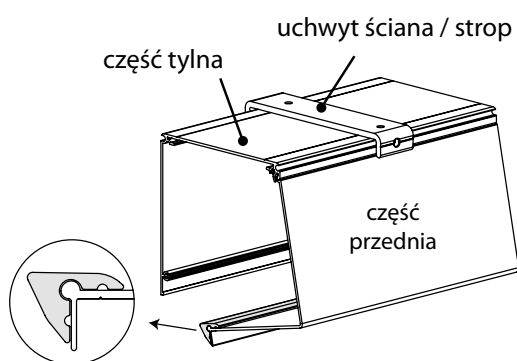
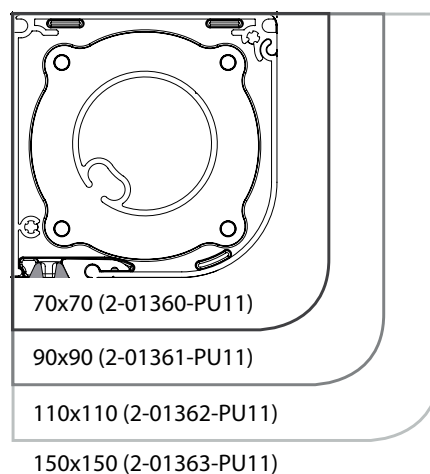
Specyfikacja techniczna

**Profil górny - prostokątny**

(2-01356, 2-01357, 2-01358, 2-01359)

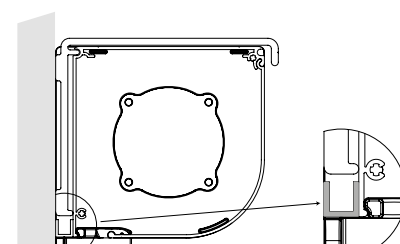
**Profil górny- ćwierćokrągły**

(2-01360, 2-01361, 2-01362, 2-01363)

**Tylna część kasety****Profil U- poziomy**

Szczelinę między kasetą i ścianą można wypełnić poziomo z pomocą profilu U o wymiarach 10 x 10 x 10 mm, długość jest dana szerokością kasety.

Przeznaczenie: - uchwyt ściana / strop,

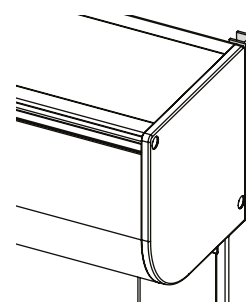


Profil U- poziomy

**Profil U - pionowy**

Szczelinę między kasetą i ścianą można wypełnić profilem, długość jest dana wysokością kasety.

Przeznaczenie: - uchwyt ściana / strop,



Profil U - pionowy

**Uchwyt ściana/strop – kasetka 70 mm, kasetka 90 mm, kasetka 110 mm, kasetka 150 mm**

(6-014340, 6-014341, 6-014342, 6-014343)

**Materiał:** ekstrudowane aluminium z lakierem proszkowym

Dla instalacji wszystkich wielkości profilu górnego niezależnie od listew prowadzących:

**Standardowa liczba uchwytów ściana/strop:**

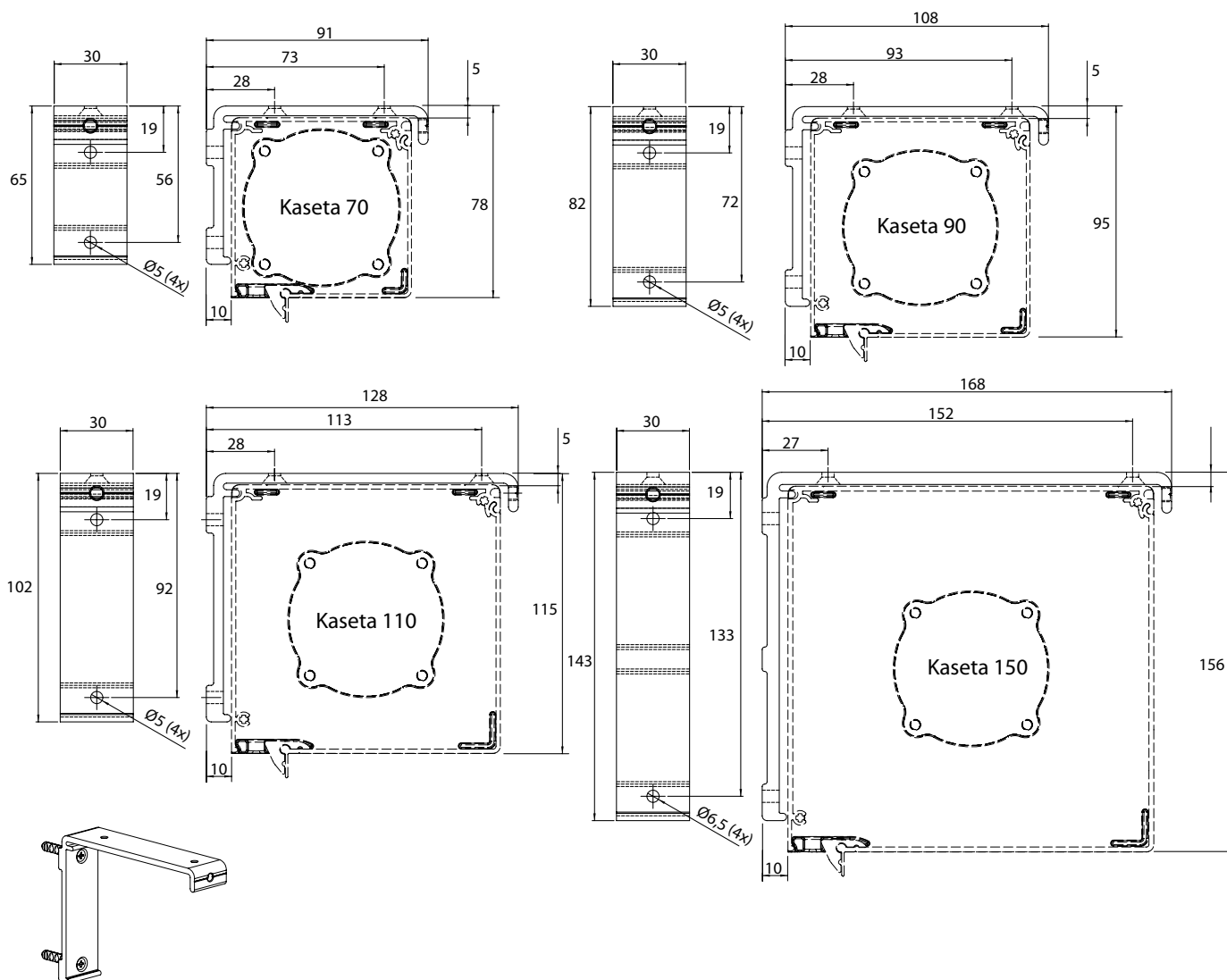
Szerokość rolety (mm)	Kasetka	
	70 - 90	110 - 150
0 – 1500	0 (2*) 3 szt.	2 szt.
1501 – 3000	3 szt.	3 szt.
3001 – 4500	4 szt.	4 szt.
4501 - 6000	5 szt.	5 szt.

\* Jeżeli w formularzu zamówieniowym będzie zadane „uchwyt ściana/strop” zostaną dostarczone 2 sztuki uchwytu (do szerokości rolety 1500 mm roleta jest samoosna).

Jeżeli jest użyty uchwyt ściana/strop, zalecamy użycie listwy prowadzącej typu A829, A839, A828, A838, A865 i A855.

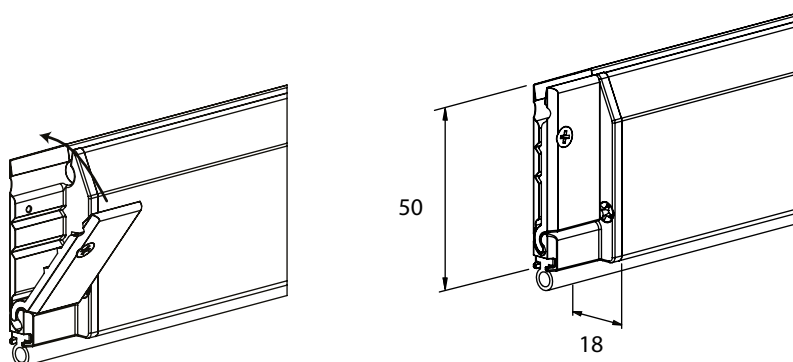
**Szerokość:** 30 mm

Podnosi tylną stronę górnego profilu o 10 mm do przodu tak samo, jak zawieszania listew prowadzących.



**Profil dolny duży**

(6-014021-0000)

**Materiał: ekstrudowane profile aluminiowe:**

- z lakierem proszkowym
- z miejscem na pasek obciążający
- z rowkiem na materiał
- z rowkiem na gumę uszczelniającą

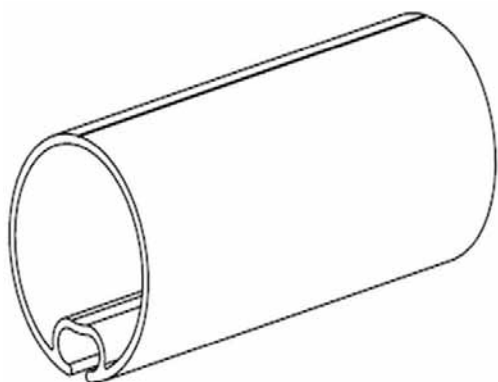
Materiał jest umocowany do dolnej listwy bez pomocy śrub z pomocą plastikowego pręta  $\varnothing$  3 mm. Jest częściowo ukryta w kasecie rolety, kiedy materiał jest zrolowany.

**Bloki ślizgowe**

w dwóch częściach dla dobrego umocowania materiału

**Walek nawijający śr. 40mm – 6m, śr. 55mm – 6m, 67mm – 6m, 85 - 6m, 95 - 6 m**

(6-014229-0000, 6-014027-0000, 6-013982-0000, 6-016860-0000, 6-014231-0000)



Materiał: ekstrudowane aluminium rur  $\varnothing$  405,  $\varnothing$  55 lub  $\varnothing$  67 mm i stal ocynkowana rury  $\varnothing$  85 i  $\varnothing$  95 mm.

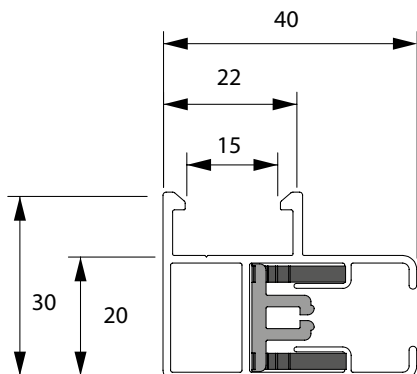
Posiada rowek do umocowania materiału z pomocą plastikowego pręta  $\varnothing$  4 mm do rury  $\varnothing$  40 mm,  $\varnothing$  55 mm i  $\varnothing$  67 mm i z pomocą plastikowego pręta  $\varnothing$  6 mm do rury  $\varnothing$  85 mm.

## Listwy prowadzące dla silnika

**Materiał:** ekstrudowane profile aluminiowe lakierowane proszkowo

### Listwa prowadząca T839 (6-014417)

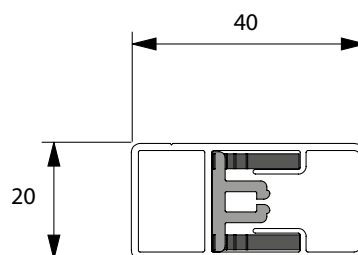
- standardowa listwa prowadząca do umocowania na zaczepy lub dla małej odległości od bocznej strony (10 mm).



### Listwa prowadząca T830 (6-014418)

(6-014418)

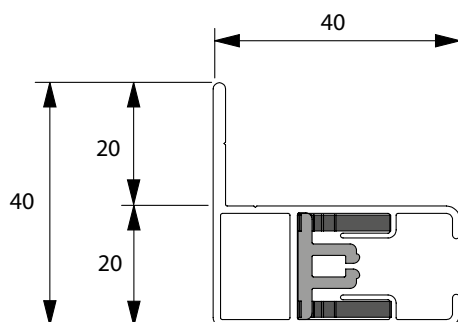
- płaska listwa prowadząca bez zaczepów.



### Listwa prowadząca T838 (6-014419)

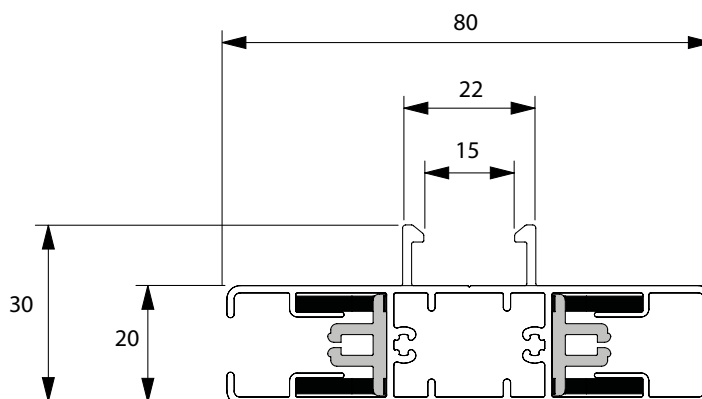
- listwa prowadząca z krótkim kołnierzem montażowym.

Używany do montażu pergoli.

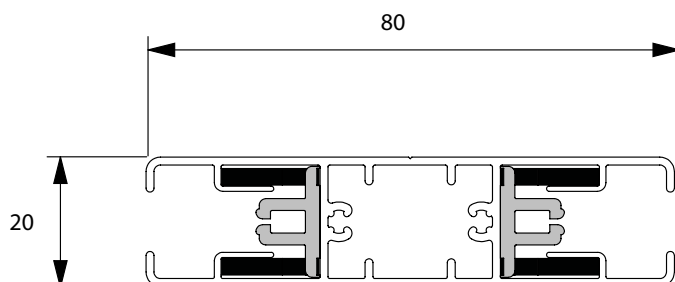


### Listwa prowadząca T865 (6-014420)

- pomocnicza listwa prowadząca



### Listwa prowadząca T866 (6-014421) - pomocnicza listwa prowadząca



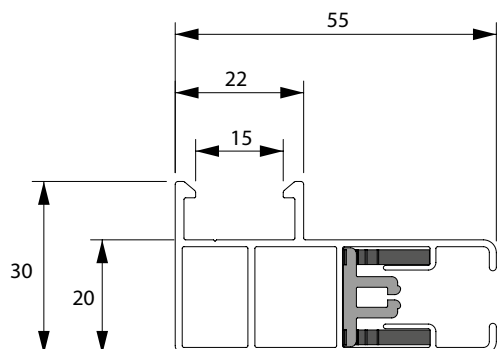


## Listwy prowadzące dla korbki

**Materiał:** ekstrudowane profile aluminiowe lakierowane proszkowo

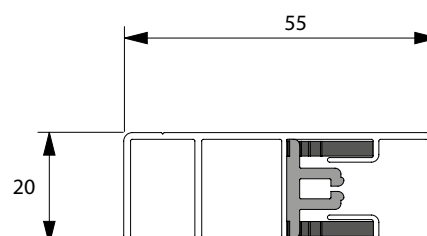
### Listwa prowadząca T829 (6-013989)

- listwa prowadząca do umocowania na zaczepy lub dla małej odległości od bocznej strony (10 mm).



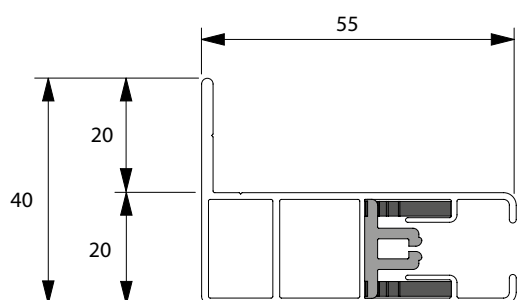
### Listwa prowadząca T820 (6-014152)

- płaska listwa prowadząca bez zaczepów.



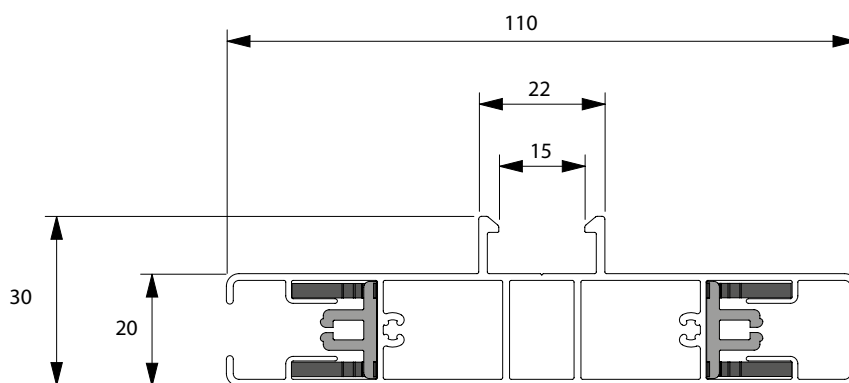
### Listwa prowadząca T828 (6-014153)

- listwa prowadząca z krótkim kołnierzem montażowym



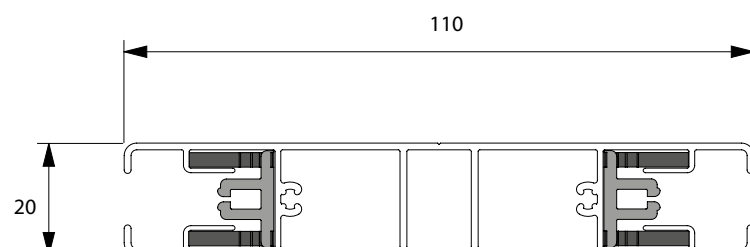
### Listwa prowadząca T855 (6-014827)

- pomocnicza listwa prowadząca



### Listwa prowadząca T856 (6-014154)

- pomocnicza listwa prowadząca



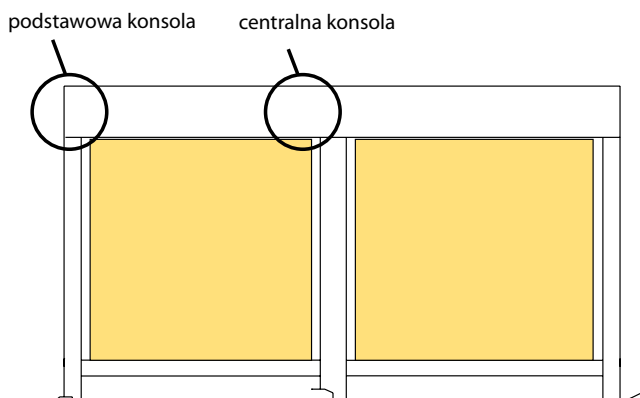
### Listwy prowadzące - wiercenie na przedniej/bocznej stronie (z obustron na krawędzi 200 mm)

do wysokości 1500 mm	2 otwory (końcowe)
powyżej 1500 mm do 3000 mm	3 otwory (2 końcowe otwory + 1 otwór w środku)
od 3000 mm do 4500 mm	4 otwory (2 końcowe otwory + 2 otwory w środku)
od 4500 mm	5 otworów (2 końcowe otwory + 3 otwory w środku)

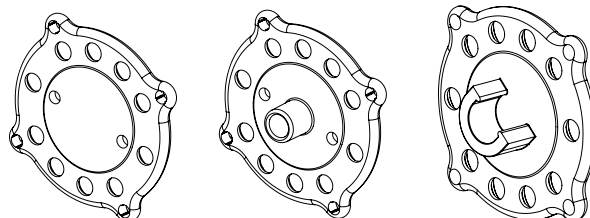
**Ściana boczna:**

**Podstawowa ściana boczna:** - aluminiowe ściany boczne z czopami odlewanyymi pod ciśnieniem= montaż na czopy,  
 - aluminiowe ściany boczne kompletne z uniwersalnymi płytami nośnymi z czarnego materiału syntetycznego.

**Środkowe ściany boczne:** - aluminiowa ściana boczna z czopami odlewanyymi pod ciśnieniem,  
 - trzymają łożysko rolet sprzężonych lub uniwersalną płytę nośną.



**Uniwersalna płyta nośna:**



**Obsługa umieszczenie - wyjście**

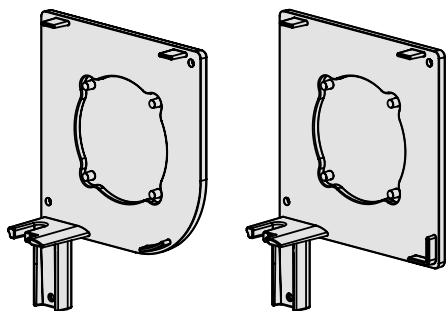
Typ montażu	Obsługa	O				A				E/H*				T				B							
		70	90	110	150	70	90	110	150	70	90	110	150	70	90	110	150	70	90	110	150				
A-AE	Silnik	x	x	x	x	x	x	x	x	o	o	x	x												
	Korbka 45°													x	x	x	x								
	Korbka 90°	o	x	x	x	x	x	x	x																
	Korbka																								
B-BE	Korbka z okiemi																								
	Silnik									o	o	x	x					x	x	x	x				
	Korbka 45°																								
	Korbka 90°																	x	x	x	x				
	Korbka																								
	Korbka z okiemi																								

Typ montażu	Obsługa	K				P				Q/D*				C				S							
		70	90	110	150	70	90	110	150	70	90	110	150	70	90	110	150	70	90	110	150				
A-AE	Silnik															x	x								
	Korbka 45°																								
	Korbka 90°																								
	Korbka									o	o	o	x												
B-BE	Korbka z okiemi									o	o							o	o						
	Silnik	x	x	x	x					o	o	o	x												
	Korbka 45°													x	x	x	o								
	Korbka 90°	x	x	x	x																				
	Korbka									o	o	o	x												
	Korbka z okiemi																								

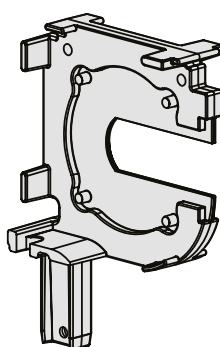
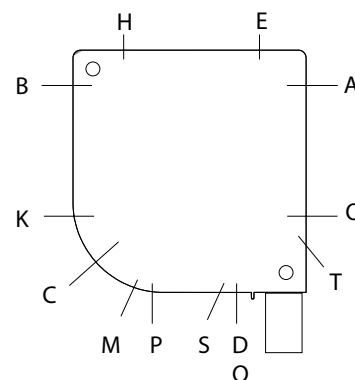
- x Tak
- x Możliwość tylko z prostokątną kasetą
- Użycie z przekładnią z krótkim okiemi
- Użycie z przekładnią z długim okiemi
- E/H\* Do montażu strop/nadproże lub użycia wewnątrz z powodu przenikania wody.
- o Nie jest możliwe

**Montaż na czopy**

podstawowa konsola

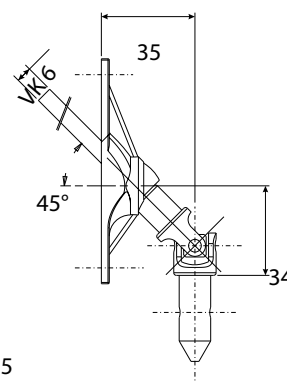
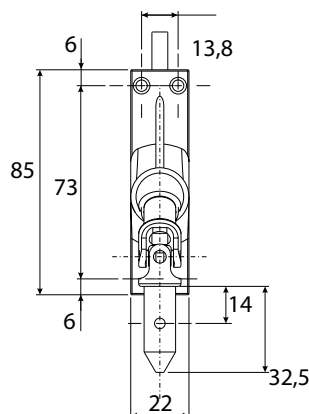
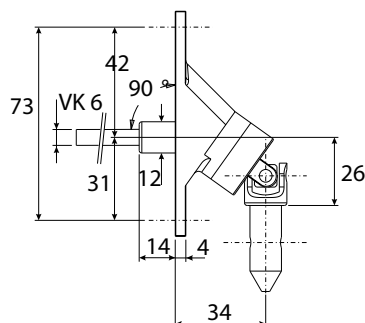
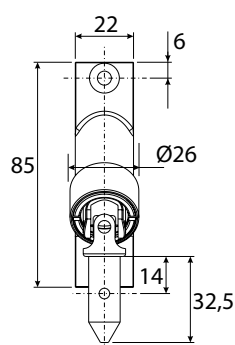


konsola środkowa

**Wyjścia do obsługi****Obsługa - Korbka****Obsługa wewnątrz**

- Standardowa:
- szara plastyfikowana składana korbka,
  - przegub kardanowy 90° lub 45° lub 0° (materiał korbki: 6 mm prostokątny, długość 320 mm).
  - konsola magnetyczna trzymająca korbkę na ścianie,
  - długość korbki zależy od wysokości rolety: L = H - 150 mm (z przegubem 90°), L = H - 350 mm (z przegubem 45° i 0°).

- Alternatywa:
- zdejmowana korbka ze specjalnym sprzęgłem,
  - bez zdejmowanej korbki, ze specjalnym sprzęgłem.



Przegub kardanowy 90°

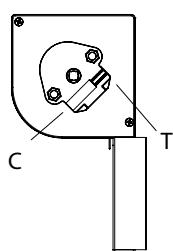
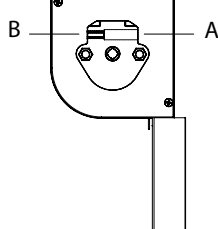
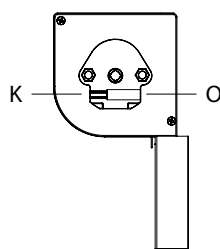
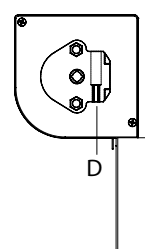
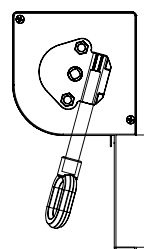
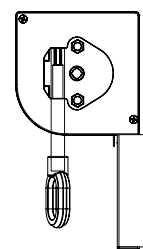
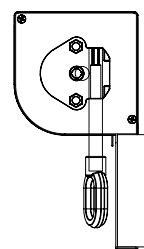
Przegub kardanowy 45°

Uwaga: płyta połączenia przegubowego nie może być umocowana bezpośrednio na kasecie, dlatego jest konieczne zapewnienie dalszego miejsca koło kasety.

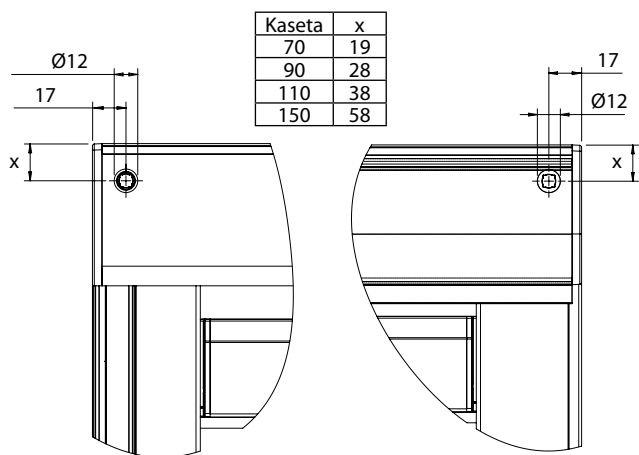
**Obsługa zewnętrzna**

Standardowa: - obsługa korbką z okiem, zdejmowana korbka z hakiem, długość 1500 mm. Alternatywa: - inne długości korbek są za dopłatą.

Uwaga: zapewnić dostatek miejsca na boku ( $\pm 10$  mm) z powodu obracania haka korbki w oku.

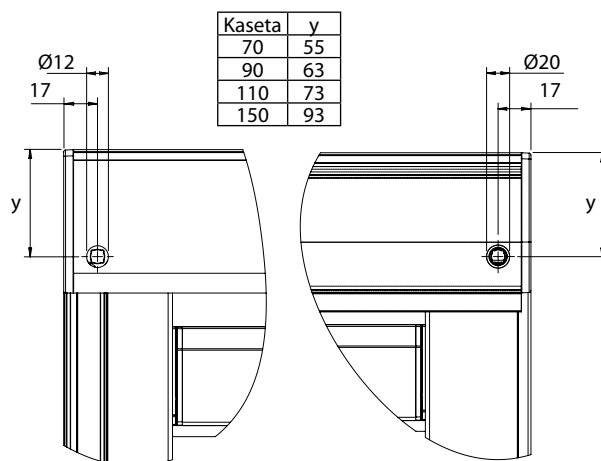
Korbka 45°  
wyjście C - TKorbka 90°  
wyjście A - BKorbka 90°  
wyjście O - KKorbka 0°  
wyjście DKorbka + oko  
wyjście SKorbka + oko  
wyjście PKorbka + oko  
wyjście Q

### Wyjścia do obsługi na korbkę przez ścianę



zdemontowana korbka 90°  
wyjście A

zdemontowana korbka 90°  
wyjście B

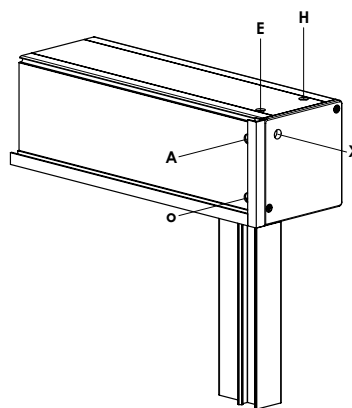
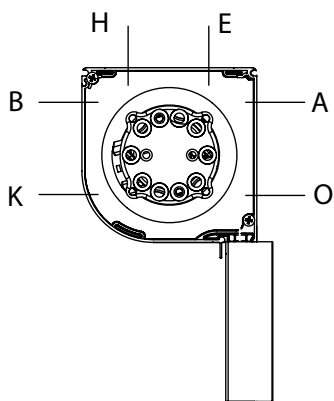


zdemontowana korbka 90°  
wyjście O

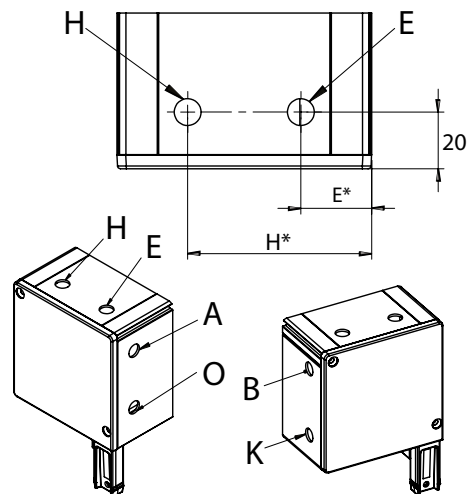
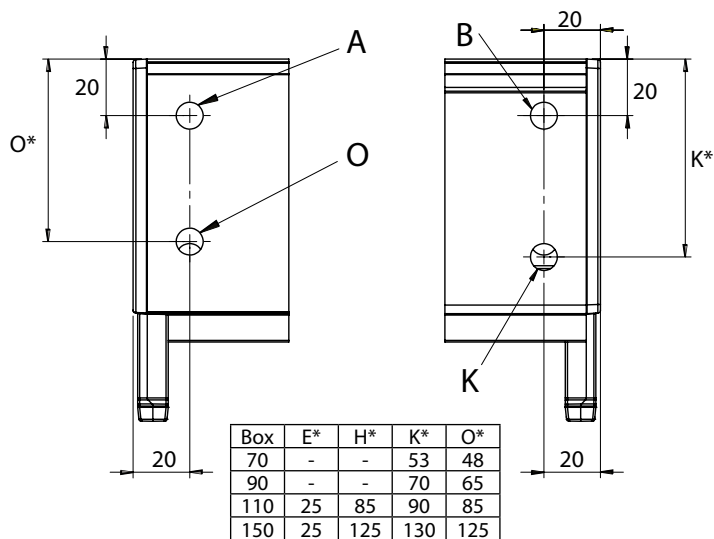
zdemontowana korbka 90°  
wyjście K

### Obsługa-silnik

Możliwość wyboru umieszczenia kabla



na lewo, wyprowadzenie X (ze ściany bocznej) tylko dla kasety 110 i 150  
na prawo, wyprowadzenie X (ze ściany bocznej) tylko dla kasety 110 i 150



## Rolety sprzężone

można użyć jednej kasety dla 2 do 3 rolet ekranowych. DVC: rolety bezpośrednio obok siebie

- z małymi listwami prowadzącymi 865/866

DVS: rolety z co najmniej jedną przerwą:

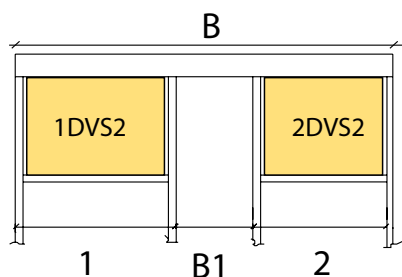
- z małymi listwami prowadzącymi 839, 830, 838, 865 lub 866.  
Maksymalna szerokość kasety 6 m.

Możliwe z 1, 2 lub 3 miejscami obsługi.

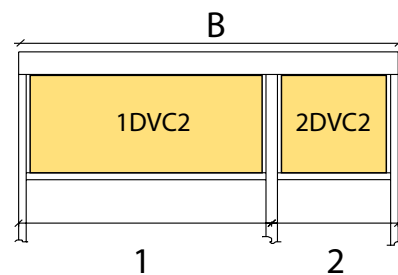
Minimalna szerokość pojedynczej rolety ekranowej zależy od typu obsługi. Maksymalna całkowita szerokość zależy od typu obsługi.

- obsługę korbką i napęd elektryczny można sprzęgać aż na 6 m.

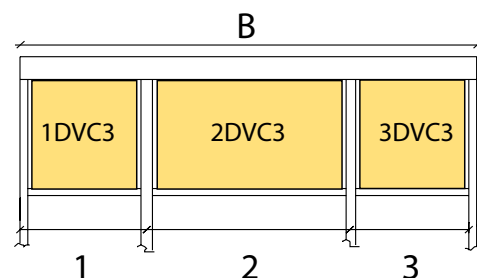
- Zaleca się zainstalowanie jednostki sterującej do największej rolety. Nie jest możliwe w przypadku kasety typu 150.



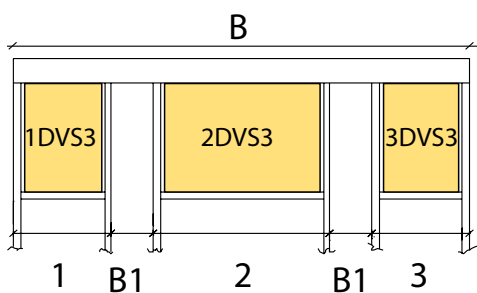
1DVC2 - 1. roleta we wspólnej kasecie z 2  
2DVC2 - 2. roleta we wspólnej kasecie z 2



1DVC2 - 1. roleta we wspólnej kasecie z 2  
2DVC2 - 2. roleta we wspólnej kasecie z 2



1DVC3 - 1. roleta we wspólnej kasecie z 3  
2DVC3 - 2. roleta we wspólnej kasecie z 3  
3DVC3 - 3. roleta we wspólnej kasecie z 3



1DVS3 - 1. roleta we wspólnej kasecie z 3  
2DVS3 - 2. roleta we wspólnej kasecie z 3  
3DVS3 - 3. roleta we wspólnej kasecie z 3

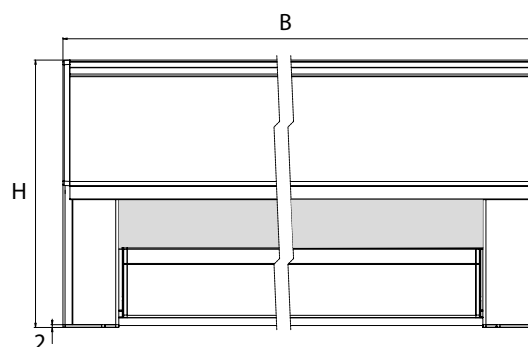
B = szerokość kasety  
B1 = szerokość między roletami

## SCREEN HR8-ZIP

### Wymiarzenie

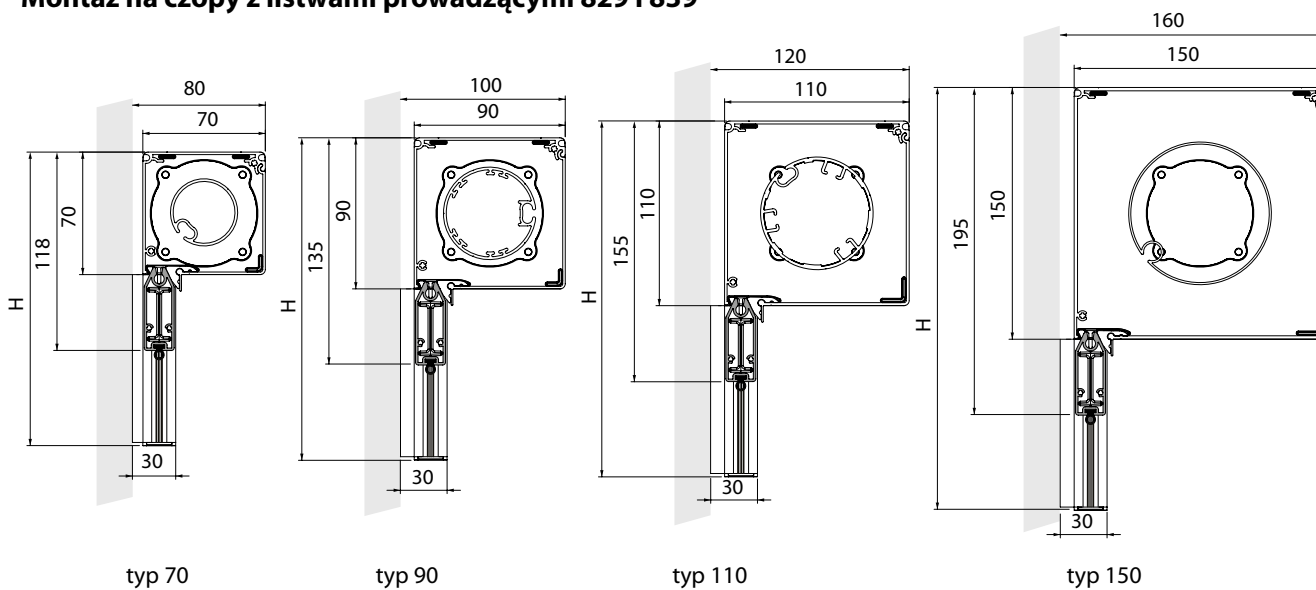
Szerokość finalna B = odległość między konsolami końcowymi.

Wysokość finalna H = wysokość wraz z kasetą i końcówkami prowadzącymi H listew (grubość = 2 mm) z wyjątkiem uchwyt ściana/strop.



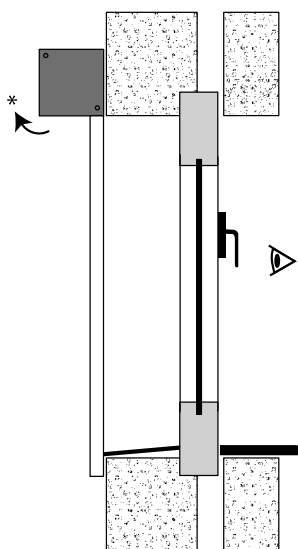
## Montaż

### Montaż na czopy z listwami prowadzącymi 829 i 839

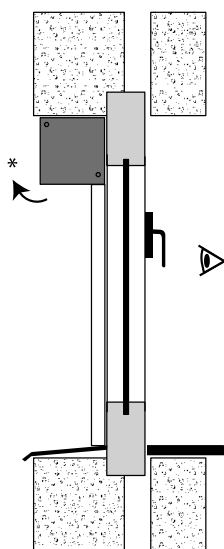


### Typ montażu

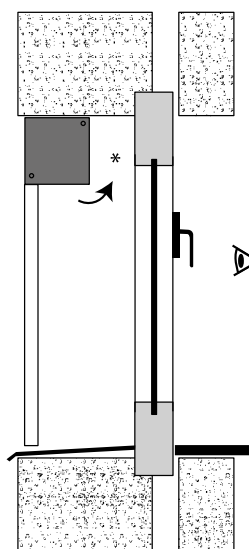
#### Typ A-AE (na ścianę)



#### Typ A-AE (do szpalety)

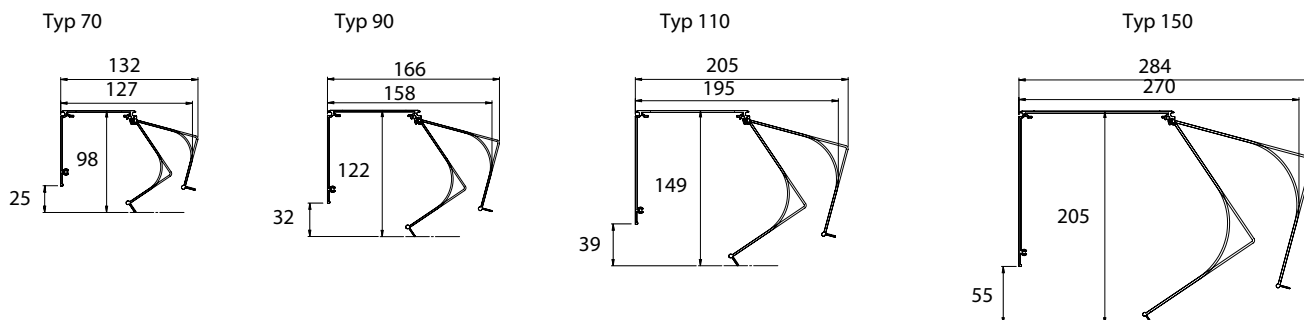


#### Typ B-BE (do szpalety) \*



- A - nawój do okna „A” (standard)
- AE - nawój do okna „AE” (zewnątrzna strona jaśniejsza)
- B - nawój od okna „B”
- BE - nawój od okna „BE” (zewnątrzna strona jaśniejsza)

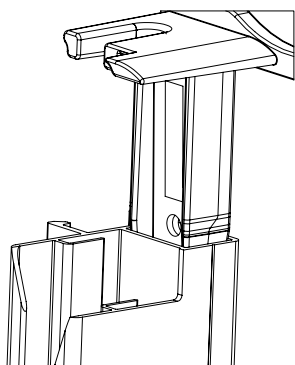
\* miejsce do otwarcia Kasety



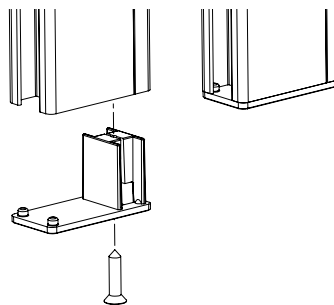
**Montaż na czopy**

Kasetę montuje się do listew prowadzących. Listwy poruszają się po czopach konsoli.

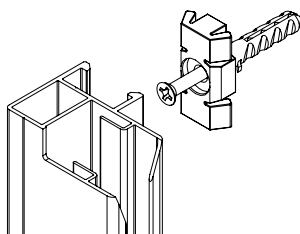
Montaż na czopy



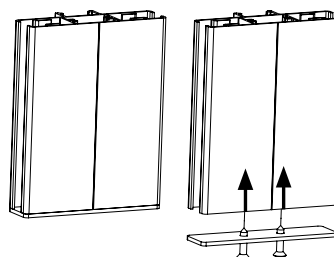
Ogranicznik końcowy



Zaczepty na listwy prowadzące 829, 839, 855, 865

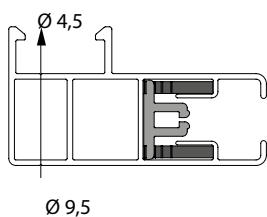


Ogranicznik końcowy na pomocniczej listwie prowadzącej



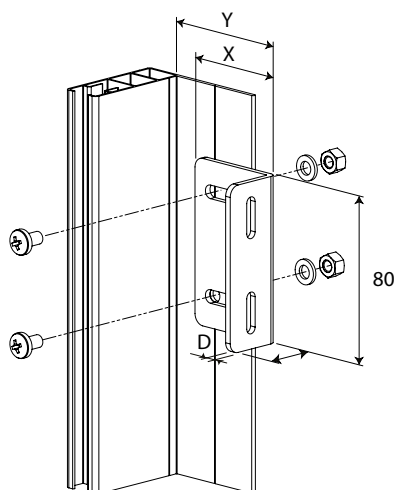
Z ogranicznikami końcowymi Al na spodniej stronie dla ogranicznika listwy; grubość 2 mm.

Niektóre listwy prowadzące mogą być dostarczone z uprzednio wywierconymi otworami na bocznej stronie. Otwory na przedniej stronie:



Listwy prowadzące dla wywierconych otworów na przedniej stronie:

Otwory	829/839	820/830	828/838	855/865	856/866
boczna strona	x	x	-	x	x

**Uchwyt na listwy prowadzące 828 i 838:**

X x H x D	X	Y	nr rysunku
50 x 30 x 3	50	50-65	6-014549-0000
60 x 30 x 3	60	60-75	6-014550-0000
100 x 30 x 3	100	100-115	6-014552-0000
130 x 30 x 3	130	130-145	6-014542-0000

## SCREEN HR7 a HR8-ZIP

### Montaż

Istnieje kilka sposobów instalacji rolety w zależności od sytuacji:

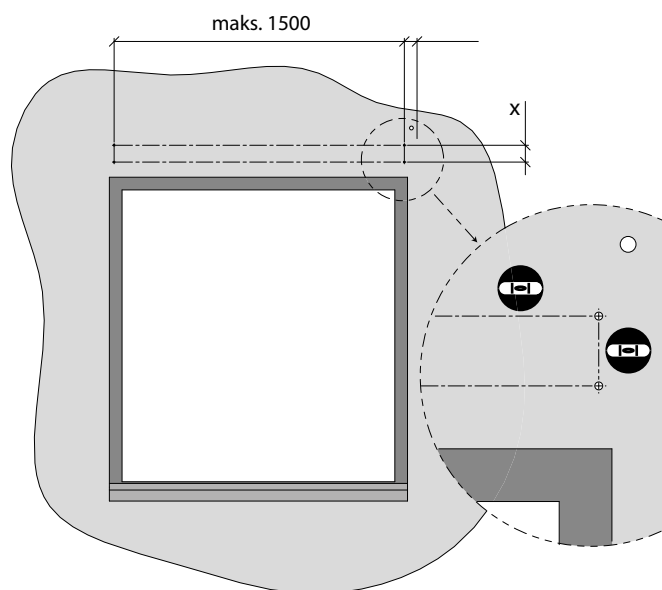
**Metoda 1.** Umocowanie kasety z pomocą nośników montażowych, nasunięcie listew prowadzących na czop konsoli i zabezpieczenie listew prowadzących śrubami.

**Metoda 2.** Umieszczenie kompletnego zestawienia kasety i listew prowadzących do otworu okiennego lub nad nim i zabezpieczenie śrubami.

**Metoda 3.** Przykręcenie listew prowadzących, nasunięcie kasety do listew prowadzących i zabezpieczenie.

### METODA 1. Umocowanie kasety z pomocą nośników montażowych, nasunięcie listew prowadzących na czop konsoli i zabezpieczenie listew prowadzących śrubami.

#### Krok 1: Wywiercenie otworów na nośniki montażowe



Typ kasety	X
70	37
90	53
110	73
150	114



poziomnica

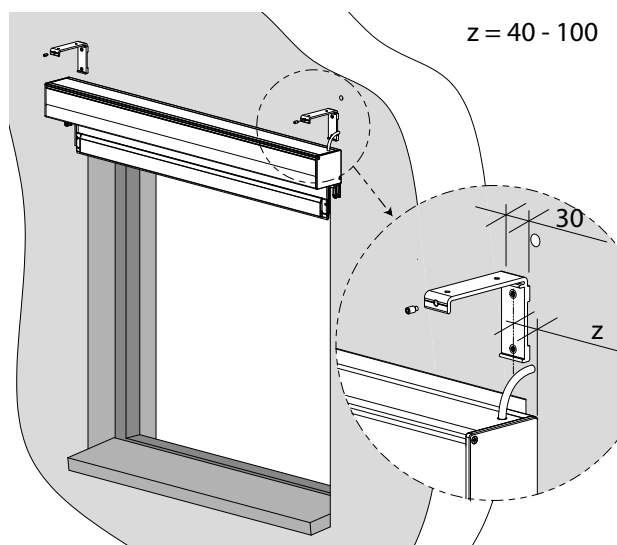
Umieścić nośniki montażowe na powierzchnię montażową. Górnych otworów użyć do montażu na strop a tylnych otworów do montażu na ścianę. Kasety musi być doskonale pozioma, dlatego należy się upewnić, że konsole są należycie wyrównane. Do tego trzeba użyć poziomnicy węzowej i pionu lub innego odpowiedniego narzędzia.

#### Krok 2: Instalacja kasety na uchwyt ściana/strop

Jeden nośnik montażowy na konsolę jak najbliżej do niej.

Jakiegolwiek następnego nośnika montuje się na środek kasety równomiernie rozmieszczone wzdłuż szerokości a ich zadaniem jest zapobieganie uginaniu szerszych kaset.

1. Nasunąć kasetę na górę do nośników montażowych.
2. Wsunąć do wewnątrz kabel zasilający silnika. Następnie popchnąć kasetę do nośników tak, aby rowki na tylnej stronie kasety zapadały do profili L.
3. Następnie dokręcić śruby z sześciokątem wewnętrznym każdego nośnika. Śruby powinny trzymać w rowkach w górnej części czoła kasety.

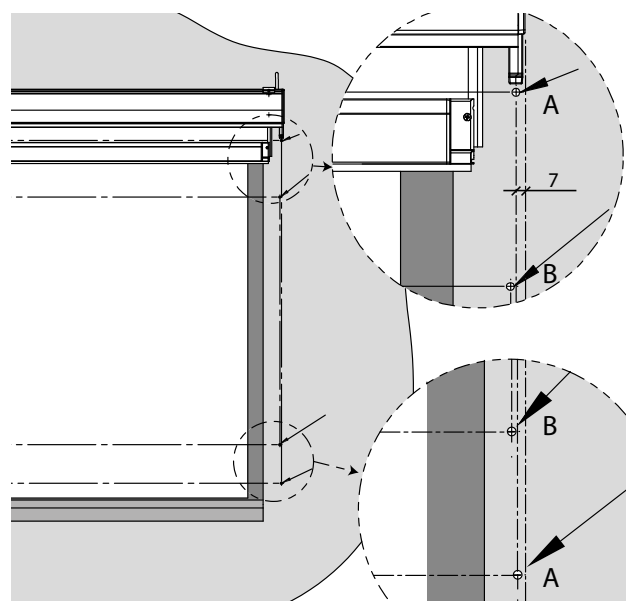
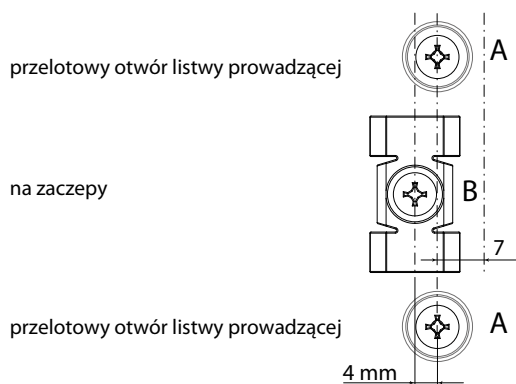




### Krok 3: Wywiercenie otworów na listwy prowadzące

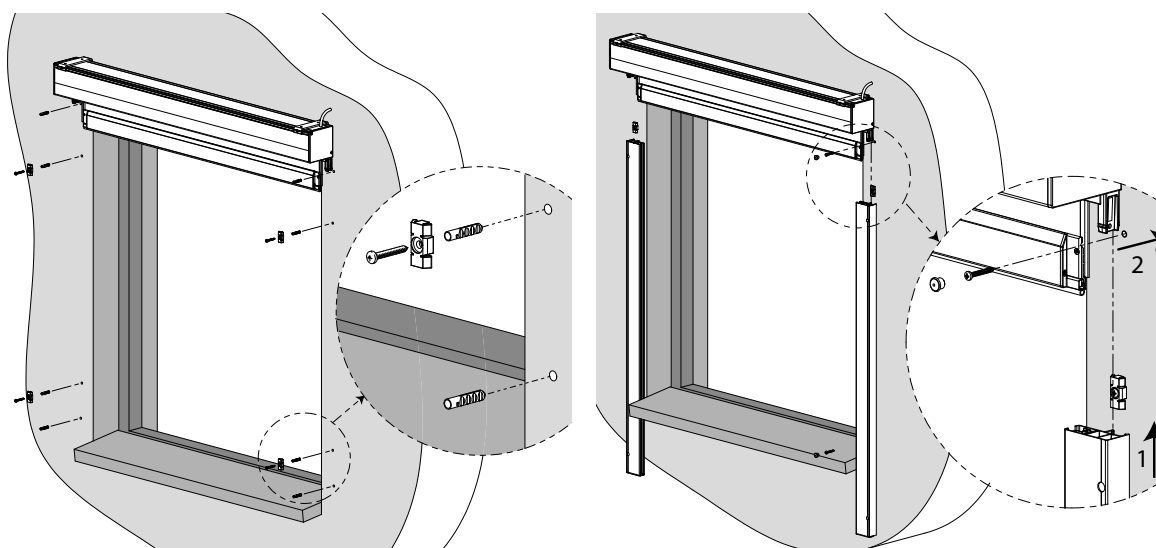
Na ścianie lub innej powierzchni montażowej zaznaczyć otwory, które mają być wywiercone. Do tego użyć nawierconych bocznych listw prowadzących. Wywiercić otwory w ścianie ( $\varnothing 6$  mm) lub ramie okna ( $\varnothing 3.2$  mm).

Instalując na ścianie zasunąć do otworów kołki rozporowe S6.

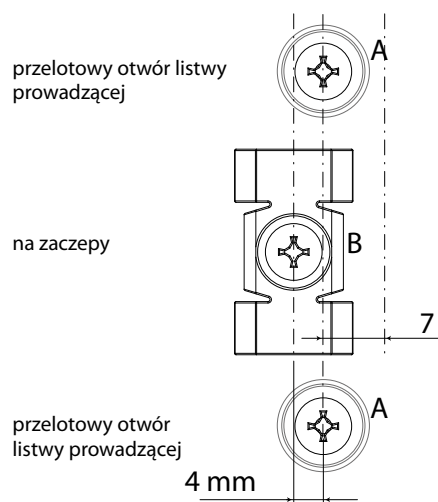
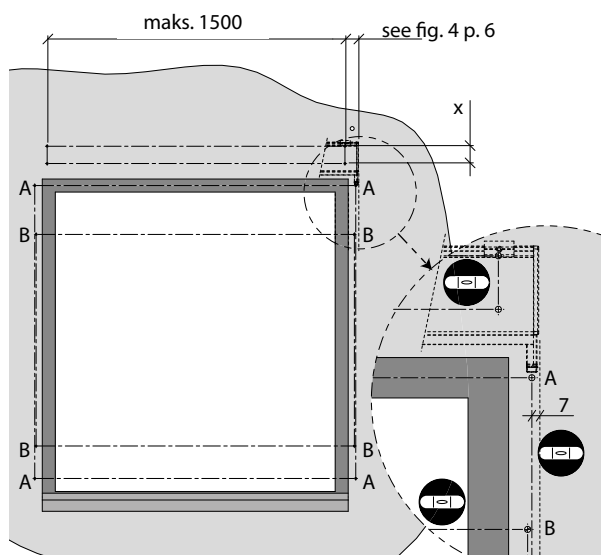


### Krok 4: Instalacja listw prowadzących

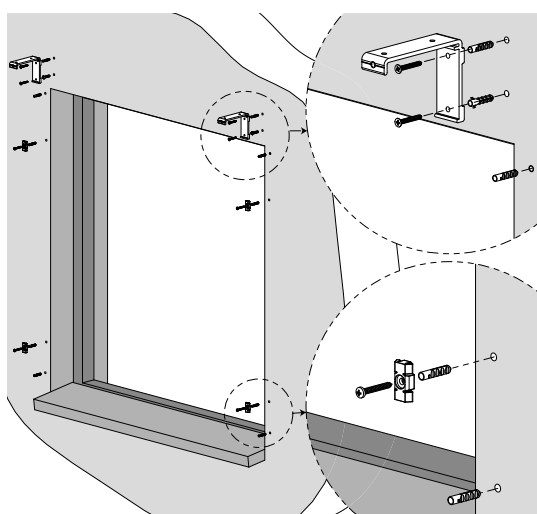
1. Umocować zaczepy na powierzchni montażowej. Następnie nasunąć listwy prowadzące na czopy bocznych konsoli. Upewnić się, że bloki ślizgowe dolnej lameli są prawidłowo zasunięte do rowków i że zamek na materiale zasunął się do części w kształcie U w plastikowym profilu prowadzącym.
2. Przykręcić listwy prowadzące do powierzchni montażowej.



## METODA 2: Umieszczenie kompletnego zestawienia kasety i listew prowadzących do otworu okiennego lub nad nim i zabezpieczenie śrubami.



Typ kasety	X
70	37
90	53
110	73
150	114



### Krok 1: Wywiercenie otworów na nośniki montażowe i listwy prowadzące

Na ścianie lub innej powierzchni montażowej zaznaczyć otwory, które mają być wywiercone (użyć do tego nawierconych bocznych listew prowadzących).

(Jeżeli zostały dostarczone, umocować najpierw nośniki montażowe kasety.)

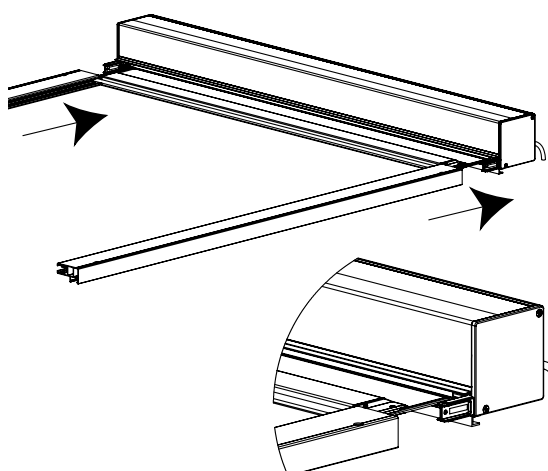
Wywiercić otwory w ścianie ( $\varnothing 6$  mm) lub ramie okna ( $\varnothing 3.2$  mm).

Instalując na ścianie zasunąć do otworów kołki rozporowe S6.

Umocować zaczepy na powierzchni montażowej.



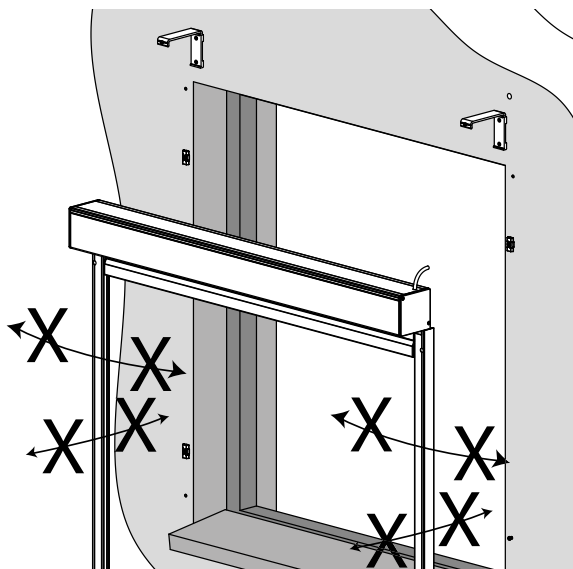
poziomnica



### Krok 2: Nasunięcie listew prowadzących na czopy konsoli na spodniej stronie kasety

Położyć kasetę rolety na kartonowe opakowanie (dbać o to, aby nie uszkodzić wykończenia powierzchni).

Następnie nasunąć listwy prowadzące na czopy bocznych konsoli.



Upewnić się, że bloki ślizgowe dolnej lameli są prawidłowo zasunięte do rowków i że zamek na materiale zasunął się do części w kształcie U w plastikowym profilu prowadzącym.

### Krok 3: Osadzenie kasety i listew prowadzących

Teraz podnieść kasetę z listwami prowadzącymi. Powinny to przeprowadzać minimalnie trzy osoby. Podnieść kasetę wraz z listwami prowadzącymi.

Umieścić kompletny zestaw do otworu okiennego.

W przypadku napędu elektrycznego zasunąć kable zasilający silnika do wewnątrz uprzednio wywierconym przepustem.



**Uwaga! Uważać, aby nie odłamać czopów posuwając listwy prowadzące za bardzo do przodu, do tyłu lub w bok.**

### Krok 4: Umocowanie kasety na nośniki montażowe i przykręcenie listew prowadzących

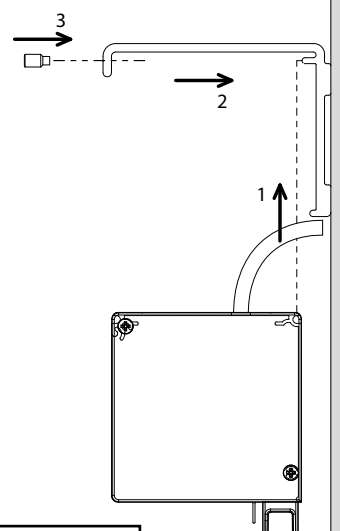
Nasunąć kasetę na górę do nośników montażowych.

Wsunąć kabel silnika do wewnątrz. Następnie popchnąć kasetę do nośników

tak, aby rowki na tylnej stronie kasety zapadały do profilu L.

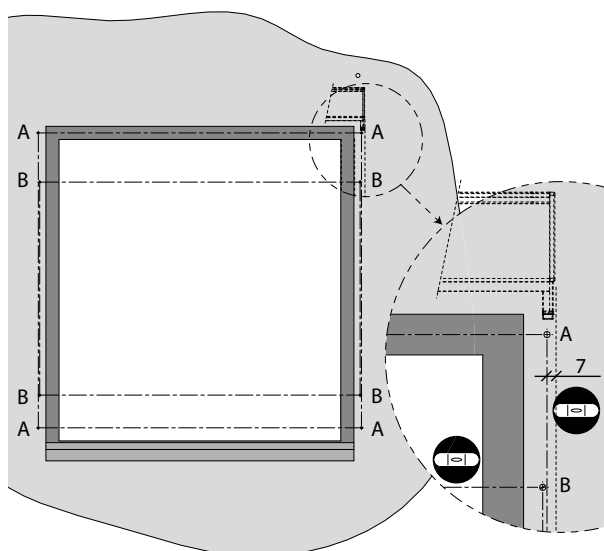
Następnie dokręcić śruby z sześciokątem wewnętrznym każdego nośnika. Śruby powinny trzymać w rowkach w górnej części czoła kasety.

Przykręcić listwy prowadzące do powierzchni montażowej.



**Zawsze upewnić się, że kasetę jest prawidłowo umocowana.**

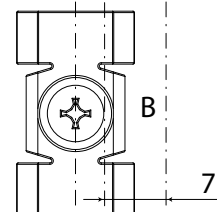
### METODA 3: Przykręcenie listew prowadzących, nasunięcie kasety do listew prowadzących (tylko w przypadku rolet bez nośników montażowych)



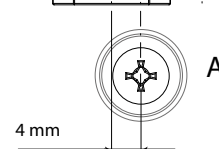
przelotowy otwór listwy prowadzącej

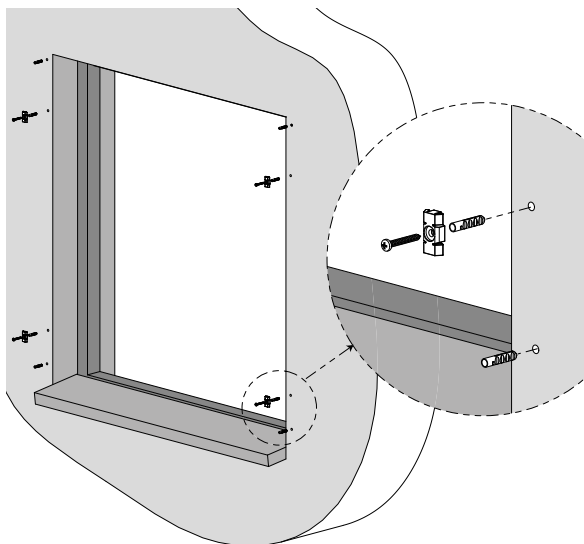


na zaczepy



przelotowy otwór listwy prowadzącej





### Krok 1: Wywiercenie otworów i umocowanie zaczepów

Na ścianie lub innej powierzchni montażowej zaznaczyć otwory, które mają być wywiercone (użyć do tego nawierconych bocznych listew prowadzących).

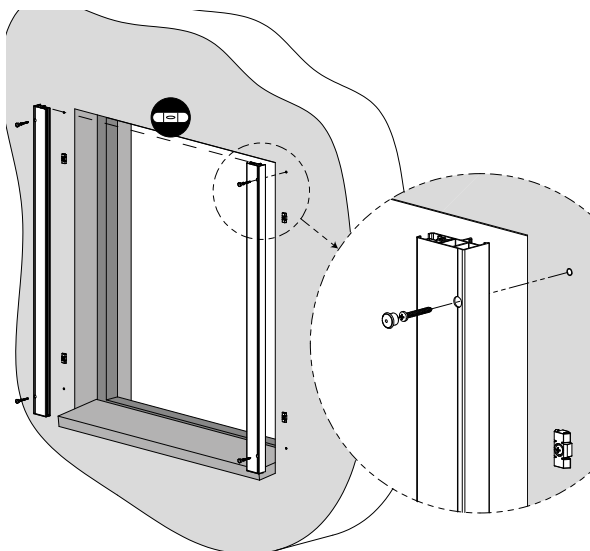
Wywiercić otwory w ścianie ( $\varnothing$  6 mm) lub ramie okna ( $\varnothing$  3.2 mm) z maksymalnym rozstawem 500 mm.

Instalując na ścianie zasunąć do otworów kołki rozporowe S6.

Umocować zaczepy do powierzchni montażowej.

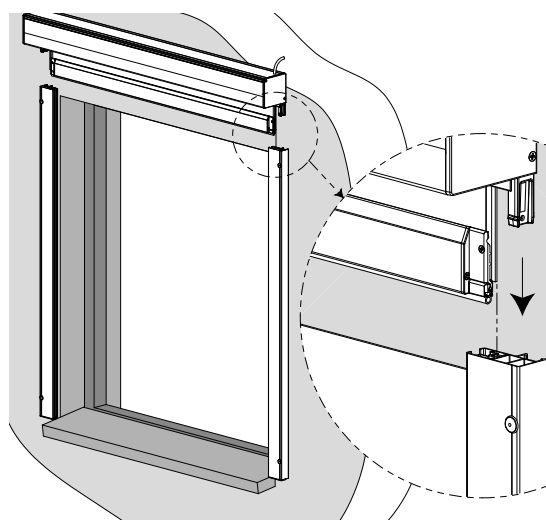


poziomnica



### Krok 2: Montaż listew prowadzących

Przykręcić listwy prowadzące do powierzchni montażowej. Zapewnić, aby górna strona wszystkich listew prowadzących była umieszczona dokładnie na tej samej wysokości i była pozioma.



### Krok 3: Nasunięcie kasety do listew prowadzących

Podnieść kasetę i wsunąć kabel silnika do wewnątrz.

Nasunąć kasetę tak, aby czopy konsoli zapadały do odpowiednich otworów w bocznych listwach prowadzących.

Upewnić się, że bloki ślizgowe dolnej lameli są prawidłowo zasunięte do rowków i że zamek na materiale zasunął się do części w kształcie U w plastikowym profilu prowadzącym.



**Zawsze upewnić się, że kasetę jest prawidłowo umocowana.**

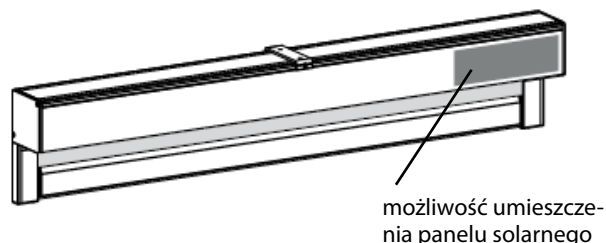
## SCREEN HR8-ZIP SOLAR

Roleta ekranowa z zasilaniem solarnym jest unikatową i w pełni zautomatyzowaną roletą, która jest obsługiwana bezprzewodowo i ma zerowe zużycie energii. Ta roleta działa na zasadzie tzw. zjawiska fotowoltaicznego – tj. przemiany promieniowania słonecznego na energię elektryczną. Chodzi o ekologiczne i energetycznie najoszczędniejsze rozwiązanie napędu rolet. Napęd jest zasilany z akumulatora o długiej żywotności doładowywanego z panelu solarnego, który działa przy każdej pogodzie.

Maksymalna powierzchnia 7,5 m<sup>2</sup>. Jedna jednostka solarna jest dostosowana do zasilania tylko jednej rolety ekranowej.

### Parametry tego wyrobu:

- kasetka tylko prostokątna
- rura  $\varnothing$  55 mm
- wymiary: patrz strona 72
- standard - akumulator wewnętrzny tylko dla kasetki 150
- opcjonalnie - użycie zewnętrznego akumulatora dla kasetki 90 i 110
- panel solarny jest zawsze na stronie silnika
- montaż typu B-BE (do szpalety) nie jest możliwy
- możliwość kilku rolet we wspólnej kasecie pod warunkiem, że każda roleta będzie miała własny silnik i akumulator zewnętrzny.



### Skład zestawu solarnego:

- \*Silnik
- panel solarny OximoWireFree resin 3,2 W
- akumulator Oximo WireFree, NiMH 12V, 2,2 Ah
- Kabel adaptera Oximo WireFree Wiring Harness

### \* Silnik

nazwa pozycji	nazwa handlowa	numer rysunku
SOLAR KIT „SUNEA 40 io“ 6/18	X.1241890	6-018887-0006
SOLAR KIT „SUNEA 40 io“ 10/12	X.1241891	6-018887-0010
SOLAR KIT „SUNEA 40“ 6/18 RTS DC	X.1241478	6-017545-0006
SOLAR KIT „SUNEA 40“ 10/12 RTS DC	X.1241479	6-017545-0010

### Akumulator Oximo WireFree

- Akumulator Typ NiMH
- Wymiary 420mm x  $\varnothing$  25 mm
- Klasa ochrony IPx4
- Czas ładowania maks. 3,5 godz.

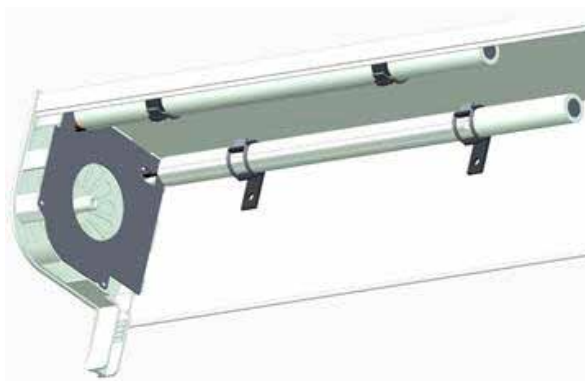
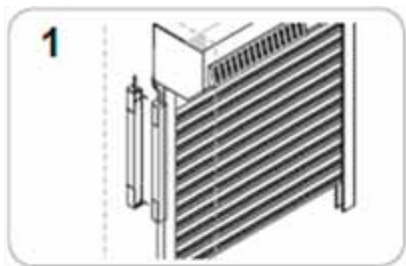
### Panel solarny Oximo WireFree

- materiał warstwowy czarny laminat szklany z przezroczystą żywicą epoksydową z technologią fotowoltaiczną
- pobór mocy 3,2 W
- wymiary 470 x 60 x 6 mm
- klasa ochrony X4 (ogniwa światłoczułe: IP67)
- dostarcza energię również przy zachmurzeniu

## Montaż zasilania solarnego:

Akumulator można zainstalować w pomieszczeniu, ale również umieścić na zewnątrz do kasety, ale tak, aby nie był narażony na bezpośrednie działanie czynników środowiska zewnętrznego, na akumulator nie może padać i świecić bezpośrednie słońce. Temperatura robocza wynosi od  $-20^{\circ}\text{C}$  do  $+70^{\circ}\text{C}$ . Klasa ochrony IP jest X4, co oznacza, że wyrób jest chroniony przed pryskającą wodą pod każdym kątem.

Akumulator Oximo WireFree TM musi być zainstalowany tak, aby był chroniony przed czynnikami pogodowymi. Może być np. umocowany za listwą prowadzącą rolety (1), za kasetą rolety, lub od spodu kasety (2), wewnątrz kasety rolety (3), pod ramą okienną lub w rogu wewnętrznej ściany - odpowiednie miejsce wybrać według umieszczenia, konstrukcji i typu rolety. Uwaga! Akumulator musi być dostępny w jakiegokolwiek pozycji rolety, aby zawsze był dostępny przycisk PROG, aby było możliwe jego utrzymanie, ewentualnie ładowanie ładowarką zewnętrzną lub jego wymiana. Nie zamykać akumulatora do hermetycznej obudowy. Jeżeli akumulator będzie zainstalowany w innej pozycji niż poziomo, wyprowadzenie kabla zasilającego musi być skierowane zawsze w górę.



Przykład umieszczenia akumulatora wewnątrz kasety.

Bateria znajduje się w pudełku tylko dla rozmiaru 150. W przypadku mniejszych obudów bateria znajduje się poza obudową.

## SCREEN HR10-ZIP



- ▲ Kasety zintegrowane do ściany przed oknem,
- ▲ bez perforacji płaszcza budynku,
- ▲ w pełni zintegrowana dolna listwa w zaciągniętej pozycji,
- ▲ nadaje się do domów niskoenergetycznych i pasywnych,
- ▲ Klasa odporności na wiatr 3.

**ISOTRA** *Quality*





## SCREEN HR10-ZIP (2-01450-0000)

pozycja	nazwa pozycji	Nazwa handlowa	numer rysunku
1	Profil dolny - HR10-ZIP	ZPH182	6-015158-0000
1	Wałek nawijający HR10-ZIP Al Ø 78x1,25mm - 4,5m	ZPH184	6-015160-0000
1	Wałek nawijający HR10-ZIP Al Ø 55mm - 6m	ZPH123	6-014027-0000
1	Wałek nawijający HR7/HR8-ZIP Al Ø 67mm - 6m	ZPH124	6-013982-0000
1	Wałek nawijający śr. 85x1,2mm - 6m	ZPA020	6-016860-0000
1	Pręt plastikowy 6,0 mm PVC	ZP0097/0006	6-016911-0006
1	Uszczelka listwy dolnej	ZPH116	6-013974-0000
1	Profil obciążnika listwy dolnej 20x20mm - Fe/Zn	ZPH202	6-015193-0000
1	Pręt plastikowy 3,0 mm PVC	ZP0097/0003	6-016911-0003
10	Ściana boczna - LEWA	ZPH175	6-015131-0000
10	Ściana boczna - PRAWA	ZPH174	6-015130-0000
10	Profil KASETA	ZPH176	6-015152-0000
10	Profil KASETA - dolny HR10-ZIP	ZPH177	6-015153-0000
10	Przesuwny moduł do ściany bocznej - lewy - czarny	ZPH185	6-015161-9004
10	Profil kątowy Al - 20 x 20 x 2 mm*	ZPH195	6-015179-0000
10	Przesuwny moduł do ściany bocznej - prawy - czarny	ZPH186	6-015162-9004
10	Montażowa płyta podstawy	ZPH187	6-015163-0000
10	Profil samoprzylepny 1800 mm	ZPH197	6-015184-0000
10	Uchwyt kabla - samoprzylepny	ZPH196	6-015183-0000
<b>20 - 22</b>	<b>Materiał dzielony do screen</b>		<b>patrz wzornik SCREEN</b>
220	Bezpiecznik końcówki listwy dolnej - PRAWA CZARNA	ZPH191	6-015175-9004
230	Bezpiecznik końcówki listwy dolnej - LEWA CZARNA	ZPH192	6-015176-9004
240	Końcówka listwy dolnej - LEWA - CZARNA	ZPH193	6-015177-9004
250	Końcówka listwy dolnej - PRAWA - CZARNA	ZPH194	6-015178-9004
320	Kołpak wałka Ø 78mm	ZPH199	6-015188-0000
320	Kołpak wałka Ø 67mm	ZPH139	6-013984-0000
320	Kołpak wałka Ø 55mm	ZPH136	6-014238-0000
320	Kołpak wałka Ø 67mm z kwadr. Otworem 12	ZPH141	6-013983-0000
320	Końcówka wałka śr. 85 mm - przelotowa	ZPA008/1	3-04003-9004
320	Kołpak wałka Ø 55mm z kwadr. Otworem 12	ZPH138	6-014243-0000
331	Wkładka końcówki wału - śr. 50mm	ZPA017	3-03486-9004
331	Nadstawka kołpaka wałka śr. 78mm	ZPH200	6-015189-0000
340	Kołek kołpaka wałka - 12 mm Fe/Zn	ZPH129	6-013985-0000
<b>350</b>	<b>Silniki (SOMFY, BECKER) SCREEN patrz silniki</b>		<b>patrz Silniki, strona 97</b>
350	Zabierak LT60 HI - PRO Ø 78mm	MRH 119	6-013868-0000
350	Zabierak LT50 HI - Ø 65mm	ZPH160	6-013980-0000
350	Zabierak LT50 HI - Ø 85mm	ZPH161	6-014326-0000
350	Zabierak LS40 - Ø 50mm	ZPH163	6-014328-0000
<b>360</b>	<b>Prowadzenie - listwa HR10-ZIP - lewe</b>		<b>2-01452-PU11L</b>
360	Click-profil do LP - HR10-ZIP**	ZPH180	6-015156-0000
360	Końcówka do Click profilu HR10-ZIP	ZPH201	6-015190-0000
360	Końcówka LP 1120 - HR10-ZIP - LEWA	ZPH188	6-015171-0000
360	Profil VL 1040 pro HR10-ZIP	ZPH206	6-015203-0000
360	Profil listwy prowadzącej 1040 część przednia	ZPH207	6-015204-0000
360	Końcówka LP 1040 - HR10-ZIP - LEWA / PRAWA	ZPH208	6-015205-0000
<b>370</b>	<b>Prowadzenie - listwa HR10-ZIP - prawe</b>		<b>2-01452-PU11P</b>
370	Profil listwy prowadzącej 1120 zamknięcie	ZPH178	6-015154-0000
370	Zacisk pokrywy kasety - czarny	ZPH179	6-015155-9004
370	Profil listwy prowadzącej 1120 zamknięcie	ZPH181	6-015157-0000
370	Sprężyna listwy prowadzącej ZIP	ZPH147	6-013992-0000
370	Profil prowadzący dla zip	ZPH145	6-014155-0000
370	Końcówka VL 1120 - prawa	ZPH189	6-015172-0000
370	Profil - uchwyt LP na zip - czarny	ZPH198	6-015185-0000

\*Do listew prowadzących typu 1120 i 1040 dostarcza się KASETĘ bez kątownika.

\*\*Do listew prowadzących typu 1120 z clip-profiłem, i 1040 z clip-profiłem dostarcza się KASETĘ z kątownikiem.

## Silniki SCREEN HR10-ZIP (2-01450-0000)

pozycja	nazwa pozycji	Nazwa handlowa	numer rysunku
101	Silnik ALTUS 50 RTS 10/17	MR 091/10	6-011170-0010
102	Silnik ALTUS 50 RTS 15/17	MR 091/15	6-011170-0015
103	Silnik ALTUS 50 RTS 20/17	MR 091/20	6-011170-0020
201	Silnik Sunea 50 Screen io 10/17	ZP0085	6-012559-1017
202	Silnik Sunea 50 Screen io 15/17	ZP0086	6-012559-1517
203	Silnik Sunea 50 Screen io 20/17	ZP0092/20	6-012559-2017
301	Silnik MAESTRIA +50 IO 10/17 VVF5M	ZP0085/1	6-012538-1017
302	Silnik MAESTRIA +50 IO 15/17 VVF5M	ZP0086/1	6-012538-1517
303	Silnik MAESTRIA +50 IO 25/17 VVF5M	ZP0087/1	6-012538-2517
401	Silnik MAESTRIA +50 WT 10/17 VVF3M	ZP0093/10	6-015258-1017
402	Silnik MAESTRIA +50 WT 15/17 VVF3M	ZP0093/15	6-015258-1517
403	Silnik MAESTRIA +50 WT 25/17 VVF3M	ZP0093/25	6-015258-2517
501	Silnik LS 40 9/16	PR0125	6-002624-0009
601	Silnik Sunea 40 Screen io 09/16 5m	ZP0091/16	6-014483-0009

## Silniki (Becker) Screen HR10-ZIP (6-015258 / 6-012538 / 6-002624 / 6-014483)

pozycja	nazwa pozycji	Nazwa handlowa	numer rysunku
510	Silnik BECKER 50 E 08/17	X.2010/1301590	6-017861-0008
510	Silnik BECKER 50 E 12/17	X.2010/1301600	6-017861-0012
510	Silnik BECKER 50 E 20/17	X.2010/1301450	6-017861-0020
500	Silnik BECKER 50 Screen C 08/17 PLUS	X.2010/1302170	6-018761-0008
500	Silnik BECKER 50 Screen C 12/17 PLUS	X.2010/1302180	6-018761-0012
500	Silnik BECKER 50 Screen C 20/17 PLUS	X.2020/1301860	6-018761-0020
500	Silnik BECKER 50 Screen C 30/17 PLUS	X.2020/1301890	6-018761-0030
500	Silnik BECKER 50 Screen C 40/17 PLUS	X.2020/1301920	6-018761-0040

\*Uwaga: E=mechaniczny (wyłącznik) / C=radiowy (pilot)

## Masa

W przypadku rolety wbudowanej o szerokości 3,0 metry i wysokości 1,5 metra masa całkowita wynosi ok. 34,5 kg.

Masa kasety z aluminiowym wałkiem nawijającym Ø67 mm, Masa dwóch standardowych listew prowadzących 1120: silnikiem i materiałem Satiné:

Kaseta	
DŁUGOŚĆ	MASA
1,0m	±13 kg
1,5 m	±16 kg
2,0m	±20 kg
2,5 m	±23 kg
3,0m	±27 kg
3,5 m	±30 kg
4,0m	±34 kg
4,5 m	±37 kg

2 LISTWY PROWADZĄCE	
DŁUGOŚĆ	MASA
0,5 m	±2,5 kg
1,0 m	±5 kg
1,5 m	±7,5 kg
2,0 m	±10 kg
2,5 m	±12,5 kg
3,0 m	±15 kg
3,5 m	±17,5 kg
4,0 m	±20 kg
4,5 m	±22,5 kg

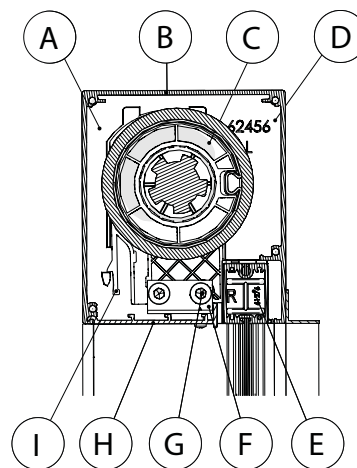
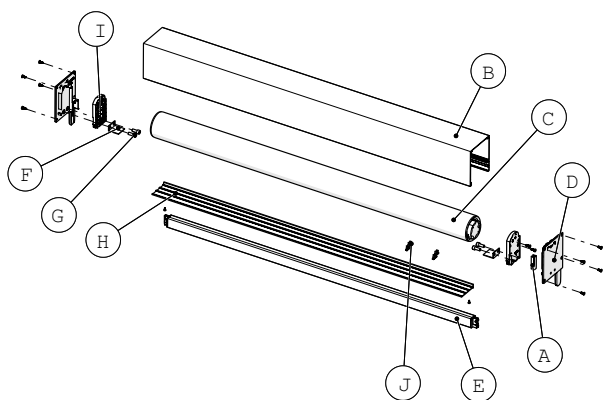
## Specyfikacja techniczna

### KASETA do SCREEN HR10-ZIP 2-01451-PU11)

Rama zewnętrzna kasety rolety składa się z dwóch części z ekstrudowanego aluminium: profilu kasety w kształcie U (B) i dolnego profilu kasety (H). Boki są zamknięte ścianami bocznymi (D), do których może być w pomoc przesuwanych modułów (I) włożony wałek nawijający z materiałem (C). Montażowe płyty podstawy (F) są wspólnie z przesuwными modułami umocowany w ścianach bocznych z pomocą śrub (G). Następnie można boczne strony dolnego profilu kasety przykręcić do tych montażowych płyt podstawy.

Kabel silnika prowadzi przez przepust kablowy (A) w ścianie bocznej i jest umocowany uchwytem kabla (J) na dolnym profilu kasety.

Dla podtynkowej rolety ekranowej HR10-ZIP jest do dyspozycji tylko jeden typ kasety, którego wymiary w przekroju wynoszą 122 mm × 140 mm.



(A) przepust kablowy

(D) ściana boczna

(G) śruby M8×18

(I) przesuwany moduł

(B) profil kaseta

(E) profil dolny

(H) profil kaseta dolny

(J) uchwyt kabla

(C) wałek nawijający

(F) montażowa płyta podstawy



Zapewnić, aby zawsze było możliwe otwarcie płyty podstawy kasety i zawieszony profil listwy prowadzącej (patrz sekcja Listwy prowadzące), dzięki czemu będzie zapewniony stały dostęp do części mechanicznych. W przypadku niedotrzymania tej zasady spółka ISOTRA nie odpowiada za koszty związane z pracami rozbiórkowymi, malowaniem lub tapetowaniem!

**Uwaga: Jeżeli kaseeta jest zainstalowana odwrotnie, musi być możliwe otwarcie okna do wewnątrz. Jeżeli dojdzie do usterki z opuszczoną roletą, kaseeta musi być dostępna od wewnątrz.**

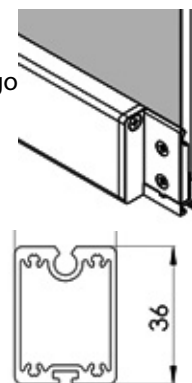
**Profil dolny** (6-015158-0000)

Dolny profil składa się z dwuczęściowego (lewego i prawego) bloku ślizgowego i profilu z ekstrudowanego aluminium lakierowanego proszkowo.

Profil posiada:

- Rowek do bezśrubowego umocowania materiału z pomocą pręta  $\varnothing 3$  mm
- Komorę na pasek usztywniający
- Rowek na spodniej stronie do włożenia gumowego zderzaka (można go zastąpić szczotką)

Podwójny blok ślizgowy zapewnia prawidłowe napięcie materiału.

**Wałek nawijający**

W zależności od szerokości i typu materiału jest użyty bądź wałek nawijający  $\varnothing 55$  mm z ekstrudowanego aluminium, lub wałek  $\varnothing 78$  mm z ocynkowanej blachy stalowej (patrz tabela).

Wałki nawijające posiadają rowek do umocowania materiału z pomocą pręta  $\varnothing 4$  mm dla wałka  $\varnothing 55$  mm lub pręta  $\varnothing 6$  mm dla wałka  $\varnothing 78$  mm.

Na obu stronach wałka nawijającego jest umieszczony stożkowy sworzeń. Na stronie napędu chodzi o otwarty sworzeń dostosowany do silnika.

Wałek nawijający	$\varnothing 55$ mm*	$\varnothing 78$ mm
	Materiał Pręt	6-015160-0000
Szerokość całkowita rolety	aluminium	blacha ocynkowana
Soltis 92	$\varnothing 4$ mm	$\varnothing 6$ mm rowkowana
<b>Satiné Blackout</b>	655–815 mm	815–4500 mm
<b>Satiné</b>	655–815 mm	815–4500 mm
<b>Blackout</b>	655–815 mm	815–4500 mm

\*Standardowo dostarczany silnik LS40, Sunea 40 io lub Becker  $\varnothing 40$ . Dla wersji RTS trzeba zamówić do silnika LS40 shutter in the wall.

**Ściana boczna lewa/prawa** (6-015130-0000/6-015131-0000)

- Wymiary: 122 x 140 mm

Aluminiowe ściany boczne mają zintegrowany czop, który zapada do dolnego profilu listwy prowadzącej. Wewnątrz są pionowe rowki; do jednego z nich zapada dolna lamela a do drugiego przesuwny moduł, który tu mocno wciśnie się.

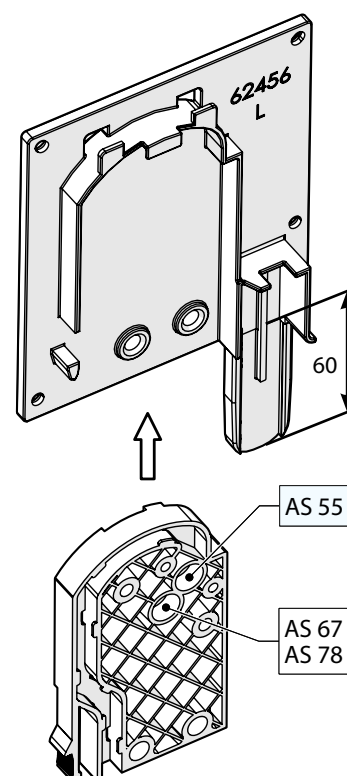
**Przesuwny moduł ściany bocznej lewy/prawy czarny**

(6-015161-9004/6-015162-9004)

Wymiary: 66,5 x 115 mm

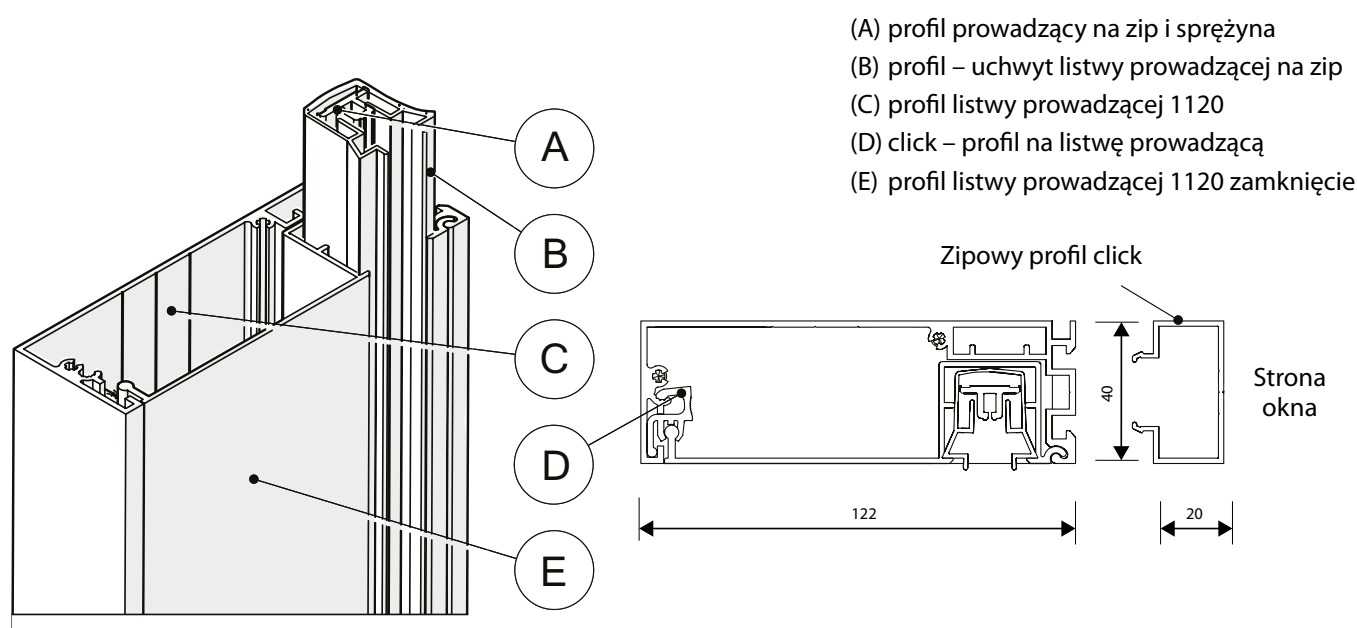
Przesuwne moduły są wyprodukowane z poliamidu zbrojonego włóknem szklanym. Posiadają kilka otworów do umocowania silnika na stronie napędu i otwór na wałek nawijający na przeciwnej stronie. Dla każdej średnicy wałka muszą być użyte takie same otwory. Po naciśnięciu zatraskowego czopu można wyjąć przesuwny moduł ze ściany bocznej.

Od spodu są dwa otwory do umocowania ogranicznika płyty podstawy do ścian bocznych.



## Listwy prowadzące

### Listwa prowadząca 1120 (6-015157)



- (A) profil prowadzący na zip i sprężyna
- (B) profil – uchwyt listwy prowadzącej na zip
- (C) profil listwy prowadzącej 1120
- (D) click – profil na listwę prowadzącą
- (E) profil listwy prowadzącej 1120 zamknięcie

Kompletne szerokie listwy prowadzące 1120 składają się z profilu podstawowego (C), profilu zawieszonoego (E) i uchwytu (B) z profilem zipowym (A). Od spodu podstawowej części każdej listwy prowadzącej jest aluminiowa końcówka. Na stronie okna zawieszony profil zawiesi się do profilu podstawowego listwy prowadzącej a na zewnętrznej stronie zawieszony profil zatrzaśnie się do plastikowych uchwytów (D), które są umieszczone od spodu (patrz rysunek). Uchwyt i profil zipowy można włożyć tylko wtedy, kiedy zawieszony profil jest zamknięty, ponieważ uchwyt i profil zipowy są o 35 mm dłuższe niż listwa prowadząca i najpierw umieści się do kasety a następnie do zawieszonoego profilu.

Profil podstawowy i zawieszony są wyprodukowane z ekstrudowanego aluminium lakierowanego proszkowo. Uchwyt i profil zipowy są wyprodukowane z tworzywa sztucznego.

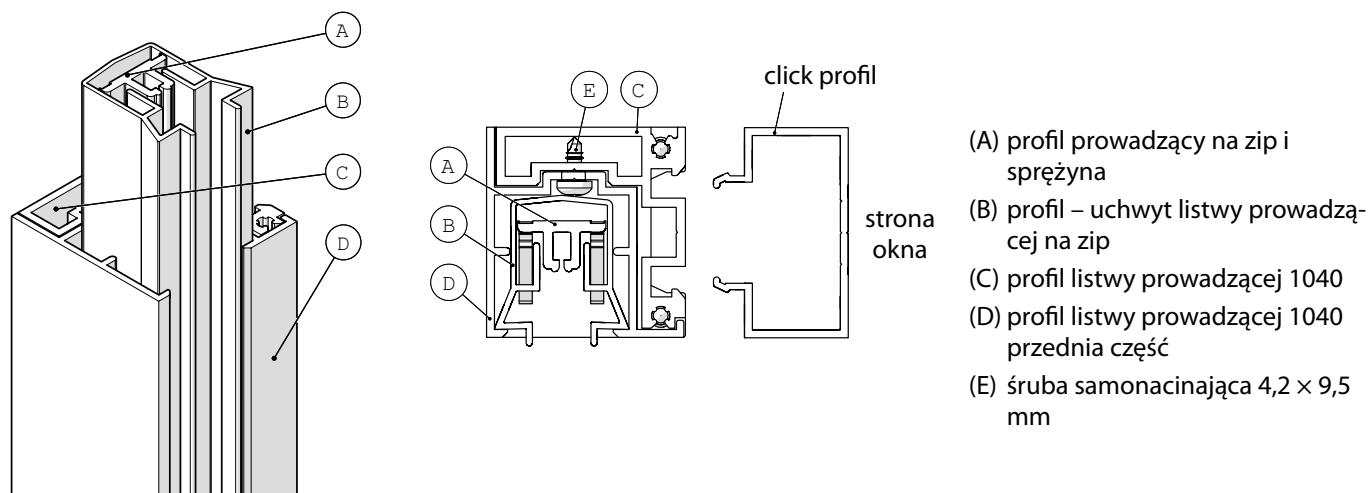
jeżeli chcemy między roletę i okno umieścić siatkę przeciwko owadom, trzeba między kasetę i listwę prowadzącą włożyć specjalne profile click.

Podczas montażu rolety HR10-ZIP trzeba najpierw umocować podstawowe części na ramie okna z potrzebną dokładnością (patrz instrukcja instalacji!). Do każdej listwy prowadzącej jest do dyspozycji dostateczna liczba śrub.

W razie wybrania profilu click zatrzaśkowe profile są umocowane do spodniej części końcówką z użyciem tych śrub. Podstawowe części następnie można zatrzasnąć do tych profili.

Następnie na listwy prowadzące umocuje się kasetę rolety ze sworzniami w listwach prowadzących.

## Listwa prowadząca 1040 (6-015203)



Kompletne szerokie listwy prowadzące 1040 składają się z profilu podstawowego (C), profilu przedniego (D) i uchwyty (B) z profilem zipowym (A). Od spodu podstawowej części każdej listwy prowadzącej jest aluminiowa końcówka. Przedni profil umocuje się do profilu podstawowego listwy prowadzącej z pomocą śruby samonacinającej (patrz rysunek 7b). Uchwyt i profil zipowy można włożyć tylko wtedy, kiedy przedni profil jest umocowany, ponieważ uchwyt i profil zipowy są o 35 mm dłuższe niż listwa prowadząca.

Profil podstawowy i przedni są wyprodukowane z ekstrudowanego aluminium lakierowanego proszkowo. Uchwyt i profil zipowy są wyprodukowane z tworzywa sztucznego.

Jeżeli chcemy między roletę i okno umieścić siatkę przeciwko owadom, trzeba między kasetę i listwę prowadzącą włożyć specjalne profile click. Podczas montażu rolety HR10-ZIP trzeba najpierw umocować podstawowe części na ramie okna z potrzebną dokładnością (patrz instrukcja instalacji!). Do każdej listwy prowadzącej jest do dyspozycji dostateczna liczba śrub.

W razie wybrania profilu click zatraskowe profile są umocowane do spodniej części końcówką z użyciem tych śrub. Podstawowe części następnie można zatrzasnąć do tych profili.

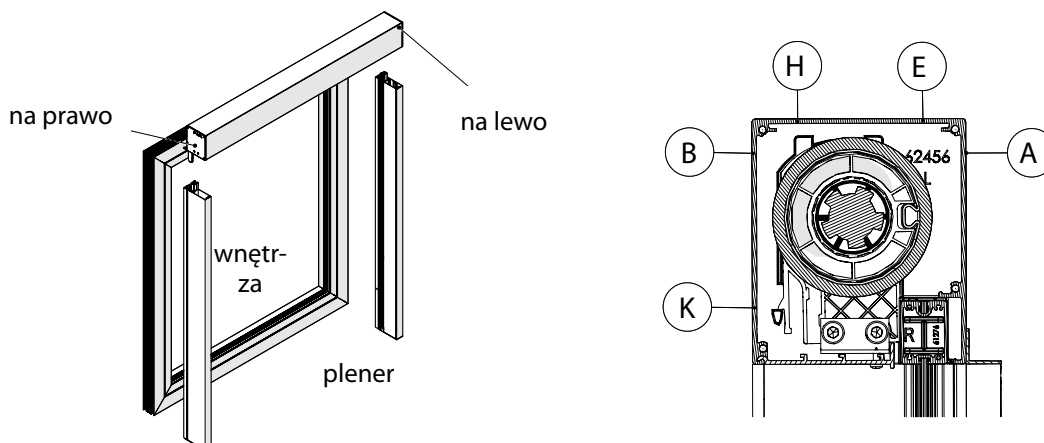
Następnie na listwy prowadzące umocuje się kasetę rolety ze sworzniami w listwach prowadzących.

## Obsługa

### Podtynkowa roleta ekranowa HR10-ZIP jest zawsze opisywana patrząc od wewnątrz (WNĘTRZE).

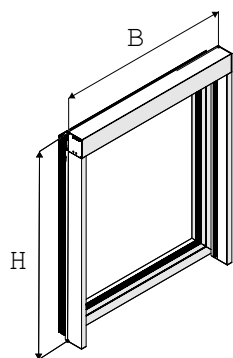
Roleta HR10-ZIP ma zawsze napęd elektryczny, który może być umieszczony po lewej lub prawej stronie. Po wybraniu strony napędu można wybrać, czy kabel będzie przechodził po bocznej listwie prowadzącej, czy otworem, który wywierci się w górnej lub tylnej części profilu kasety (patrz rysunek 6).

Silniki mają czas pracy ciągłej ok. 4 minuty, następnie przełączają się do trybu ochrony termicznej (patrz instrukcja silnika).



## SCREEN HR10-ZIP

### Wymiarzenie



Podaje się następujące wymiary:

B – szerokość

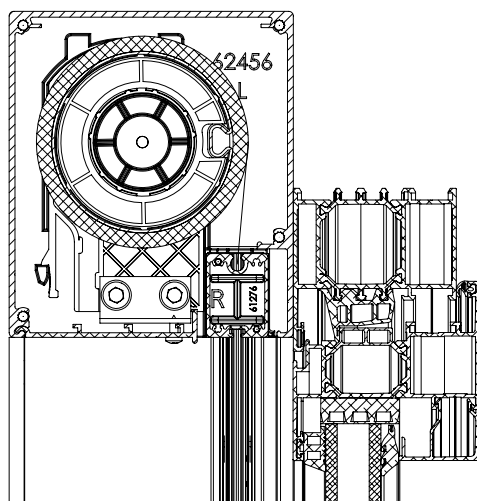
H – wysokość

Finalna szerokość B równa się szerokości kasety, co również odpowiada odległości między zewnętrznymi krawędziami lewej i prawej listwy prowadzącej. Podana szerokość nie zawsze równa się szerokości okna, ale zależy od wykonania okna (patrz rysunek).

Wysokość finalna H równa się wysokości wraz z kasetą i końcówkami listew prowadzących. Oba wymiary są podane w mm.

### Montaż

Sam montaż składa się z 4 kroków.

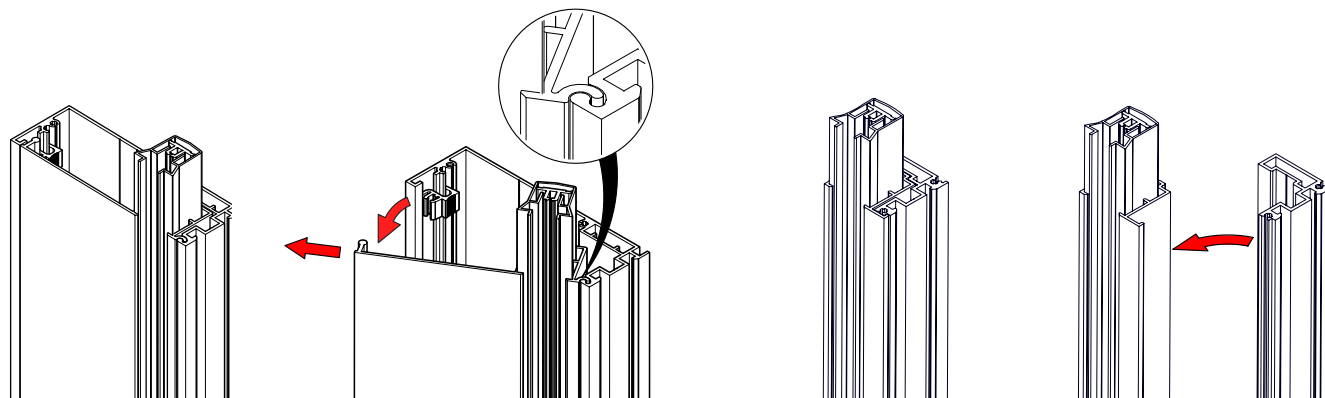


#### 1. krok

Listwy prowadzące są dostarczane już zamontowane. Zamknięcie listwy prowadzącej musi zostać usunięte, zanim profil podstawowy listwy prowadzącej jest zamontowany na okno. Profil prowadzący na zip może zostać w zamknięciu listwy prowadzącej.

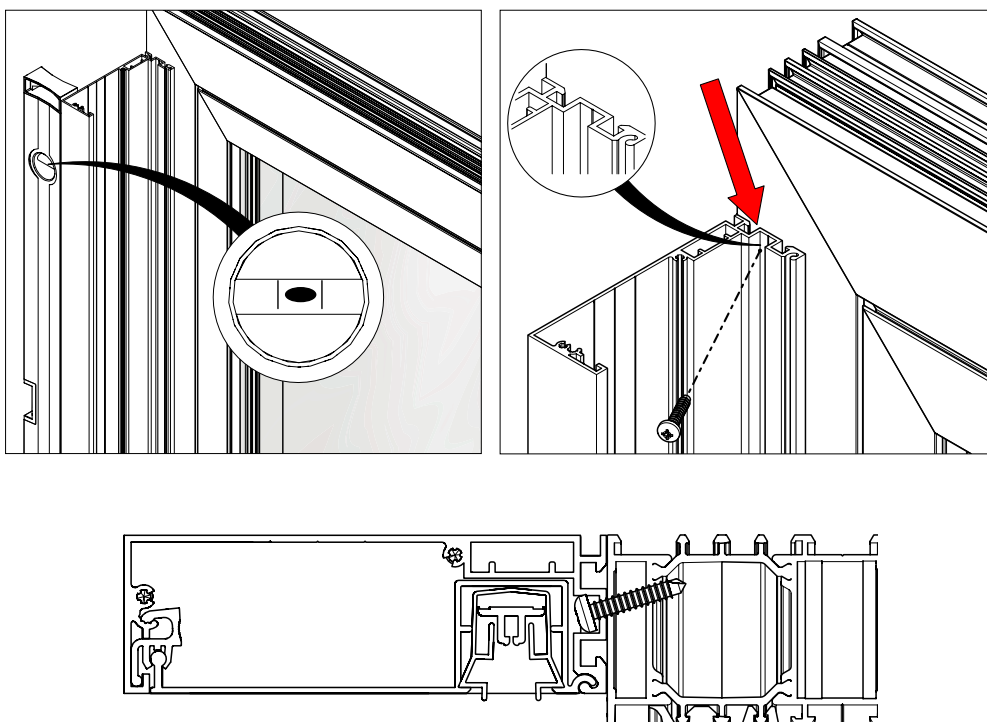
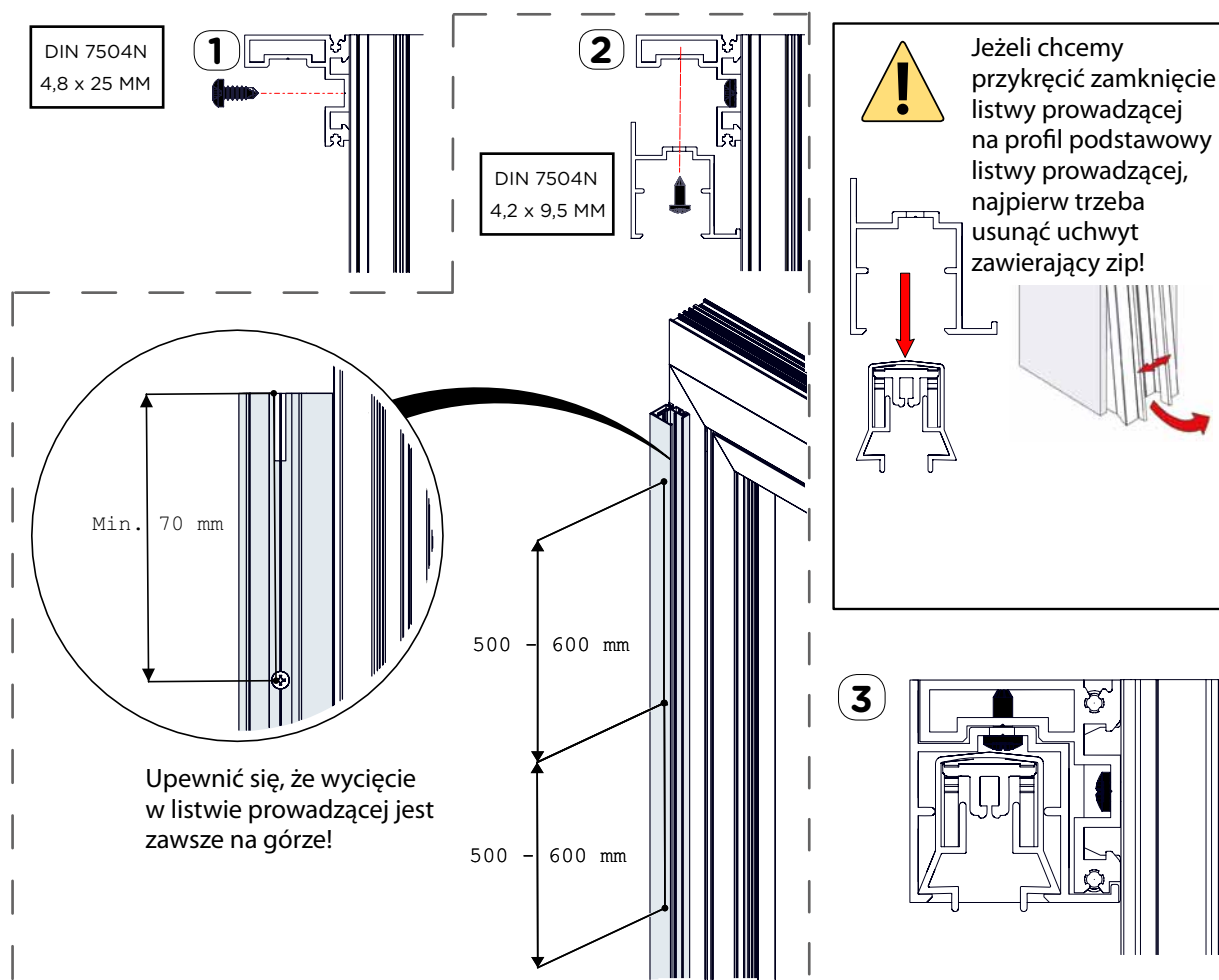
Listwa prowadząca 1120

Listwa prowadząca 1040

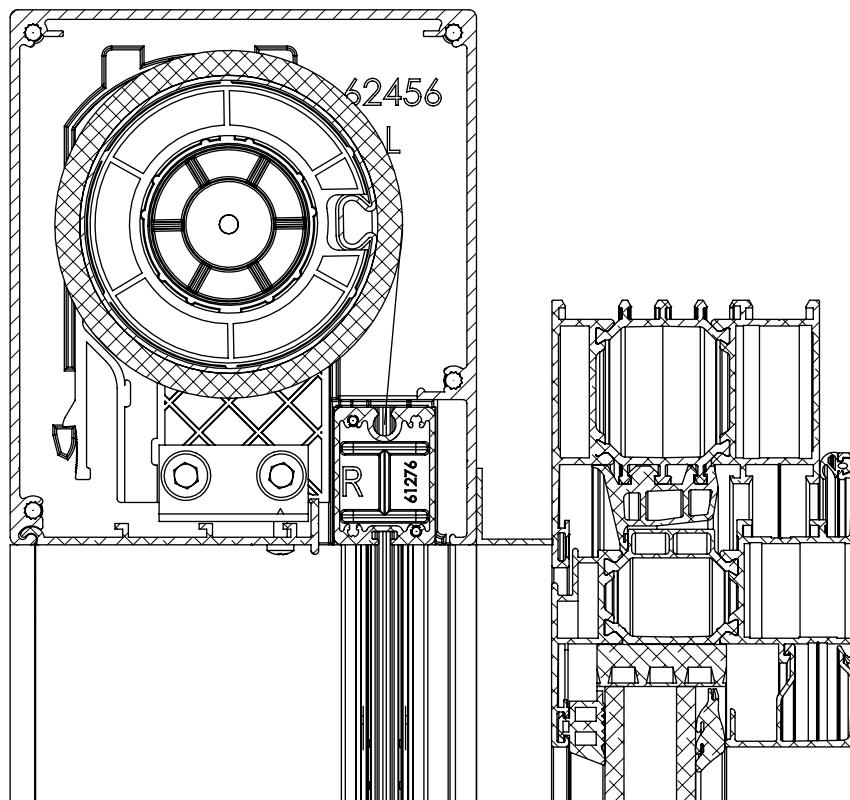


**2. krok**

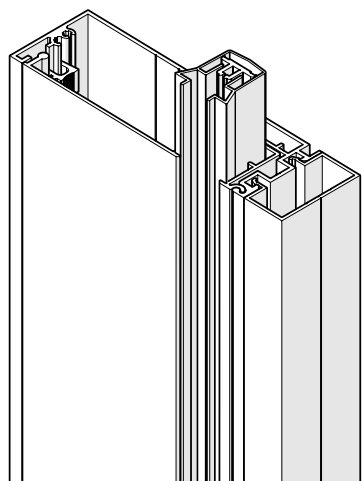
Zamontować profil podstawowy listwy prowadzącej na okno z pomocą dostarczonych śrub.

**Listwa prowadząca 1120****Listwa prowadząca 1040 = listwa prowadząca 1120 zamontowana na powierzchni**

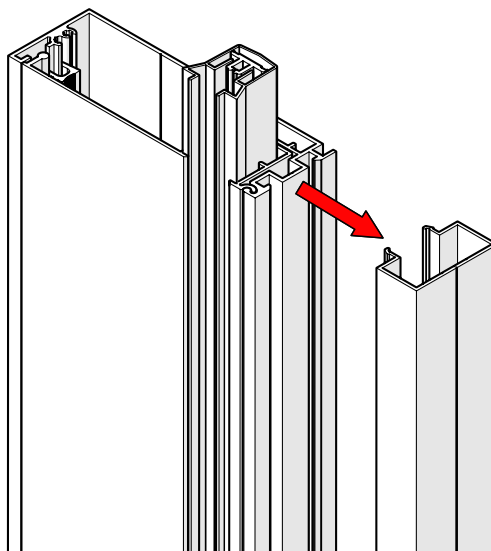
## Listwa prowadząca 1120 – click profil



- Listwy prowadzące są dostarczane już zmontowane. Click profil musi zostać usunięty z profilu podstawowego.



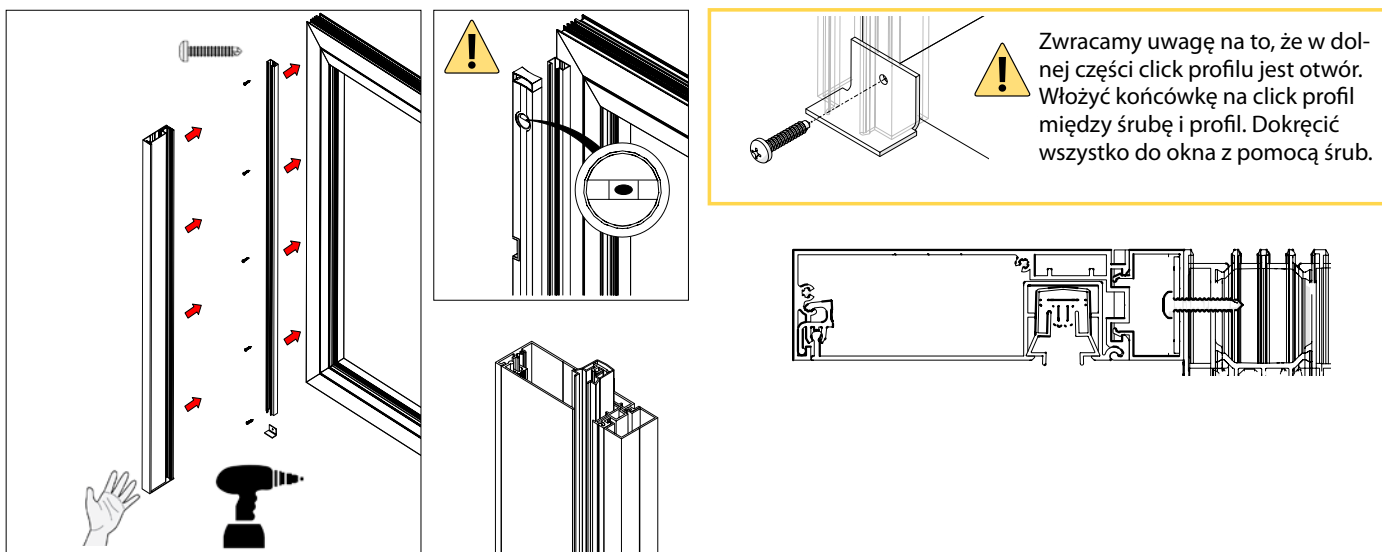
Click profil musi być odłączony od profilu podstawowego przed zamontowaniem na okno.





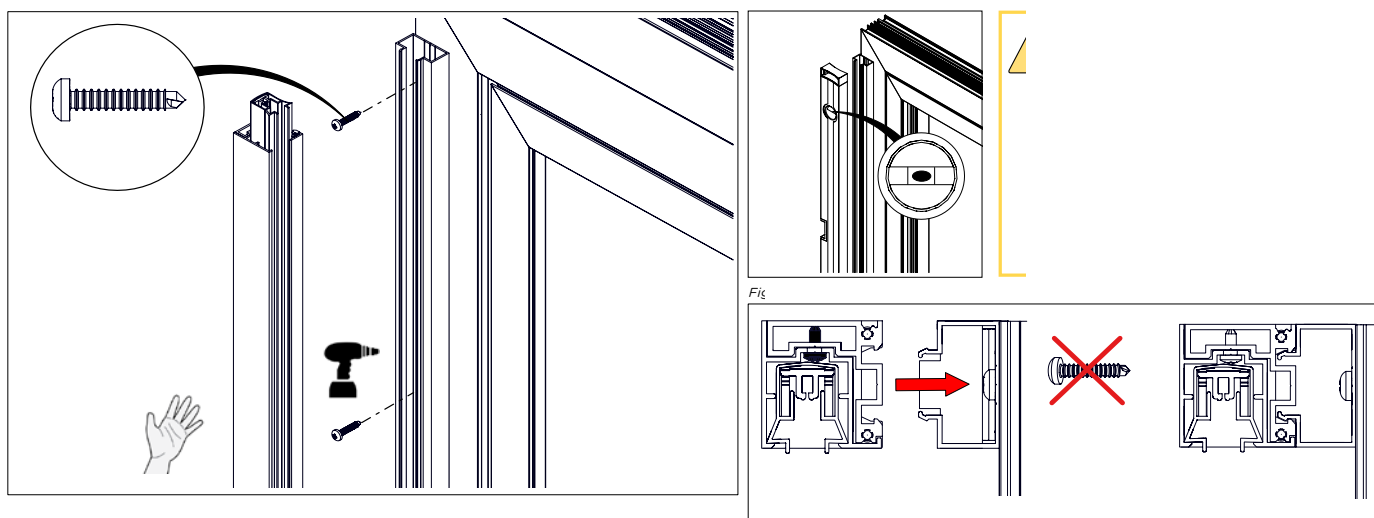


Trzeba pamiętać, że trzeba przykręcić tylko click profil na okno. Profil podstawowy listwy prowadzącej zostanie następnie umocowany do click profilu z pomocą click złączki.

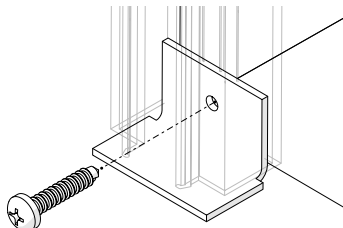


### Listwa prowadząca 1040 – click profil

Montaż jest taki sam jak listwy prowadzącej 1120. Listwa prowadząca jest dostarczana już zamontowana. Przypiąć listwę prowadzącą do click profilu (po jego umocowaniu na okno).

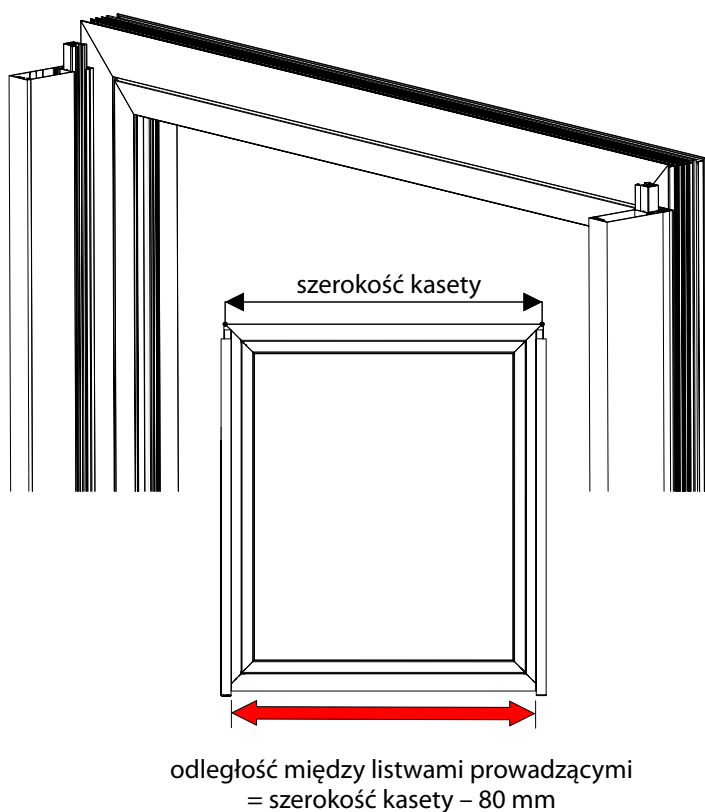


Należy pamiętać, że na spodniej stronie click profilu jest mały otwór. Do tego otworu umieścić dostarczoną końcówkę między śrubą i profil. Wszystko mocno przykręcić do okna.



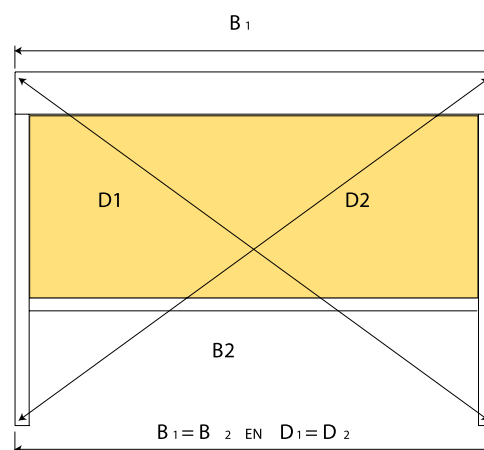
### 3. Krok

Przeprowadzić taką samą procedurę montażową dla następujących listew prowadzących.



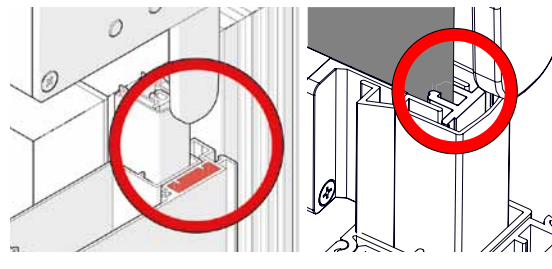
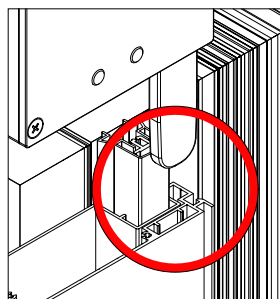
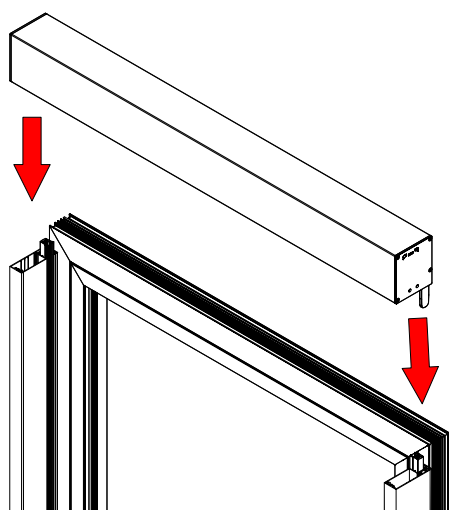
Upewnić się, że roleta ekranowa tworzy zawsze doskonały kwadrat. Można to sprawdzić tylko w jeden sposób.

Skontrolować, czy listwy prowadzące są równoległe i prostopadłe do kasety. Zmierzyć odległość między listwami prowadzącymi z dokładnością do milimetra. Zacząć bezpośrednio pod kasetą. Odchyłki większe niż 2 mm mogą powodować problemy z roletą i/lub listwą prowadzącą a materiał nie musi być dobrze napięty. Przeprowadzić dalsze pomiary z dokładnością do milimetra przez przekątne. Jeżeli kasetka i listwy prowadzące nie są zamontowane prawidłowo, dolna listwa może się zrolować ukośnie do kasety i materiał będzie pofałdowany.

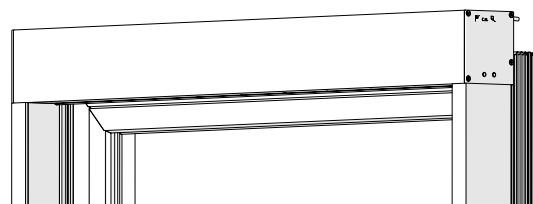


### 4. Krok

Po zamontowaniu obu listew prowadzących opuścić kasetę na listwy prowadzące. Upewnić się, że kołki ścian bocznych zapadły do listew prowadzących a zip jest umieszczony w prowadnicy zipu.



Upewnić się, że zip jest zasunięty do zipowego profilu prowadzącego.



## SCREEN ZIP

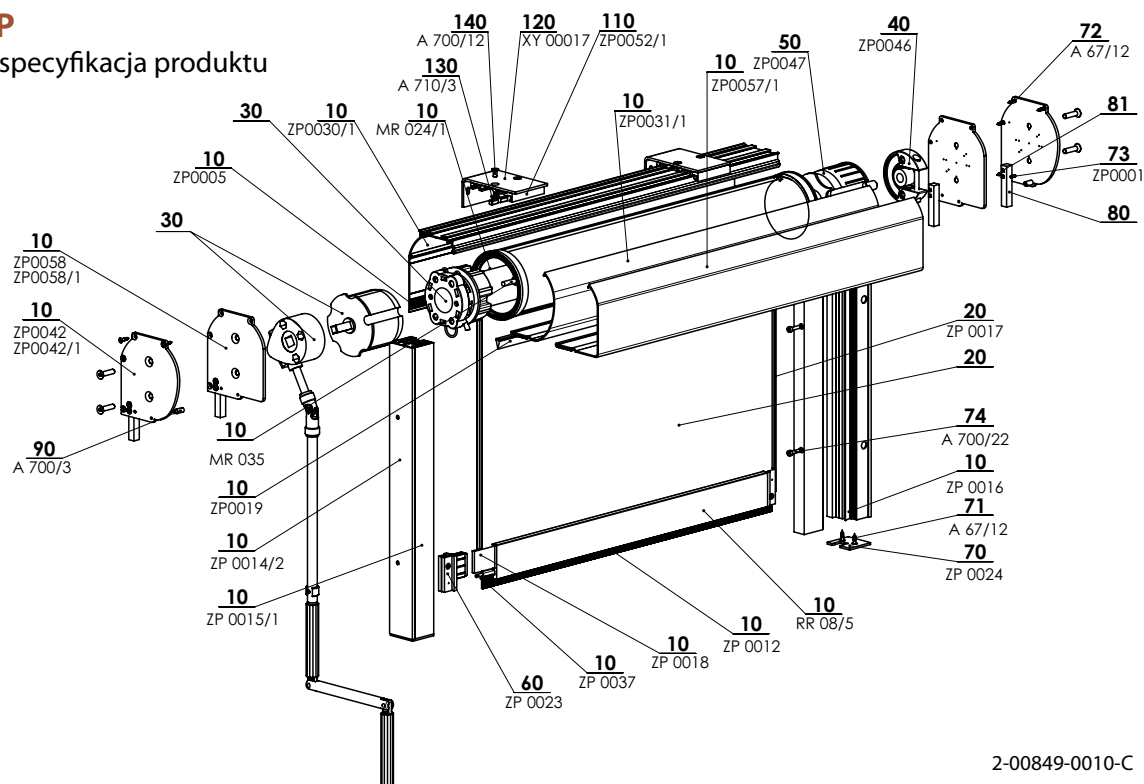


- ▲ Dekoracyjny i nowoczesny element zewnętrzny budynków,
- ▲ minimalne przenikanie światła dzięki absolutnemu napięciu materiału,
- ▲ Klasa odporności na wiatr 3,
- ▲ efekt termoregulacyjny,
- ▲ ochrona przed owadami w zamkniętej pozycji,
- ▲ kolory konstrukcji według wzornika RAL.

**ISOTRA** *Quality*

## SCREEN ZIP

### Podstawowa specyfikacja produktu



2-00849-0010-C

### Obsługa

Służy do spuszczenia i podnoszenia rolety ekranowej.

**Silnik** - możliwość sterowania z pomocą czujnika słońce / wiatr, ewentualnie pilotem zdalnego sterowania lub wyłącznikiem.

**Korbka** - przeciągnięcie prętowego mechanizmu do obsługi do wnętrza przeprowadza się pod kątem między 45° i 90° z pomocą przepustu i pręta sześciokątnego (Kolory: szary / anodowane).

### Specyfikacja

	Profil górny			Dolny profil	Boczne prowadzenie listwa prowadząca	Montaż
	Kaseta	Kaseta	wałek nawijający			
<b>Nazwa handlowa</b>	C 105	CT 105	MR 024/1	FZ 47	GS40	do stropu (do otworu okiennego) na ścianę (przed otwór okienny)
<b>Wymiar (mm)</b>	103x116,5	104,5x116,5	Ø 78 mm	20x47,4	40x42,2	
<b>Materiał</b>	Al	Al	Fe	Al	Al	
<b>Kolor</b>	Standardowy: RAL 9006 jasno srebrny RAL 9007 ciemno srebrny RAL 9010 biały			RAL 7016 antracytowo szary RAL 7016S antracytowo szara struktura RAL 8014 brązowy pozostałe kolory RAL na życzenie*		

\*oprócz części plastikowych, maksymalna szerokość 4000 mm 4000 mm

Nietypowych wariantów nie produkujemy..

### Standardowe wymiary

Wersja	Szerokość (mm)		Wysokość (mm)		Gwarantowana powierzchnia (m <sup>2</sup> )
	min.	maks.	min.	maks.	
Silnik	800	4500	500	3000	13,5
Korbka	500	4500	500	3000	13,5

### Materiały typu Blackout:

Nieprzepuszczalna warstwa przy każdym typie montażu jest umieszczona na stronie okna. W przypadku montażu na zewnątrz silny wiatr może spowodować nieznaczne podnoszenie dolnej listwy i materiału, dlatego nie zawsze można gwarantować 100% zaciemnienie. W przypadku materiałów Blackout zipy są umocowane na stronie licowej, nie na warstwie przezroczystej, dlatego jest możliwe, że przy silnym wietrze lub patrząc z boku na listwę prowadzącą będzie widać kawałek materiału z taśmy zipu, ale ma to małe znaczenie w porównaniu z widokiem lub szczelnością materiału (ograniczenie fałdowania).

### Normalne zjawiska związane z tkaninami technicznymi

W okolicy zgrzewu lub pośrodku tkaniny może dojść do sfaldowania materiału, tzw. efektu choinkowego. To zjawisko jest normalne, ponieważ podczas używania na materiał działają różne siły. Następnym zjawiskiem mogą być widoczne odciski od walca na materiale. Znikną one przy wyższej temperaturze, kiedy materiał wyrówna się.

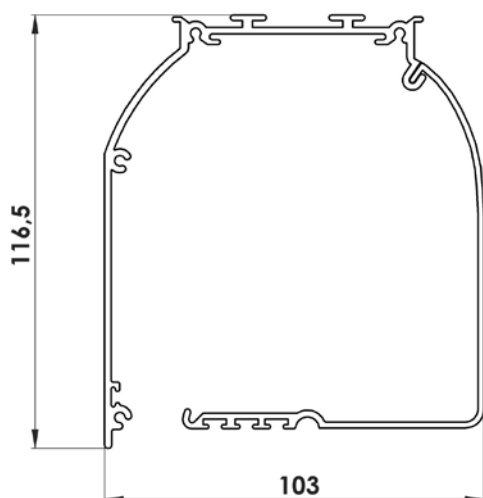
## SCREEN ZIP (2-00849-0010)

pozycja	nazwa pozycji	Nazwa handlowa	numer rysunku
10	Listwa dolna Al - FZ 472	RR 08/5	7-302966-0000
10	Obciążnik screen płaski (cynkowany ogniowo)	ZP0018	3 01381-PU27
10	Szczotka szer.4.8 x wys. 7mm czarna	ZP0005	6-009219-0000
10	Pręt plastikowy 3,8 mm	ZP0037	6-009163-0000
10	Pokrywa Al. - CT105 górna, stała, surowa	ZP0030/1	7-302968-0000
10	Pokrywa Al. - CT105 dolna, rewizyjna, okrągła, surowa	ZP0031/1	7-302969-0000
10	Pokrywa Al. - CT105 dolna, rewizyjna, prostokątna, surowa	ZP0057/1	7-302971-0000
10	Wiekó boczne anod., CT105 okrągłe, surowe - para	ZP0042	6-009194-0002
10	Wiekó czarne okrągłe - para	ZP0042/1	2-01007-0000
10	Wiekó boczne anod., CT105 prostokątne, surowe - para	ZP0058	6-011456-0000
10	Wiekó boczne prostokątne - para	ZP0058/1	2-01008-0000
10	Szczotka szer.4.8 x wys. 12mm czarna	ZP0012	6-009148-0000
10	Uszczelka PVC 5,5 x 12 mm	ZP0019	6-008716-0000
10	Wałek nawijający markizy śr. 78 mm - 6 m	MR 024/1	6-011084-0078
10	Pręt plastikowy 6,0mm PVC	ZP0097/0006	6-016911-0006
10	Wkładka ZIP do GS 40 czarna	ZP0016	6-008707-0001
10	Listwa prowadząca Al - GS 40	ZP0014/2	7-303770-0000
10	Listwa w zamkn. Al - GS 40	ZP0015/1	7-302972-0000
<b>20</b>	<b>Materiał screen</b>		<b>patrz wzornik SCREEN</b>
20	ZIP (podwójny, rozrywa się na 2 części)	ZP0017	6-008709-0000
<b>30</b>	<b>Silniki (SOMFY) screen</b>		<b>patrz Obsługa</b>
<b>30</b>	<b>Przekładnia + korbka do screen</b>		<b>patrz Obsługa</b>
40	Uchwyt Al z tuleją komplet do silnika	ZP0046	6-009209-0000
50	Kołpak wałka śr. 78 PVC - teleskopowy	ZP0047	6-009210-0078
60	Końcówka listwy dolnej FZ 47 komplet	ZP0023	6-008949-0503
70	Końcówka LP - P/L	ZP0024/1	7-303027-0000
71,72	Wkręt 3,5x16 DIN 7997	A 67/12	6-009093-0000
73	Kołek sprężynowy 3x12 DIN 7346	ZP0001	6-009807-0000
74	Śruba imbus M4x16, DIN 912	A 700/22	6-012632-0000
80	Uchwyt LP - screen		7-303793-0000
81	Śruba M4x16 stal nierdzewna DIN 965-H 965-H		6-014750-0000
90	Śruba zabezpieczająca pokrywy M4	A 700/3	7-303030-0000
110	Profil - uchwyt stały do Screen	ZP0052/1	3 03058-PU11
120	Kątownik Fe gięty 100/40	XY 00017	3 02233-PU22
130	Nakrętka M5 DIN 6923 z kołnierzem zębatym	A 710/3	6-011882-0000
140	Śruba M5x10 Zn DIN 965-H	A 700/12	6-003186-0000

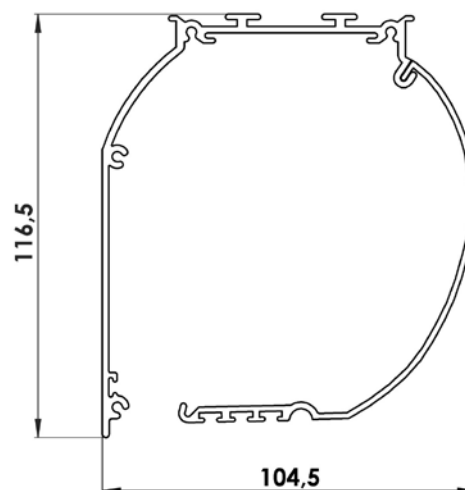
## SCREEN ZIP

Specyfikacja techniczna

**Profil górny C 105**

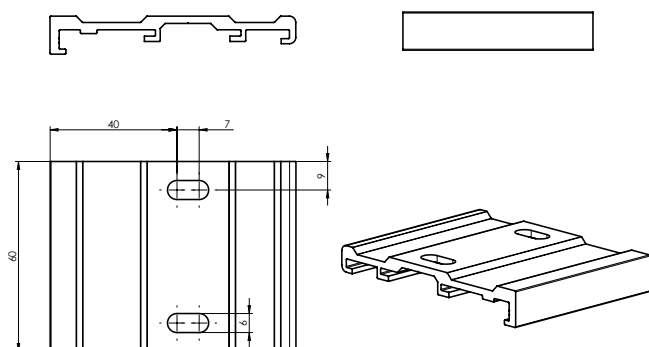


**Profil górny CT 105**



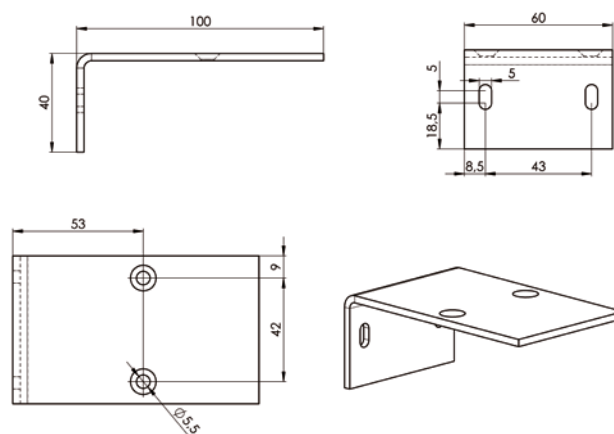
**Uchwyt profilu górnego**

(3-03058-PU11)



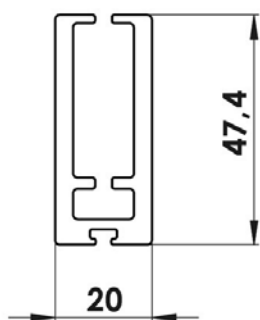
**Konsola L**

(RO-018, 7-302233)



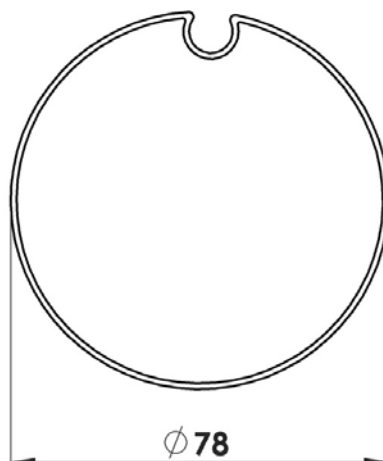
**Profil dolny FZ 47**

(3-03058-PU11)



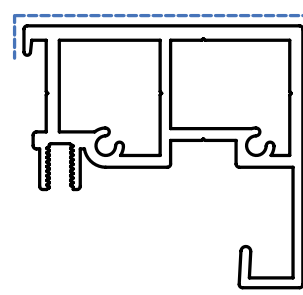
**Walek nawijający**

(6-011084)

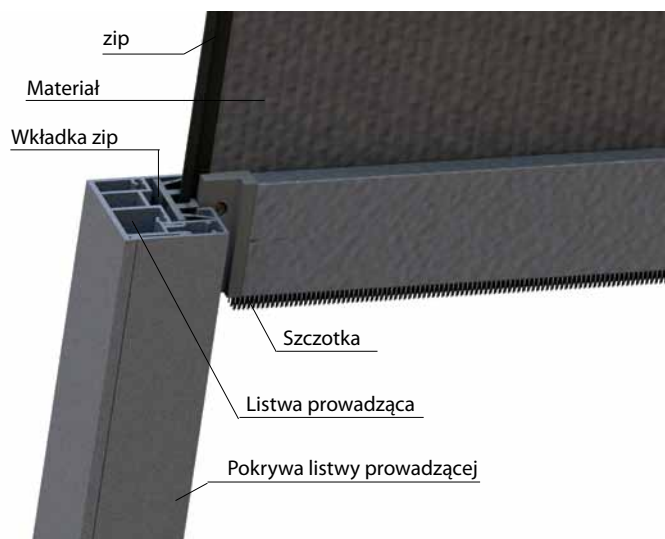


**Listwa prowadząca GS 40**

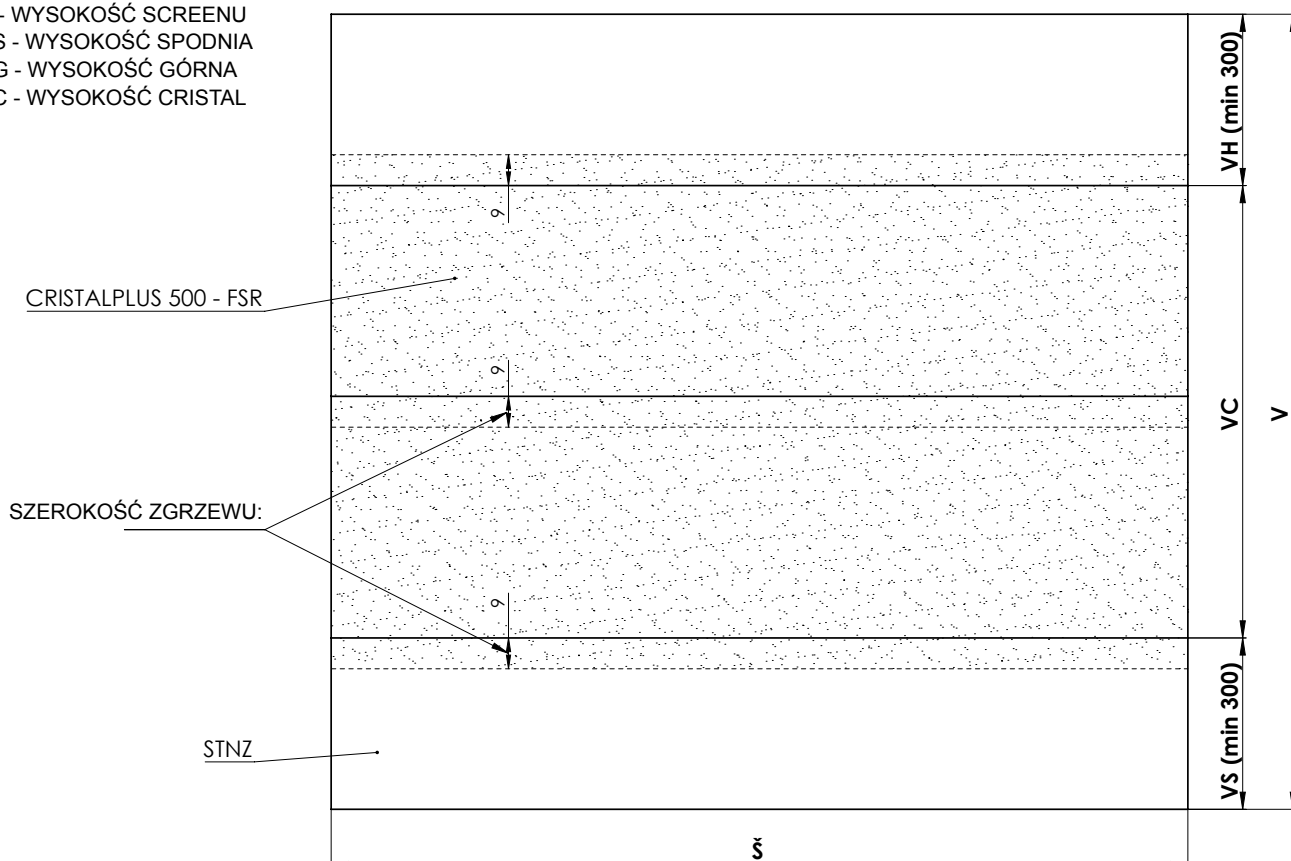
(7-303770-0000)



GS40 niewiercona prowadnica  
GS40c wiercony z przodu  
GS40b wiercony z boku

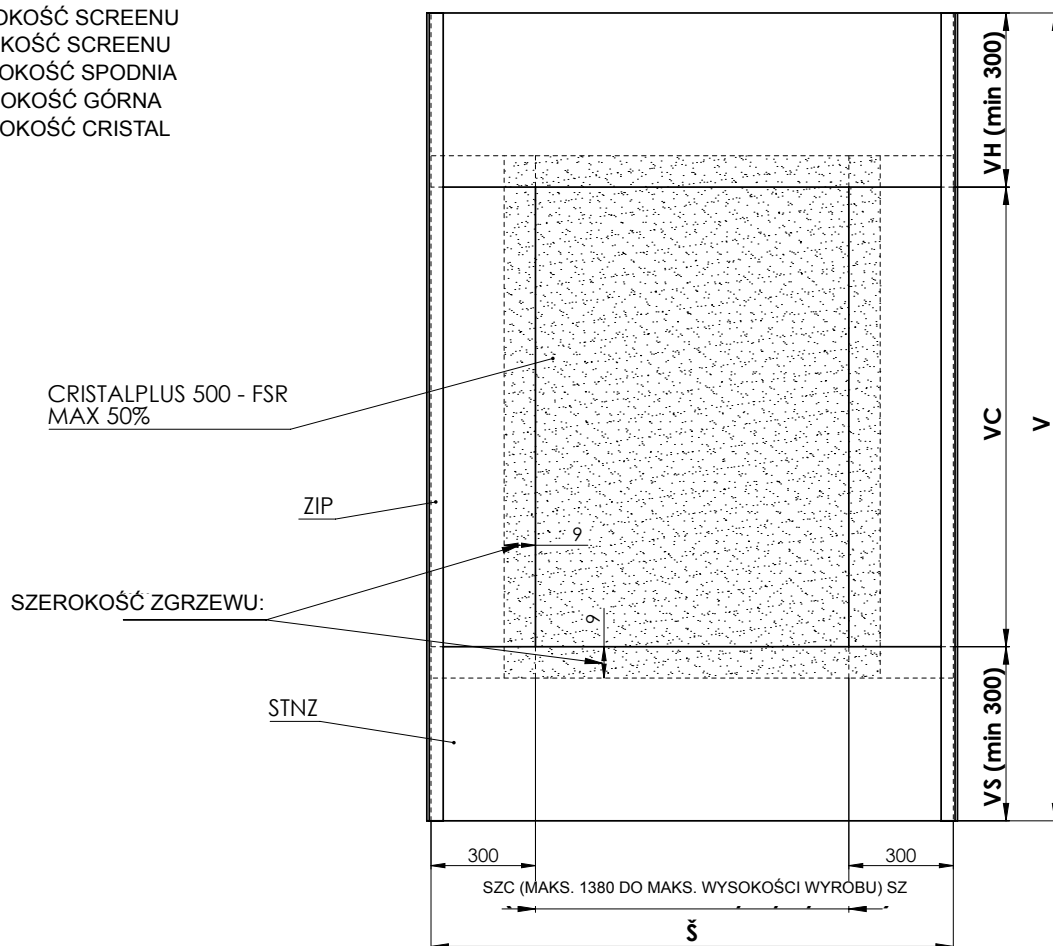
**System ZIP****Materiał Cristal jest lamowany pasem materiału STNZ:**

Š - SZEROKOŚĆ SCREENU  
 V - WYSOKOŚĆ SCREENU  
 VS - WYSOKOŚĆ SPODNIA  
 VG - WYSOKOŚĆ GÓRNA  
 VC - WYSOKOŚĆ CRISTAL



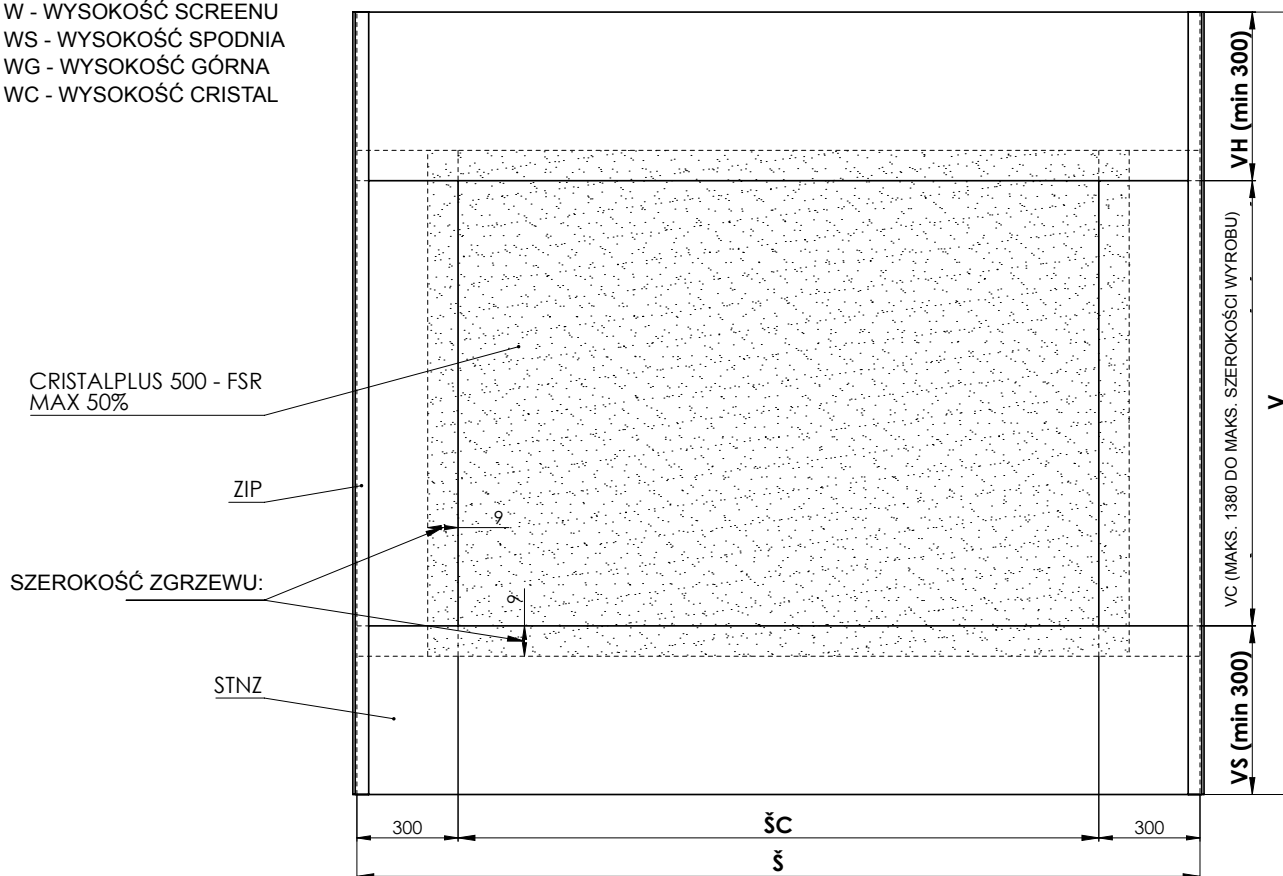
WYKONANIE MATERIAŁU CRISTAL DLA WYROBU GW I LITE

Š - SZEROKOŚĆ SCREENU  
 V - WYSOKOŚĆ SCREENU  
 VS - WYSOKOŚĆ SPODNIA  
 VG - WYSOKOŚĆ GÓRNA  
 VC - WYSOKOŚĆ CRISTAL



WYKONANIE MATERIAŁU PIONOWEGO CRISTAL DLA WYROBU SCREEN ZIP I SCREEN ZIP ECONOMY

SZ - SZEROKOŚĆ SCREENU  
 W - WYSOKOŚĆ SCREENU  
 WS - WYSOKOŚĆ SPODNIA  
 WG - WYSOKOŚĆ GÓRNA  
 WC - WYSOKOŚĆ CRISTAL



WYKONANIE MATERIAŁU POZIOMEGO CRISTAL DLA WYROBU SCREEN ZIP I SCREEN ZIP ECONOMY



## SCREEN ZIP

### Instrukcja wymierzenia

#### Instrukcja wymierzenia

Rolety ekranowe SCREEN ZIP można umieścić zarówno do otworu, jak też przed otwór, z montażem na strop lub na ścianę. Szerokość i wysokość rolety mierzymy w następujący sposób:

#### Š ..... (szerokość)

a) umocowanie do otworu

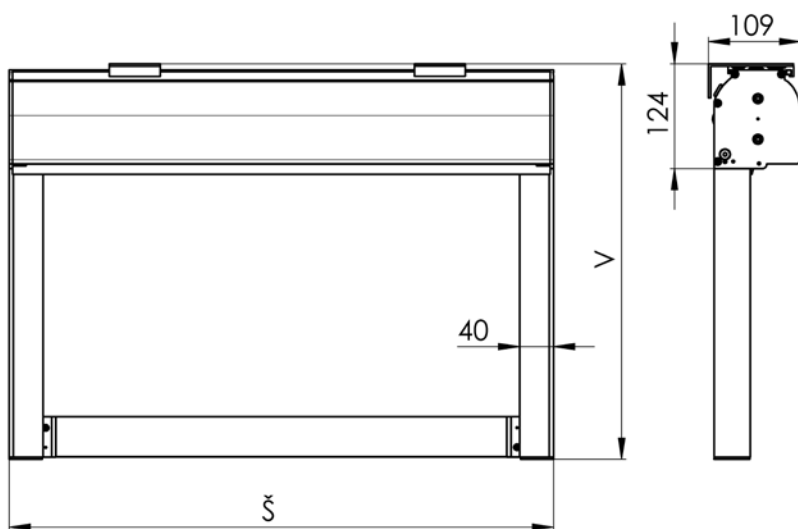
Mierzy się rzeczywistą szerokość otworu w trzech punktach, do formularza zamówieniowego podaje się najmniejszą rzeczywistą zmierzoną wartość.

b) umocowanie na otwór

Do formularza zamówieniowego podaje się zazwyczaj szerokość otworu, który roleta ma zaciemnić + 2 x 40 mm. Wymiary poza podanymi limitami trzeba konsultować z producentem.

#### V ..... (wysokość)

Mierzy się całkowitą wysokość wraz z profilem górnym i uchwytem rolety.



Wymiary poza podanymi limitami trzeba również konsultować z producentem.

## SCREEN ZIP

### Montaż

#### Montaż

Montaż rolet może przeprowadzać wyłącznie wykwalifikowany personel zdolny do należytego dotrzymania podanych poniżej wskazówek z pełnym uwzględnieniem bezpieczeństwa własnego i innych osób.

Główne czynności:

- 1) przygotowanie ścian, stropów okien lub innej konstrukcji do montażu rolet z użyciem przenośnych wiertarek i śrubokrętów;
- 2) montaż rolety na ścianę lub strop;
- 3) podłączenie do doprowadzenia zasilania elektrycznego;
- 4) ustawienie (ograniczników końcowych / łączników krańcowych silnika, itp.) i testowanie rolety.

#### Przygotowanie montażu rolety

Przed montażem rolety skontrolować, czy powierzchnia miejsca montażowego nadaje się do montażu. Wybrać odpowiednie wkręty mocujące (typ i wymiary) odpowiadające typowi konstrukcji, na której będzie montowana roleta (drewno, beton, cegła, itp.).

Uwaga: Nieprawidłowa instalacja może być przyczyną wypadku. Dotrzymywać zaleceń dotyczących prawidłowego montażu rolety, aby zapobiec ryzyku odpadnięcia rolety od ściany lub okna. Spółka ISOTRA a.s. nie odpowiada za wady spowodowane nieprawidłowym montażem.

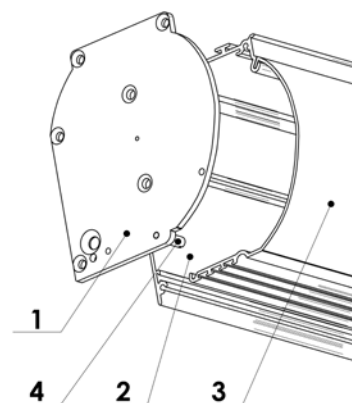
#### Montaż rolety

Roletę można montować dwoma sposobami:

1. bezpośredni montaż na listwy prowadzące z montażem na strop lub ścianę
2. montaż na strop lub montaż czołowy z pomocą specjalnych konsoli mocujących;

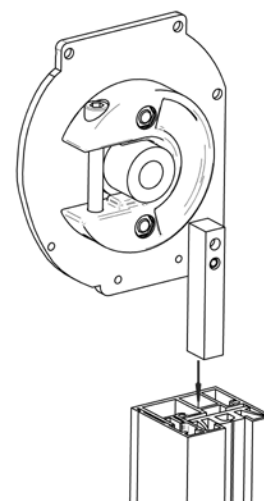
#### Montaż górnej kasety

Górna kasetka składa się z trzech części: ściany bocznej (1), część stała (2) i część zdejmowana (3). W razie potrzeby wyjęcia wałka nawijającego dostęp do wnętrza górnej kasetki jest możliwy po usunięciu dwóch śrub (4) (jednej na każdej stronie) i zdjęciu zdejmowanej części kasetki.



#### Bezpośredni montaż na listwę prowadzącą

Wsunąć prostokątny mosiężny czop wystając od spodu ściany bocznej do listwy prowadzącej według rysunku. Nie są potrzebne żadne śruby.



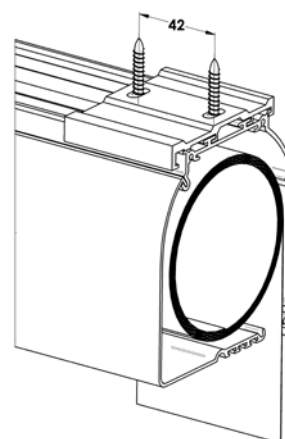
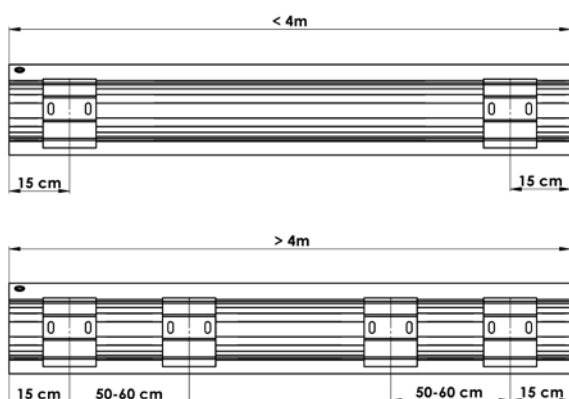
## SCREEN ZIP

### Montaż na strop

#### Montaż na strop

Zaznaczyć pozycje otworów, które mają być wiercone i uwzględnić następujące czynniki:

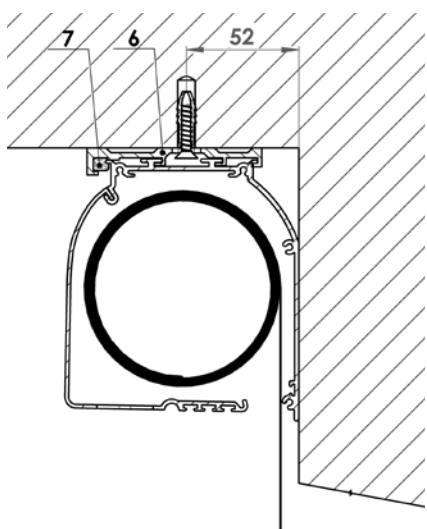
- w przypadku górnych kaset o szerokości do 4,0 m wystarczą dwie konsole, które trzeba zamontować w odległości w przybliżeniu 15–20 cm od każdego końca;
- w przypadku szerszych rolet są potrzebne cztery konsole, zawsze jedna 15–20 cm od każdego końca i druga 50–60 cm od pierwszej;



- o ile to jest możliwe, odległość od ściany zależy od sposobu, w jaki jest zamontowana konsola i pozycji klinów:
  - klin z przodu: **52 mm**
  - klin z tyłu: **100 mm**

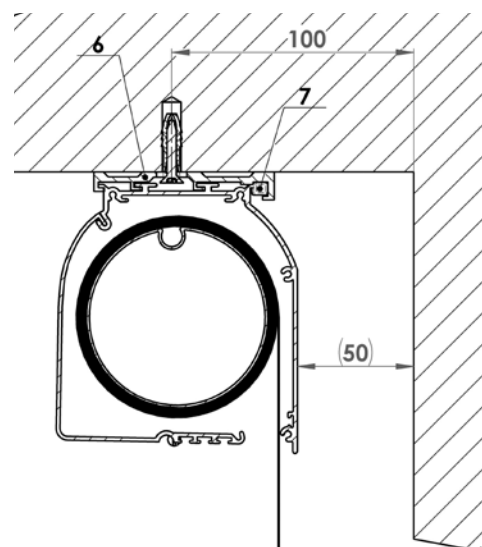
Trzeba pamiętać o następującym:

- montaż konsoli z klinami skierowanymi do pomieszczenia minimalizuje odległość między górną kasetą a tylną ścianą, ale konsola zostaje widoczna i nie wygląda estetycznie;



- montaż konsoli z klinami z tyłu jest bardziej estetyczna, ale wymaga miejsca minimalnie 5 cm między tylną ścianą i górną kasetą.

Zamontować konsole (6) z pomocą wkrętów i części odpowiadających typowi konstrukcji, na którą są montowane (konstrukcja metalowa, rama okna, ściana lub inny materiał). W przypadkach, kiedy są użyte trzy lub więcej konsoli, zapewnić, aby konsole były doskonale wyrównane  $\pm 1$  mm; można to skontrolować posuwając kasetę wzdłuż wycięć przed dokręceniem śrub mocujących.



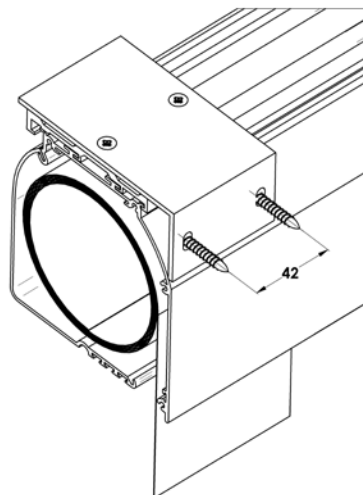
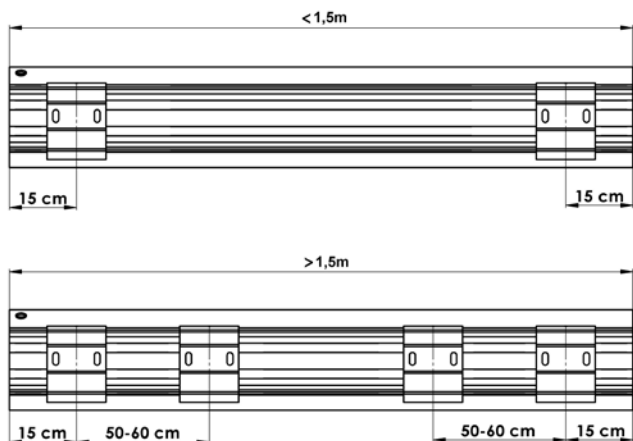
Założyć górną kasetę na konsole i posuwać ją wzdłuż, dopóki nie będzie wycentryowana w ramach skrzydła okna i wcisnąć kliny (7) dla zabezpieczenia kasety na miejscu.

## SCREEN ZIP

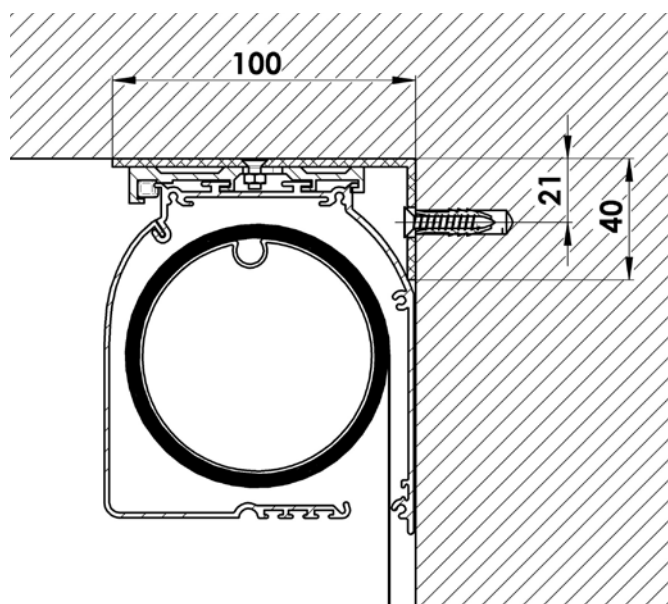
### Montaż na ścianę

#### Montaż na ścianę

Zaznaczyć pozycje konsoli „L” i otworów, które mają być wiercone. W przypadku górnych kaset o szerokości do **1,5 m** wystarczą dwie konsole, które trzeba zamontować w odległości w przybliżeniu 15 -20 cm od każdego końca. W przypadku szerszych rolet są potrzebne cztery konsole, zawsze jedna 15–20 cm od każdego końca i druga 50–60 cm od pierwszej.



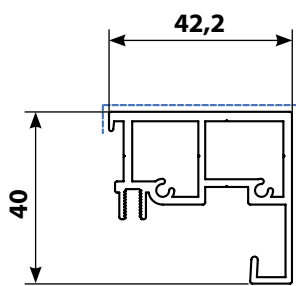
Otworki montażowe muszą być umieszczone minimalnie 21 mm od stropu lub jakiegokolwiek przeszkody sięgającej przez kasetę. Zamontować konsole z pomocą wkrętów i części odpowiadających typowi konstrukcji, na którą są montowane (konstrukcja metalowa, rama okna, ściana lub inny materiał). W przypadkach, kiedy są użyte cztery konsole, zapewnić, aby konsole były doskonale wyrównane  $\pm 1$  mm; można to skontrolować posuwając kasetę wzdłuż wycięć przed dokręceniem śrub mocujących. Zamontować kasetę na konsole i posuwać ją wzdłuż nich, dopóki nie będzie wycentryowana w ramach skrzydła okna.



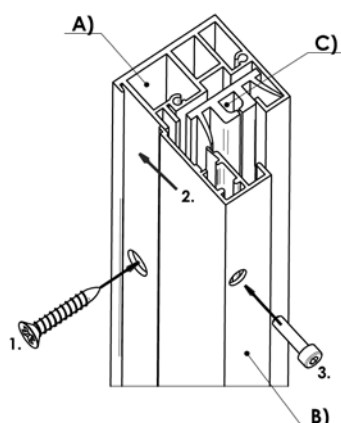
## SCREEN ZIP

### Montaż listew prowadzących

#### Montaż listew prowadzących



Prawidłowy sposób montażu listew prowadzących zależy od użytego modelu kasety i od tego, czy kasetka jest montowana na strop, ścianę, czy też jest mocowana bezpośrednio na listwy prowadzące. W ofercie jest tylko jeden model listew prowadzących GS40.

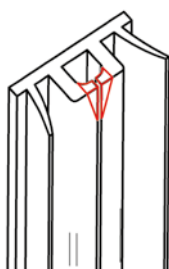


Listwy prowadzące ZIP tworzą trzy części: dwie aluminiowe szyny i plastikowa wewnętrzna szyna, w której porusza się ZIP.

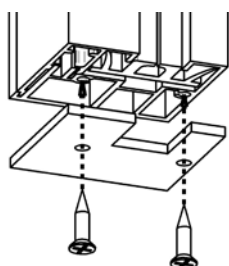
A - aluminiowa listwa prowadząca

B - aluminiowa pokrywa szyny, C - plastikowa szyna prowadząca.

1. Najpierw umocuje się aluminiową listwę prowadzącą A) na ścianie
2. Do niej włoży się plastikową szynę prowadzącą C) i zamknie profil aluminiową pokrywą B)
3. Pokrywę przykręci się z pomocą załączonych śrub imbus do listwy prowadzącej

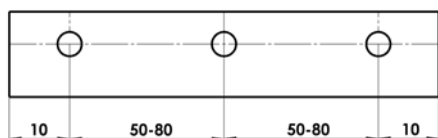


Listwę prowadzącą przyciąć tak, aby koniec był doskonale prostopadły. Po przycięciu wewnętrznej plastikowej listwy oba górne końce powinny być ukośne według rysunku, co zapobiega przecieraniu materiału o ostrą krawędź podczas używania.

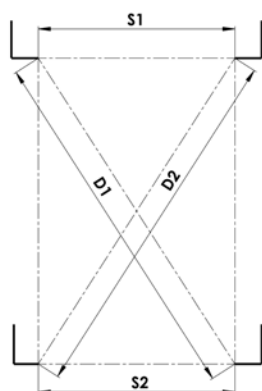
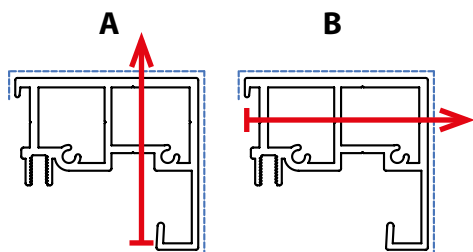


Jeżeli listwy prowadzące nie stoją końcami na parapecie okna lub na podłodze, trzeba użyć końcówek. Przed następnym krokiem montażu umocować końcówki z pomocą dostarczonych śrub.

## Montaż listwy prowadzącej GS40



S1



U modelu ZIP je v nabídce pouze jeden model vodičích lišt a to typ GS40. Lišta se dodává s otvory předvrtanými z výroby, dle objednávky, z čela nebo z boku.

Rozmieszczenie otworów jest zawsze:

- skrajne otwory są umieszczone ok. 10cm od końca listwy
- pozostałe otwory są rozmieszczone co 50–80cm równomiernie na całej długości listwy prowadzącej

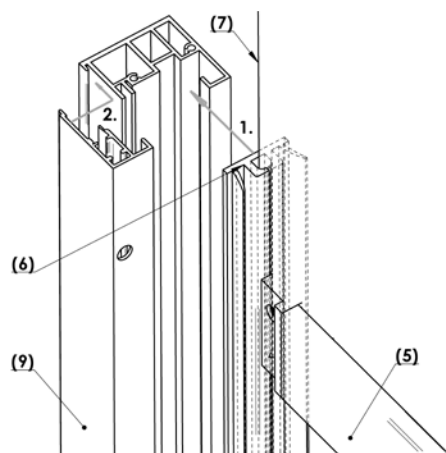
Wyznaczona czerwona linia oznacza oś pionową na śruby montażowe. Należy użyć nawierconych listew prowadzących jako szablonu do przeniesienia pozycji otworów na ścianę skrzydła okna. Przykręcić listwy prowadzące do ściany z pomocą wkrętów i części odpowiadających typowi konstrukcji, do której są montowane (konstrukcja metalowa, beton, mur, itp.).

A - wersja standardowa

B - montaż B podać formą uwagi do FZ

Po dokończeniu montażu skontrolować, czy listwy prowadzące są równoległe i prostopadłe. To można przeprowadzić mierząc dwie odległości „S1” i „S2” lub przekątne „D1” i „D2”. Wymiary muszą być jednakowe  $\pm 2\text{mm}$ . Prawidłowe umieszczenie listew prowadzących jest niezbędne, w przeciwnym wypadku może być naruszone funkcjonowanie rolety. W przypadku montażu czołowego listwy prowadzącej są dostarczane samoprzylepne nalepki do zakrycia otworów śrub mocujących.

## Montaż części plastikowych



Ostrożnie manipulować z roletą i ściągnąć materiał w dół o 20 cm.

Posunąć dolny profil (5) na bok tak, aby materiał wysunął się z jednej strony z bocznego rowka. Następnie nasunąć szynę wewnętrzną (6) na materiał i wcisnąć do niej zip (7).

1. Wcisnąć przednią szynę wewnętrzną do bocznego rowka listwy prowadzącej, która sama się wyrówna. Szyna wewnętrzna leży na ziemi lub na końcówce i nie trzeba jej nijak mocować.
2. Nasadzić pokrywę listwy prowadzącej (9) pod kątem, jej zadaniem jest umocowanie szyny prowadzącej (6) w listwie prowadzącej. Lekko naciskając zatrzaskując ją do prawidłowej pozycji i zabezpieczyć śrubami. Zacząć od góry i powoli postępować w dół po listwie prowadzącej.

## SCREEN ZIP

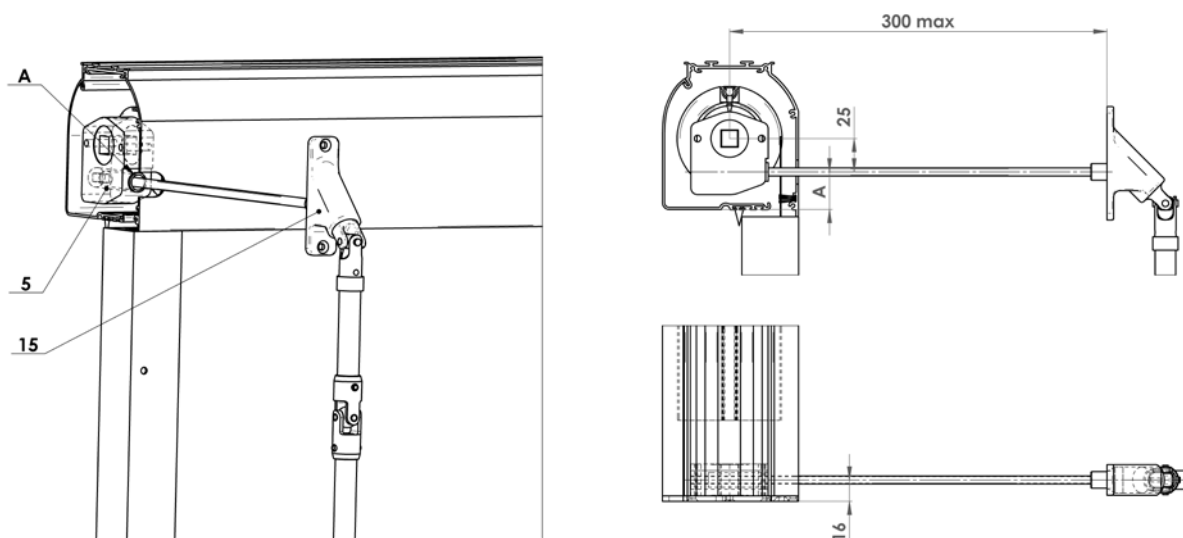
### Montaż korbki

#### Montaż korbki przez ścianę

Korbka – wariant z przepustem (Ks)

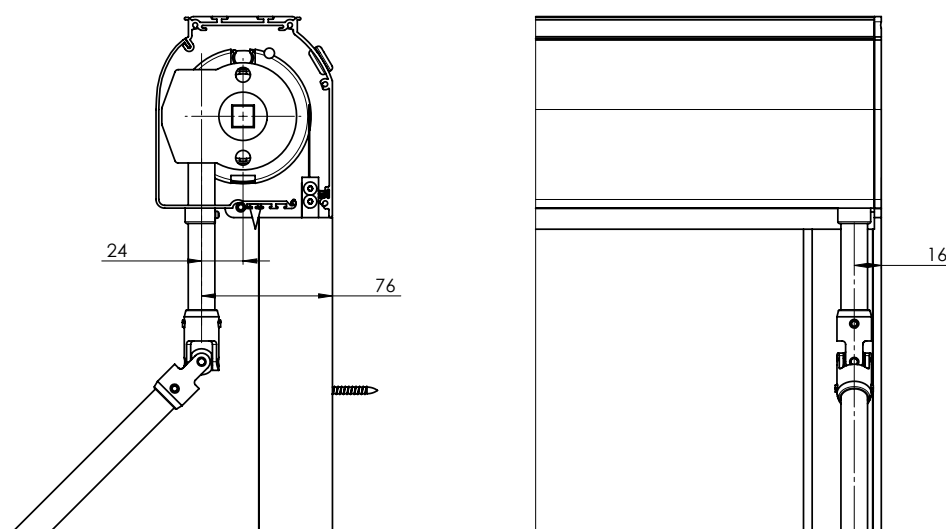
W przypadku rolety zewnętrznej montowanej z przepustem przez ścianę i prętem korbki wewnątrz należy najpierw starannie obliczyć pozycję otworu na pręt sześciokątny o długości 30 cm (15).

- Zamontować konsole na ścianę lub strop i zainstalować roletę na jej miejsce. Zaznaczyć ołówkiem pozycję dolnego rogu kasety na ścianie lub ramie okna. Wyjąć roletę z konsoli montażowych i zmierzyć odległość od dolnego rogu kasety do środka otworu (A) w tylnej części kasety (służącego do włożenia pręta sześciokątnego do obsługi przekaźnika). Zaznaczyć taką samą odległość na ścianie wyznaczając środek otworu, który ma być wiercony.
- Ostrożnie wywiercić przez ścianę otwór z pomocą wiertła o średnicy 8 mm. Jest ważne, aby otwór był w miarę jak najdokładniej poziomy.
- Zainstalować z powrotem roletę i od wewnątrz włożyć przez ścianę przepust, aby skontrolować prawidłową pozycję otworu. Następnie uciąć pręt sześciokątny piłką na prawidłową długość. Jego długość zależy od grubości ściany.



Korbka – wariant prosty (K)

Korbka połączona z roletą już w dostawie



## SCREEN ZIP ECONOMY



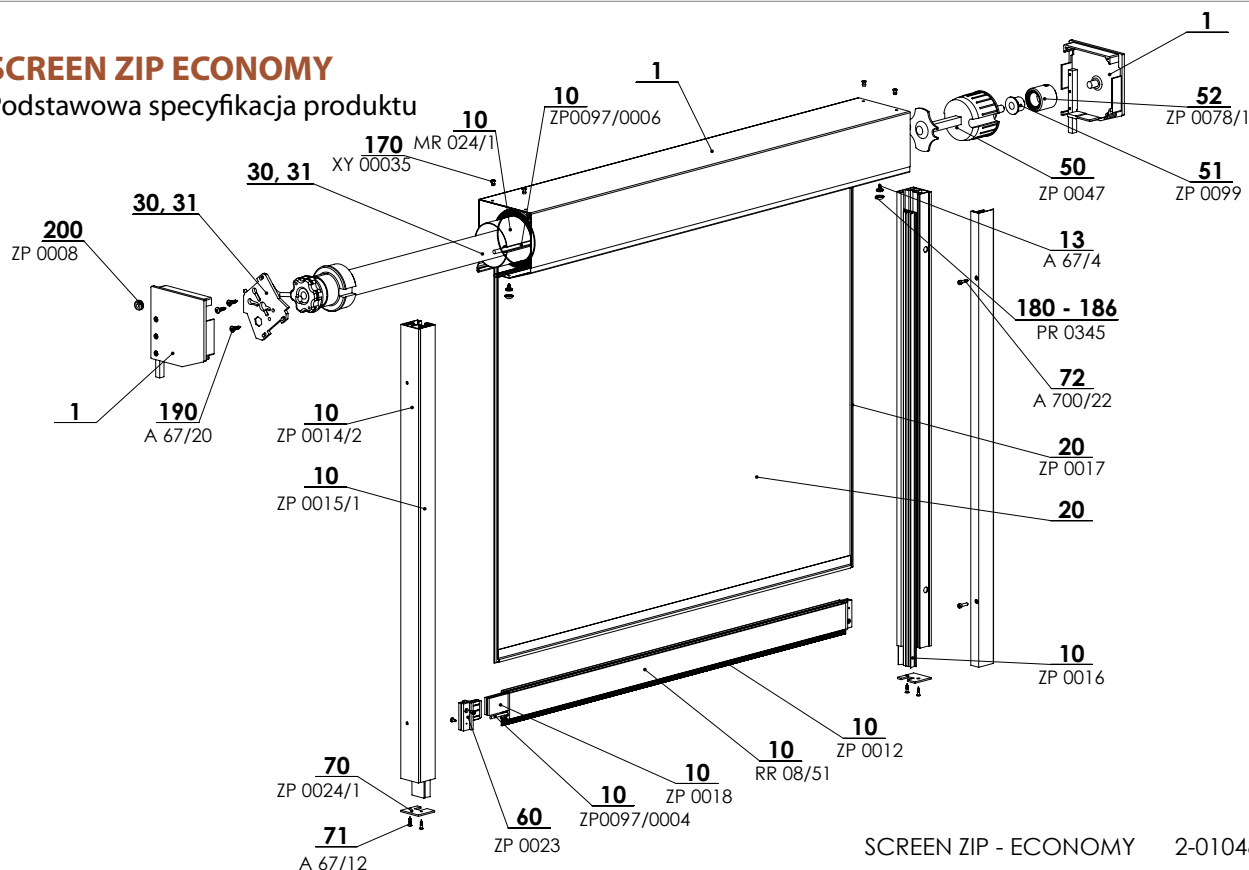
- ▲ Nowoczesny i designowy element wystroju wnętrza i zewnętrznego budynków,
- ▲ minimalne przenikanie światła dzięki absolutnemu napięciu materiału,
- ▲ Klasa odporności na wiatr 3,
- ▲ efekt termoregulacyjny,
- ▲ ochrona przed owadami w zamkniętej pozycji,
- ▲ dostępny cenowo wariant dla modelu SCREEN ZIP
- ▲ napęd elektryczny.

**ISOTRA** *Quality*



## SCREEN ZIP ECONOMY

Podstawowa specyfikacja produktu



SCREEN ZIP - ECONOMY 2-01048-XXXX-C

### Obsługa

Służy do spuszczenia i podnoszenia rolety ekranowej.

**Silnik** - możliwość sterowania z pomocą czujnika słońce / wiatr, ewentualnie pilotem zdalnego sterowania lub wyłącznikiem.

### Specyfikacja

	Profil górny		Profil dolny	Boczne prowadzenie listwa prowadząca	Montaż
	Kaseta	wałek nawijający			
<b>Nazwa handlowa</b>	PR0001	MR 024/1	FZ 47	GS40	na ścianę (przed otwór okienny)
<b>Wymiar (mm)</b>	128x129	Ø 78 mm	20x47,4	40x42,2	
<b>Materiał</b>	Al	Fe	Al	Al	
<b>Kolor</b>	Standardowy: RAL 9006 jasno srebrny RAL 9007 ciemno srebrny RAL 9010 biały		RAL 7016 antracytowo szary RAL 7016S antracytowo szara struktura RAL 8014 brązowy pozostałe kolory RAL na życzenie*		

\*oprócz części plastikowych.

Nietypowych wariantów nie produkujemy.

### Standardowe wymiary

Wersja	Szerokość (mm)		Wysokość (mm)		Gwarantowana powierzchnia (m <sup>2</sup> )
	min.	maks.	min.	maks.	maks.
Silnik	800	4000	500	3000	12

### Materiały typu Blackout:

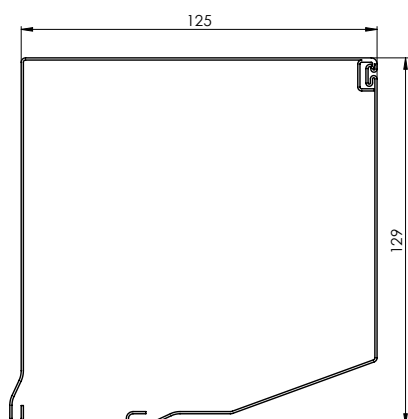
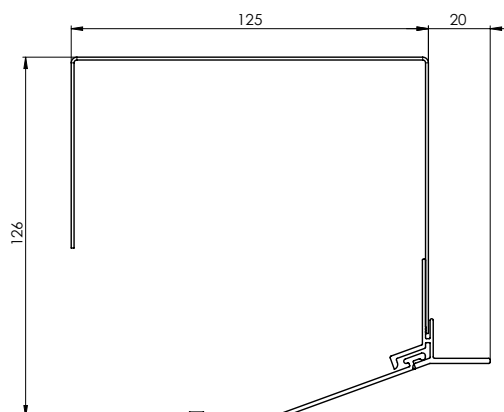
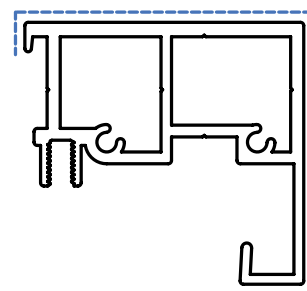
Nieprzepuszczalna warstwa przy każdym typie montażu jest umieszczona na stronie okna. W przypadku montażu na zewnątrz silny wiatr może spowodować nieznaczne podnoszenie dolnej listwy i materiału, dlatego nie zawsze można gwarantować 100 % zaciemnienia. W przypadku materiałów Blackout zipy są umocowane na stronie licowej, nie na warstwie przezroczystej, dlatego jest możliwe, że przy silnym wietrze lub patrząc z boku na listwę prowadzącą będzie widać kawałek materiału z taśmy zipu, ale ma to małe znaczenie w porównaniu z widokiem lub szczelnością materiału (ograniczenie fałdowania).

### Normalne zjawiska związane z tkaninami technicznymi

W okolicy zgrzewu lub pośrodku tkaniny może dojść do sfałdowania materiału, tzw. efektu choinkowego. To zjawisko jest normalne, ponieważ podczas używania na materiał działają różne siły. Następnym zjawiskiem mogą być widoczne odciski od walca na materiale. Znikną one przy wyższej temperaturze, kiedy materiał wyrówna się.

## Screen ZIP Economy (2-01048-0000)

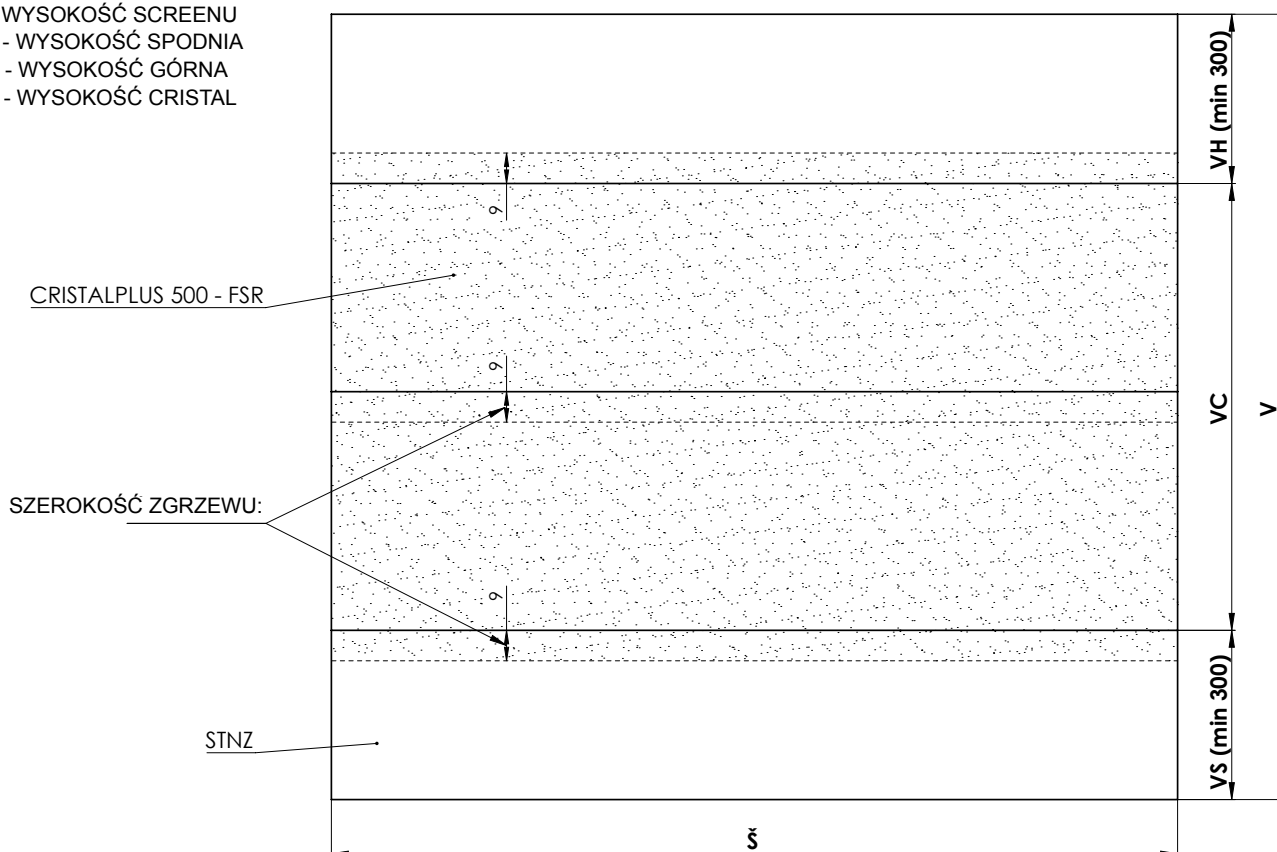
pozycja	nazwa pozycji	Nazwa handlowa	numer rysunku
1	Walcowana kasetka, GOT 125 - bezbarwna	PR0025	6-001699-0000
1	Walcowana kasetka, ścięcie 20°, GUTS 125 - bezbarwna	PR0001	6-001701-0000
1	Ściana boczna-odlew ciśnieniowy, ścięcie 20° BKS 125 -PÁR	PR0059/01	6-001755-0000
1	Listwa podtynkowa PS-V 20°	PR0077	6-001852-0000
1	Ekstrudowana kasetka, ścięcie 20°, RK 125, dolna	PR0049	6-001684-0000
1	Kasetka, górna część, 125 mm, 20°	PR0054	7-302262-0000
1	Czop	PR0647	3-02956-0000
1	Śruba	A700/26	6-003184-0000
10	Wałek nawijający markizy 78mm- 6m	MR 024/1	6-011084-0078
10	Pręt plastikowy 6,0mm PVC	ZP0097/0006	6-016911-0006
10	Listwa dolna Al - FZ 47	RR 08/51	7-302966-0000
10	Obciążnik stalowy 4x30 mm FeZn	ZP0018	6-008715-0000
10	Pręt plastikowy 4,0mm PVC	ZP0097/0004	6-016911-0004
10	Szczotka szer. 4.8 x wys.12mm	ZP0012	6-009148-0000
10	Wkładka ZIP do GS 40	ZP0016	6-008707-0001
10	Listwa prowadząca Al - GS 40	ZP0014/2	7-303770-0000
10	Listwa w zamkn. Al - GS 40	ZP0015/1	7-302972-0000
13	Wkręt 3,5x9,5, DIN 7504 M, Zn, z łbem półk. krzyż.	A 67/4	6-003096-0000
<b>20</b>	<b>Materiał SCREEN</b>		<b>patrz wzornik SCREEN</b>
20	ZIP	ZP0017	6-008709-0000
<b>30</b>	<b>Silniki (SOMFY, BECKER) SCREEN</b>		<b>patrz Obsługa</b>
50	Kołpak wałka śr. 78	ZP0047	6-009210-0078
51	Łożysko kulkowe do ZipTex 28x12	ZP0080	6-012325-0001
52	Adapter	ZP0078/1	2-01315-0000
60	Końcówka listwy dolnej FZ 47 KOMPLET	ZP0023	6-008949-0503
70	Końcówka LP - P/L	ZP0024/1	7-303027-0000
71	Wkręt3,5x16 DIN 7997	A 67/12	6-009093-0000
80	ŚrubaimbusM4x16, DIN 912, 8.8,	A 700/22	6-002280-0000
170	Nit zrywany Al 4x8 DIN 7337 A	XY 00035	6-011342-0000
180	Oslona śruby dwuczęściowa PVC	PR0345	6-002073-0001
190	Wkręt 5x20 Zn z łbem półkulistym krzyżowy	A 67/20	6-003060-0001
200	Przepust kablowy GUMOWY 11/7	ZP0008	6-009196-0000

**SCREEN ZIP ECONOMY****Podstawowa specyfikacja techniczna****Kaseta odkryta**  
(PR0025 + PR0001)**Kaseta podtynkowa**  
(PR0054 + PR0077 + PR0647)**Listwa prowadząca GS 40**  
(7-303770-0000)

GS40 niewiercona prowadnica  
 GS40c wiercony z przodu  
 GS40b wiercony z boku

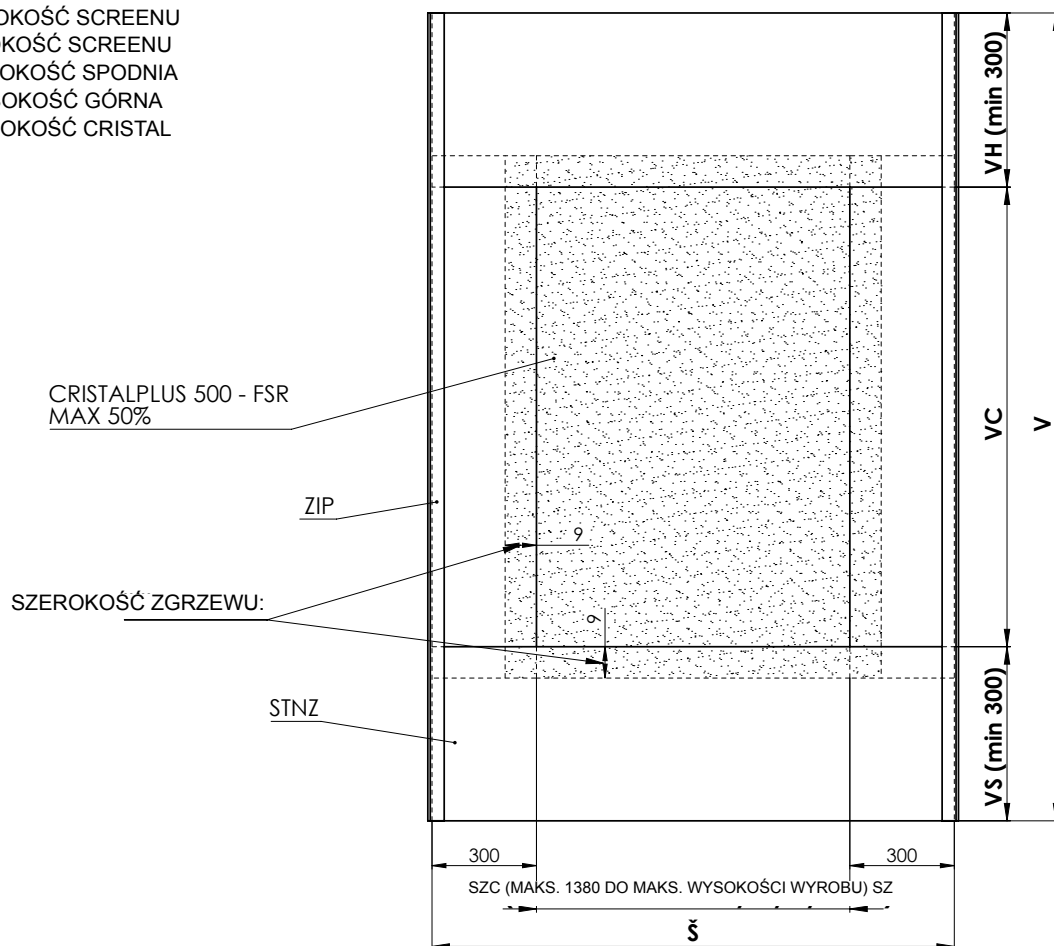
**Materiał Cristal jest lamowany pasem materiału STNZ:**

Š - SZEROKOŚĆ SCREENU  
 V - WYSOKOŚĆ SCREENU  
 VS - WYSOKOŚĆ SPODNIA  
 VG - WYSOKOŚĆ GÓRNA  
 VC - WYSOKOŚĆ CRISTAL



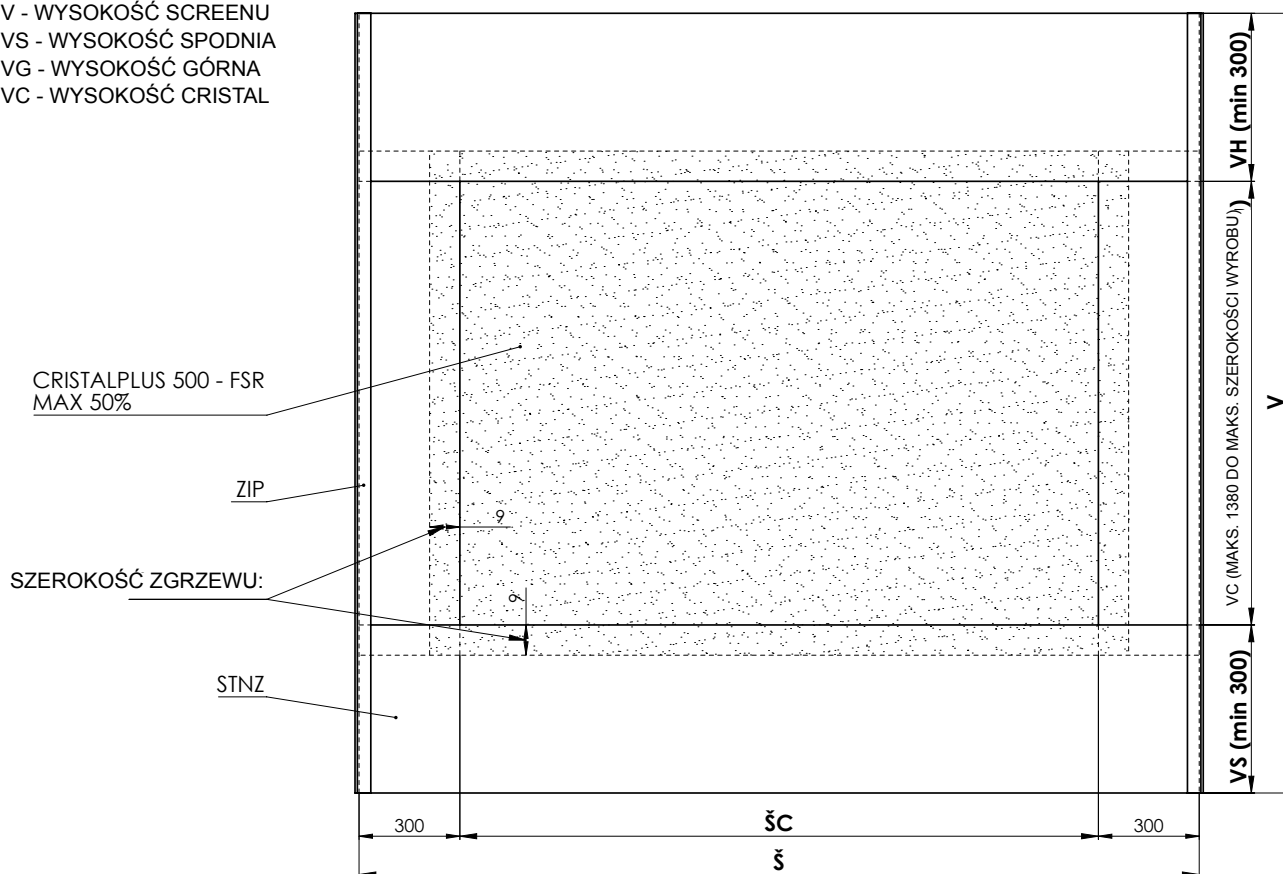
WYKONANIE MATERIAŁU CRISTAL DLA WYROBU GW I LITE

Š - SZEROKOŚĆ SCREENU  
 V - WYSOKOŚĆ SCREENU  
 VS - WYSOKOŚĆ SPODNIA  
 VG - WYSOKOŚĆ GÓRNA  
 VC - WYSOKOŚĆ CRISTAL



WYKONANIE MATERIAŁU PIONOWEGO CRISTAL DLA WYROBU SCREEN ZIP I SCREEN ZIP ECONOMY

Š - SZEROKOŚĆ SCREENU  
 V - WYSOKOŚĆ SCREENU  
 VS - WYSOKOŚĆ SPODNIA  
 VG - WYSOKOŚĆ GÓRNA  
 VC - WYSOKOŚĆ CRISTAL



WYKONANIE MATERIAŁU POZIOMEGO CRISTAL DLA WYROBU SCREEN ZIP I SCREEN ZIP ECONOMY

## SCREEN ZIP ECONOMY

### Instrukcja wymierzenia

#### 1. Wymierzenie

Rolety ekranowe SCREEN ZIP ECO można umieścić zarówno do otworu, jak też przed otwór, z montażem lub na ścianę. Szerokość i wysokość rolety mierzymy w następujący sposób:

sz ..... (szerokość)

a) umocowanie do otworu

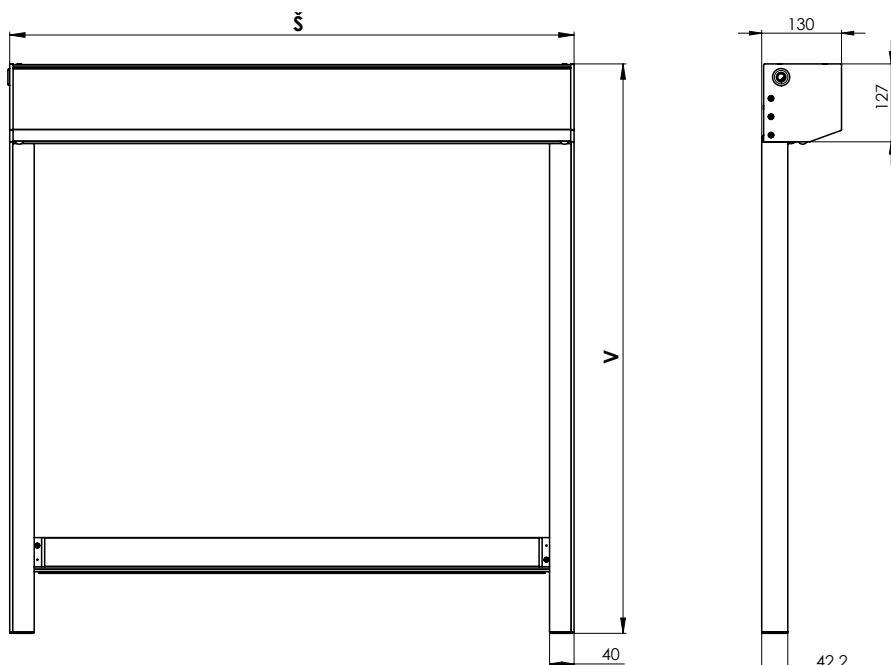
Mierzy się rzeczywistą szerokość otworu w trzech punktach, do formularza zamówieniowego podaje się najmniejszą rzeczywistą zmierzoną wartość.

b) umocowanie na otwór

Do formularza zamówieniowego podaje się zazwyczaj szerokość otworu, który roleta ma zaciemnić + 2 x 40 mm. Wymiary poza podanymi limitami trzeba konsultować z producentem.

w ..... (wysokość)

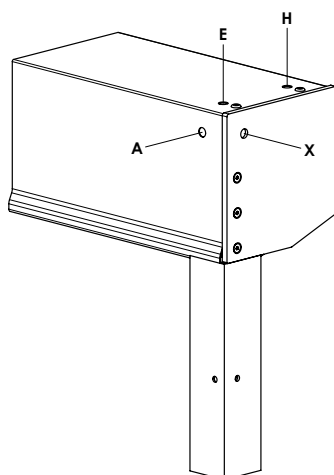
Mierzy się całkowitą wysokość wraz z profilem górnym i uchwytem rolety.



Wymiary poza podanymi limitami trzeba również konsultować z producentem.

#### Możliwość wyboru umieszczenia kabla

Na lewo, wyprowadzenie A  
 Na lewo, wyprowadzenie E  
 Na lewo, wyprowadzenie H  
 Na lewo, wyprowadzenie X (Std)



na prawo, wyprowadzenie A  
 na prawo, wyprowadzenie E  
 na prawo, wyprowadzenie H  
 na prawo, wyprowadzenie X(Std)

## SCREEN ZIP ECONOMY

### Montaż

Montaż rolet może przeprowadzać wyłącznie wykwalifikowany personel zdolny do należytego dotrzymania podanych poniżej wskazówek z pełnym uwzględnieniem bezpieczeństwa własnego i innych osób.

Główne czynności:

- 1) przygotowanie ścian, stropów okien lub innej konstrukcji do montażu rolet z użyciem przenośnych wiertarek i śrubokrętów;
- 2) montaż rolety na ścianę;
- 3) podłączenie do doprowadzenia zasilania elektrycznego;
- 4) ustawienie (ograniczników końcowych / łączników krańcowych silnika, itp.) i testowanie rolety.

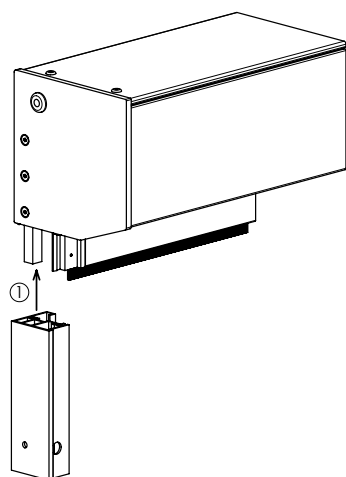
### MONTAŻ ROLETY

Bezpośredni montaż listew prowadzących na ścianę.

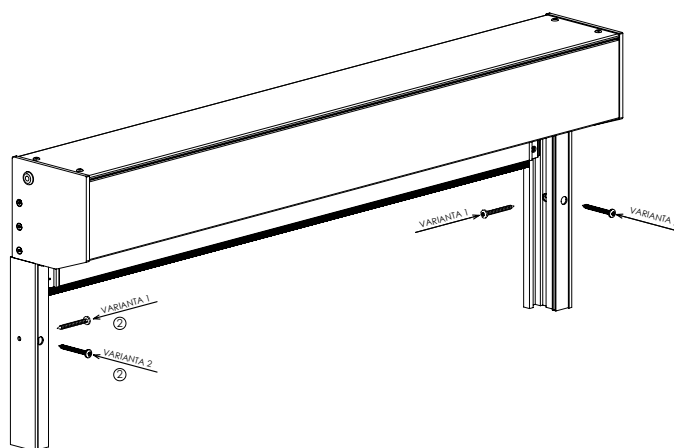
### MONTAŻ KASETY I LISTWY PROWADZĄCEJ

Nasunąć listwę prowadzącą na trzpień ściany bocznej. Nie są potrzebne żadne śruby. Podczas nasadzania nawlec do rowka prowadzącego zip.

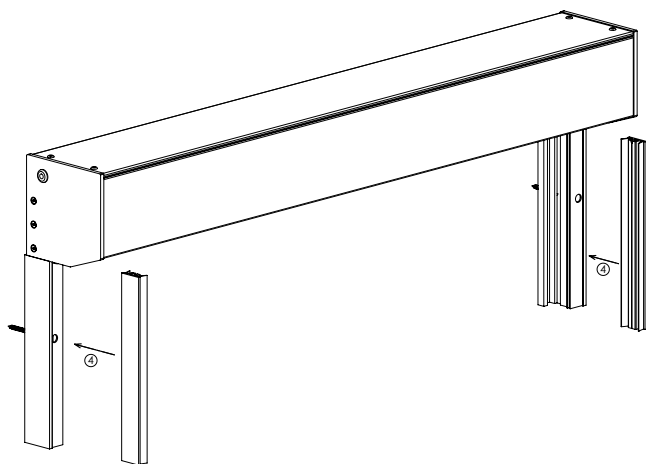
Połączyć listwy prowadzące z kasetą



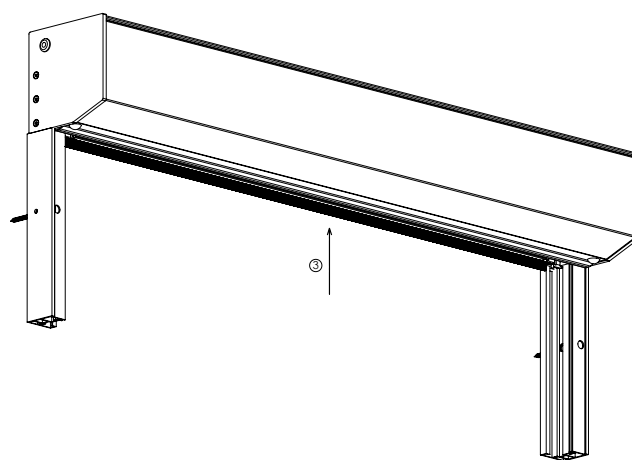
Umieścić roletę na miejsce i przykręcić



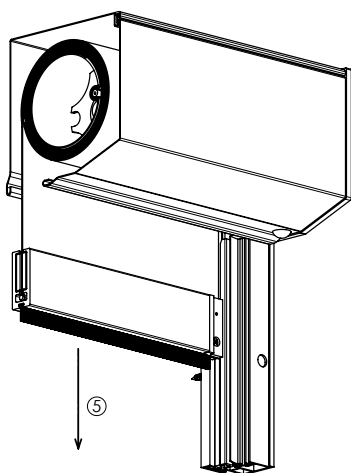
Nawinąć materiał jak najwyżej



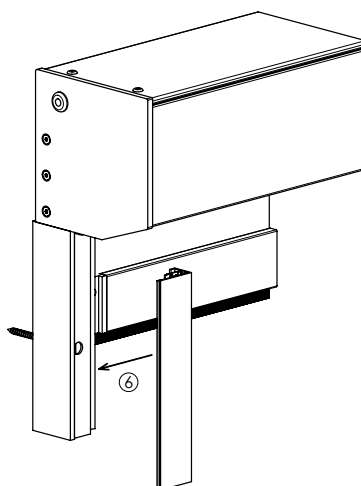
Założyć plastikowe szyny prowadzące



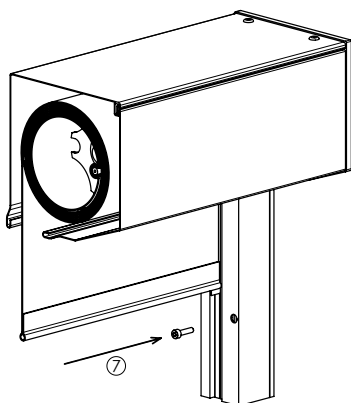
Naprowadzić materiał do szyn



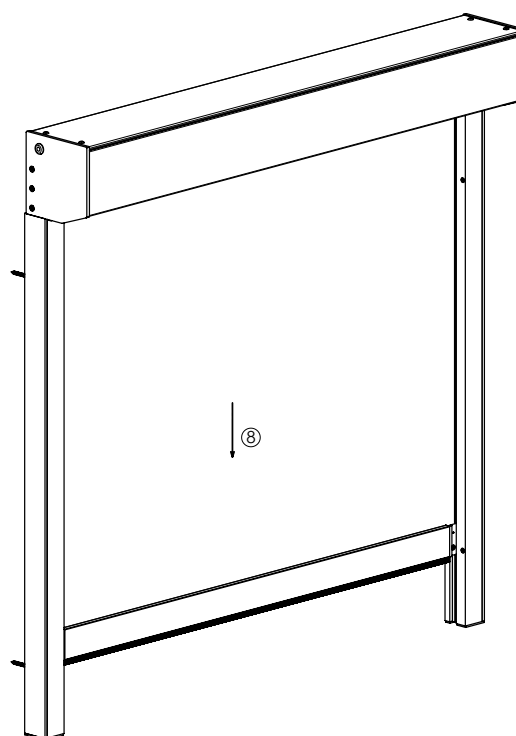
Założyć pokrywę listwy prowadzącej



Zabezpieczyć listwę kryjącą śrubą



Skontrolować działanie





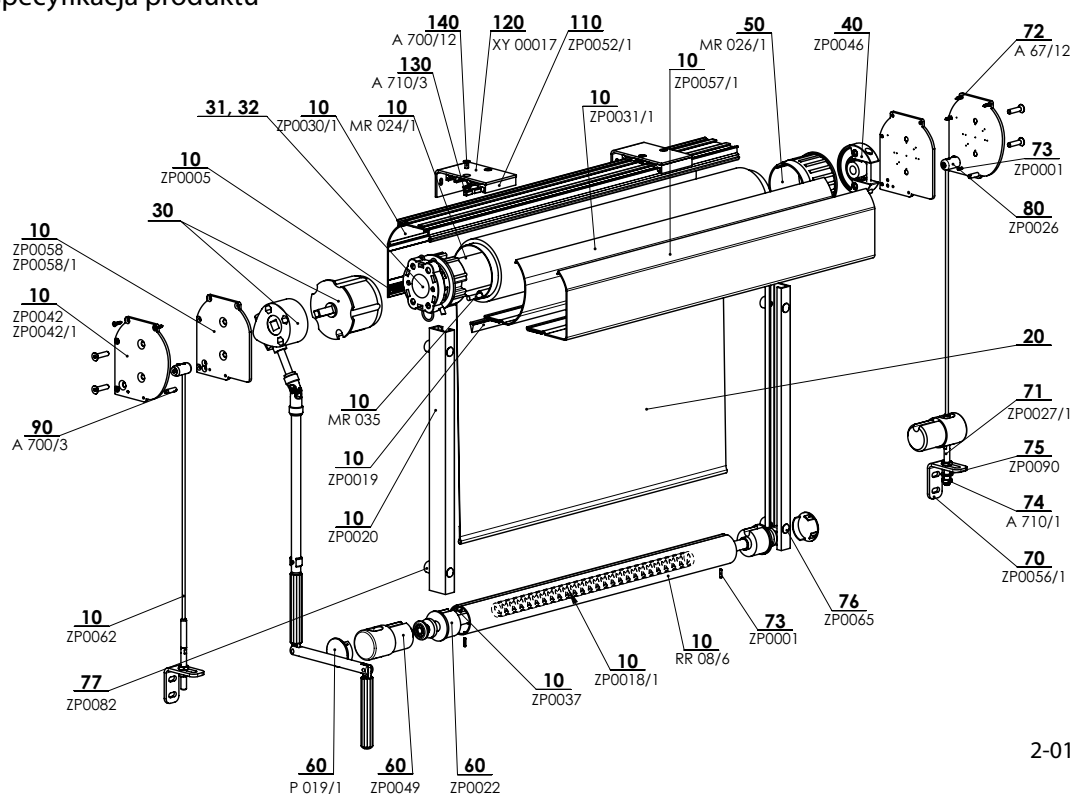
- ▲ Prosty, nowoczesny i stylowy wygląd,
- ▲ zaciemnienie powierzchni wewnętrznych i zewnętrznych,
- ▲ boczne prowadzenie linką lub listwą,
- ▲ możliwość napędu elektrycznego,
- ▲ kolory konstrukcji według wzornika RAL,
- ▲ Klasa odporności na wiatr 3.

**ISOTRA** *Quality*



## SCREEN GW

### Podstawowa specyfikacja produktu



2-01396-0000-A

### Obsługa

Służy do spuszczenia i podnoszenia rolety ekranowej.

**Korbka** - przeciągnięcie prętowego mechanizmu do obsługi do wnętrza przeprowadza się pod kątem między 45° i 90° z pomocą przepustu i pręta sześciokątnego. (Kolor: biały / anodowany)

**Silnik** - możliwość sterowania z pomocą czujnika słońce / wiatr, ewentualnie pilotem zdalnego sterowania lub wyłącznikiem.

### Specyfikacja

	Profil górny			Dolny profil	Boczne prowadzenie		Montaż
	trubka	Kaseta	Kaseta		listwa prowadząca	linka	
<b>Nazwa handlowa</b>	MR 024/1	CT 105	C 105	FD 42	GC 20	ZP0062	do stropu (do otworu okiennego) na ścianę (przed otwór okienny)
<b>Wymiar (mm)</b>	Ø 78 mm	104,5x116,5	103x116,5	Ø 42 mm	33x19 mm	Ø 4 mm	
<b>Materiał</b>	Fe	Al	Al	Al	Al	Fe	
<b>Kolor</b>	szary	Standardowy: RAL 9006 jasno srebrny RAL 9007 ciemno srebrny RAL 9010 biały		RAL 7016 antracytowo szary RAL 7016S antracytowo szara struktura RAL 8014 brązowy pozostałe kolory RAL na życzenie*		szary	

\*oprócz części plastikowych, maksymalna szerokość 4000 mm

Nietypowych wariantów nie produkujemy.

### Standardowe wymiary

Wersja	Szerokość (mm)		Wysokość (mm)		Gwarantowana powierzchnia (m <sup>2</sup> )
	min.	maks.	min.	maks.	maks.
Korbka	500	4000	500	3800	15,2
Silnik	800	4500	500	3800	18

### Normalne zjawiska związane z tkaninami technicznymi

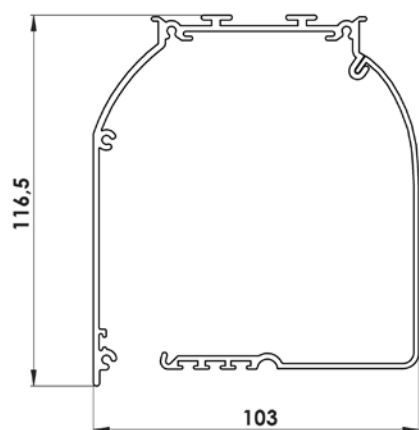
W okolicy zgrzewu lub pośrodku tkaniny może dojść do sfałdowania materiału, tzw. efektu choinkowego. To zjawisko jest normalne, ponieważ podczas używania na materiał działają różne siły. Następnym zjawiskiem mogą być widoczne odciski od walca na materiale. Znikną one przy wyższej temperaturze, kiedy materiał wyrówna się.

## Screen GW (2-00849-0020)

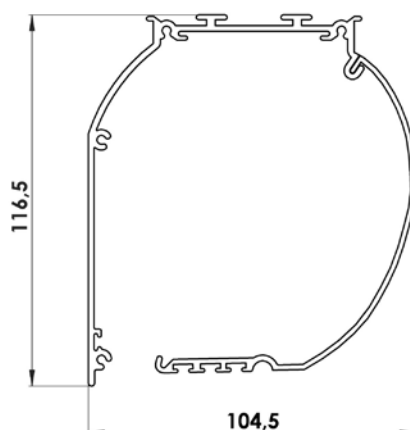
pozycja	nazwa pozycji	Nazwa handlowa	numer rysunku
10	Listwa dolna Al - FD 42 surowy	RR 08/6	6-009147-0000
10	Obciążnik screen okrągły (cynk ogniowy)	ZP0018/1	3 02880-PU27
10	Szczotka szer. 4.8 x wys. 7 mm czarny	ZP0005	6-009219-0000
10	Pręt plastikowy 3,8 mm	ZP0037	6-009163-0000
10	Pokrywa Al. - CT105 górna, stała, surowa	ZP0030/1	7-302968-0000
10	Pokrywa Al. - CT105 dolna, rewizyjna, okrągła, surowa	ZP0031/1	7-302969-0000
10	Pokrywa Al. - CT105 dolna, rewizyjna, prostokątna, surowa	ZP0057/1	7-302971-0000
10	Wieko boczne anod., CZ105 okrągłe, surowe - para	ZP0042	6-009194-0002
10	Wieko cozne okrągłe - para	ZP0042/1	2-01007-0000
10	Wieko boczne anod., CZ105 prostokątne, surowe - para	ZP0058	6-011456-0000
10	Wieko boczne prostokątne - para	ZP0058/1	2-01008-0000
10	Uszczelka PVC 5,5 x 12 mm	ZP0019	6-008716-0000
10	Walek nawijający markizy śr. 78 mm - 6 m	MR 024/1	6-011084-0078
10	Pręt plastikowy 6,0mm PVC	ZP0097/0006	6-016911-0006
10	Linka stalowa 4mm	ZP0062	6-011492-0000
10	Listwa prowadząca GC20 surowa	ZP0020	6-008727-0000
<b>20</b>	<b>Materiał screen</b>		<b>patrz wzornik SCREEN</b>
<b>30</b>	<b>Silniki (SOMFY, BECKER) screen</b>		<b>patrz Obsługa</b>
<b>31,32</b>	<b>Silniki (SOMFY, BECKER) screen &lt; 800 + wzory</b>		<b>patrz Obsługa</b>
40	Uchwyt Al z tuleją komplet do silnika	ZP0046	6-009209-0000
50	Kołpak wałka śr. 78mm z czopem	MR 026/1	6-011086-0078
60	Końcówka listwy dolnej FD 42 (VL) czarna	ZP0022	6-008736-0030
60	Końcówka screen czarna	ZP0049	3-02208-9004
60	Pokrywa listwy prowadzącej śr. 40	P 019/1	3-01849-9006
70	Kątownik linki napinającej - stal nierdzewna, nielakierowana	ZP0056/1	3-02431-0000
71	Śruba napinająca	ZP0027/1	3-02430-0000
72	Wkręt 3,5x16 DIN 7997	A 67/12	6-009093-0000
73	Kołek sprężynowy 3x12 DIN 7346	ZP0001	6-009807-0000
74	Nakrętka niska M8 nierdzewna DIN 439B A2	A 710/1	6-010705-0000
75	Podkładka M8, DIN 125-A1, A2	ZP0090	6-009997-0002
76	Osłona samoprzylepna 606-172-13 srebrna RAL9006	ZP0065	6-011520-0000
77	Podkładka montażowa - prof. prow. GC20	ZP0082	7-302422-0000
80	Napinacz linki - Z105 dla pokrywy górnej	ZP0026	6-009056-0000
90	Śruba zabezpieczająca pokrywy M4	A 700/3	7-303030-0000
110	Profil - uchwyt stały do Screen	ZP0052/1	3 03058-PU11
120	Kątownik Fe gięty 100/40	XY 00017	3 02233-PU22
130	Nakrętka M5 DIN 6923 z kołnierzem zębatym	A 710/3	6-011882-0000
140	Śruba M5x10 Zn DIN 965-H	A 700/12	6-003186-0000

## SCREEN GW

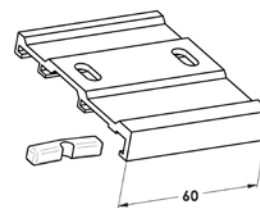
**Profil górny C 105**



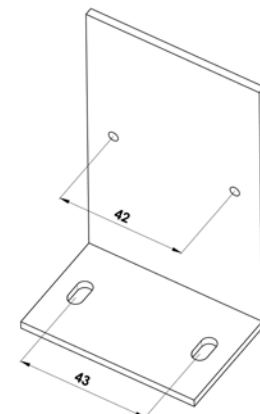
**Profil górny CT 105**



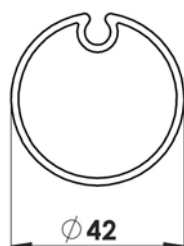
**Uchwyt profilu górnego**  
(6-009232)



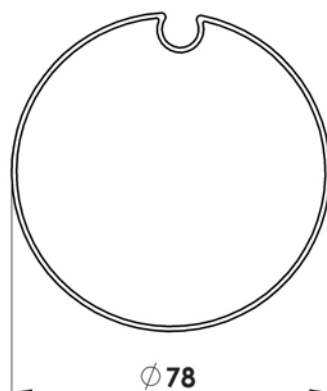
**Konsola L**  
(7-302233)



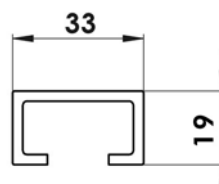
**Profil dolny FD 42**  
(RR 08/6, 6-009147)



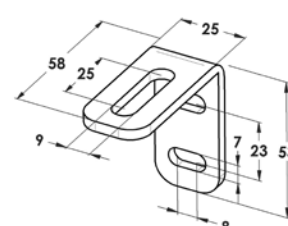
**Walek nawijający**  
(6-011084)



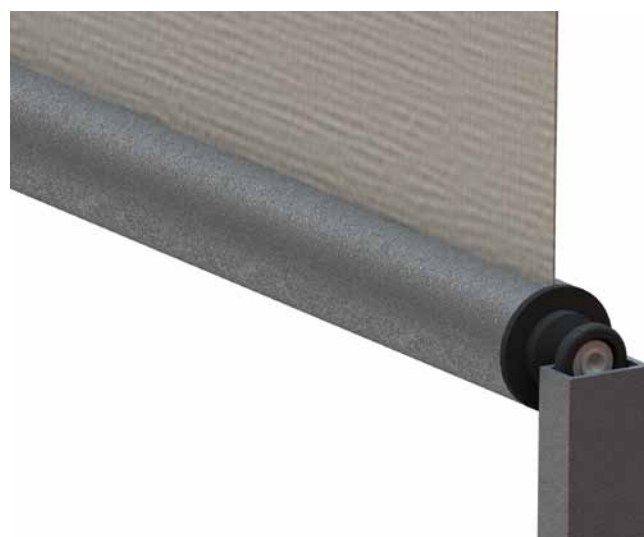
**Listwa prowadząca**  
**GC 20**  
(6-008727)



**Uchwyt linki stalowej**  
(302431)



### Warianty prowadzenia bocznego



**SCREEN GW**

## Instrukcja wymierzenia

**Instrukcja wymierzenia**

Rolety ekranowe SCREEN GW można umieścić zarówno do otworu, jak też przed otwór, z montażem na strop lub na ścianę. Szerokość i wysokość rolety ekranowej mierzymy w następujący sposób:

**sz ..... (szerokość)**

## a) umocowanie do otworu

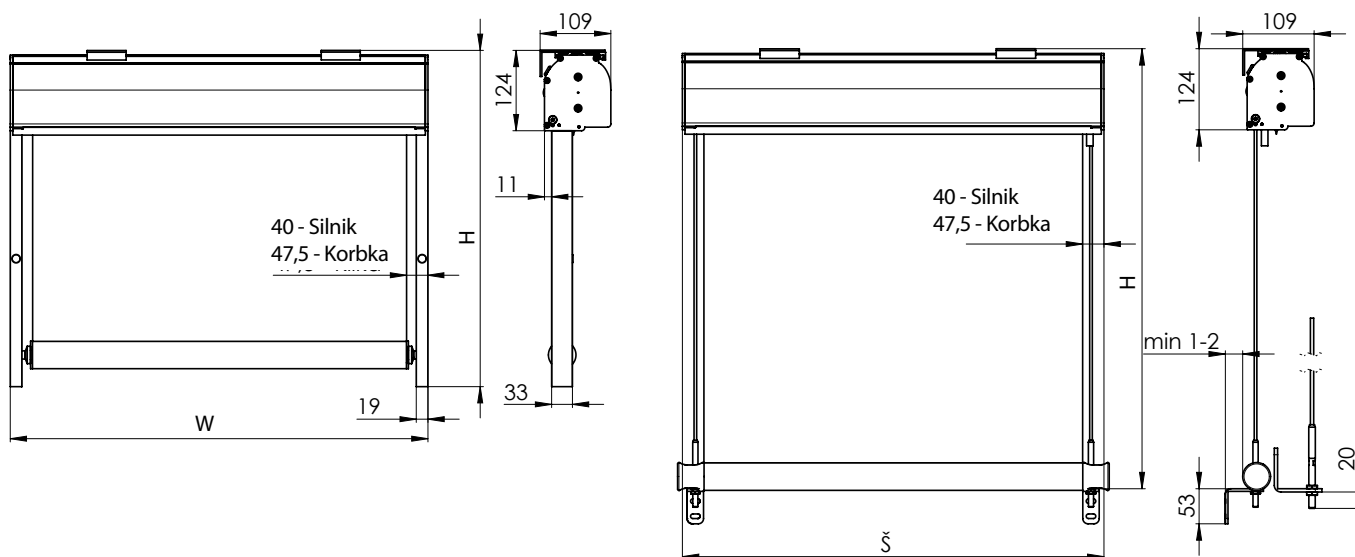
Mierzy się rzeczywistą szerokość otworu w trzech punktach, do formularza zamówieniowego podaje się najmniejszą rzeczywistą zmierzoną wartość.

## b) umocowanie na otwór

Do formularza zamówieniowego podaje się zazwyczaj szerokość otworu, który roleta ma zaciemnić. Wymiary poza podanymi limitami trzeba konsultować z producentem.

**w ..... (wysokość)**

Mierzy się całkowitą wysokość wraz z profilem górnym i uchwytem rolety.



Wymiary poza podanymi limitami trzeba również konsultować z producentem.

## SCREEN GW

### Montaż

#### Montaż

Montaż rolet może przeprowadzać wyłącznie wykwalifikowany personel zdolny do należytego dotrzymania podanych poniżej wskazówek z pełnym uwzględnieniem bezpieczeństwa własnego i innych osób.

Główne czynności:

- 1) przygotowanie ścian, stropów okien lub innej konstrukcji do montażu rolet z użyciem przenośnych wiertarek i śrubokrętów;
- 2) montaż rolety na ścianę lub strop;
- 3) podłączenie do doprowadzenia zasilania elektrycznego;
- 4) ustawienie (ograniczników końcowych / łączników krańcowych silnika, itp.) i testowanie rolety.

#### Przygotowanie montażu rolety

Przed montażem rolety skontrolować, czy powierzchnia miejsca montażowego nadaje się do montażu. Wybrać odpowiednie wkręty mocujące (typ i wymiary) odpowiadające typowi konstrukcji, na której będzie montowana roleta (drewno, beton, cegła, itp.).

Uwaga: Nieprawidłowa instalacja może być przyczyną wypadku. Dotrzymywać zaleceń dotyczących prawidłowego montażu rolety, aby zapobiec ryzyku odpadnięcia rolety od ściany lub okna. Spółka ISOTRA a.s. nie odpowiada za wady spowodowane nieprawidłowym montażem.

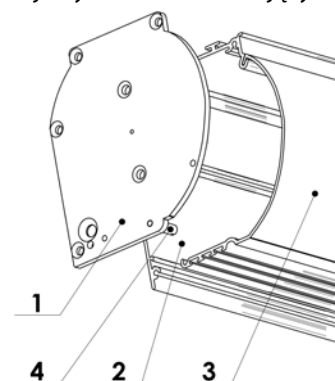
#### Montaż rolety

Sposób montażu zależy od typu rolety:

- a) Stała kasetę z linkami: najpierw zamontować kasetę na ścianę lub strop a następnie naciągnąć i umocować linki.
- b) Stała kasetę z listwą prowadzącą GC20: najpierw zamontować kasetę na ścianę lub strop a następnie umocować listwy prowadzące. Kasetę z roletą można montować na strop lub montaż czołowy z pomocą specjalnych konsoli mocujących.

#### Montaż górnej kasety

Górna kasetę składa się z trzech części: ściany boczne (1), część stała (2) i część zdejmowana (3). W razie potrzeby wyjęcia wałka nawijającego dostęp do wnętrza górnej kasety jest możliwy po usunięciu dwóch śrub (4) - jednej na każdej stronie i zdjęciu zdejmowanej części kasety.



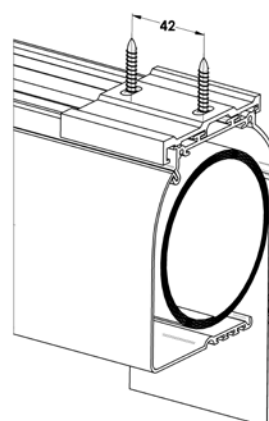
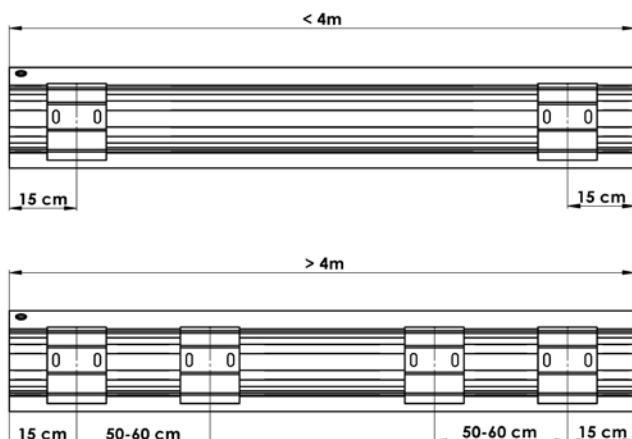
**SCREEN GW**

## Montaż na strop

**Montaż na strop**

Vyznačte pozici otvorů, které se mají vyvrtat, a zohledněte následující faktory:

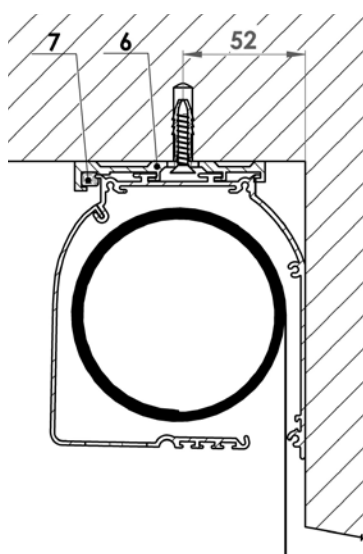
- w przypadku górnych kaset o szerokości do 4,0 m wystarczą dwie konsole(6), które trzeba zamontować w odległości w przybliżeniu 15- 20 cm od każdego końca.
- w przypadku szerszych rolet są potrzebne cztery konsoly, zawsze jedna 15–20 cm od każdego końca i druga 20–60 cm od pierwszej.



- o ile to jest możliwe, odległość od ściany zależy od sposobu, w jaki jest zamontowana konsola i pozycji klinów (7):
  - klin z przodu: **52 mm**
  - klin z tyłu: **100 mm**

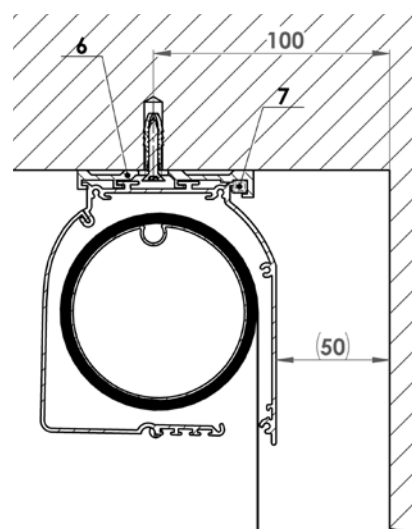
Trzeba pamiętać o następującym:

- montaż konsoli ze śrubami mocującymi / klinami skierowanymi do pomieszczenia minimalizuje odległość między górną kasetą i tylną ścianą, ale konsola zostaje widoczna i nie wygląda estetycznie;



- montaż konsoli ze śrubami mocującymi / klinami z tyłu jest bardziej estetyczna, ale wymaga miejsca minimalnie 5 cm między tylną ścianą i górną kasetą.

Zamontować konsoly (6) z pomocą wkrętów i części odpowiadających typowi konstrukcji, na którą są montowane (konstrukcja metalowa, rama okna, ściana lub inny materiał). W przypadkach, kiedy są użyte cztery konsoly, zapewnić, aby konsoly były doskonale wyrównane  $\pm 1$  mm; można to skontrolować posuwając kasetę wzdłuż wycięć przed dokręceniem śrub mocujących.



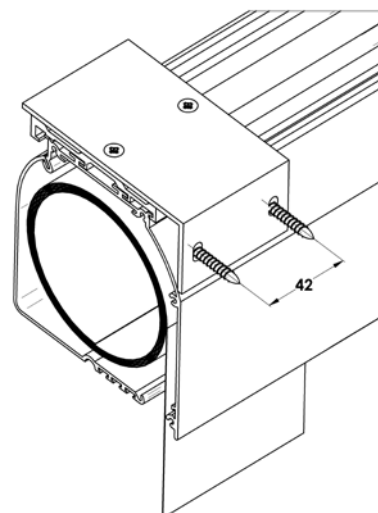
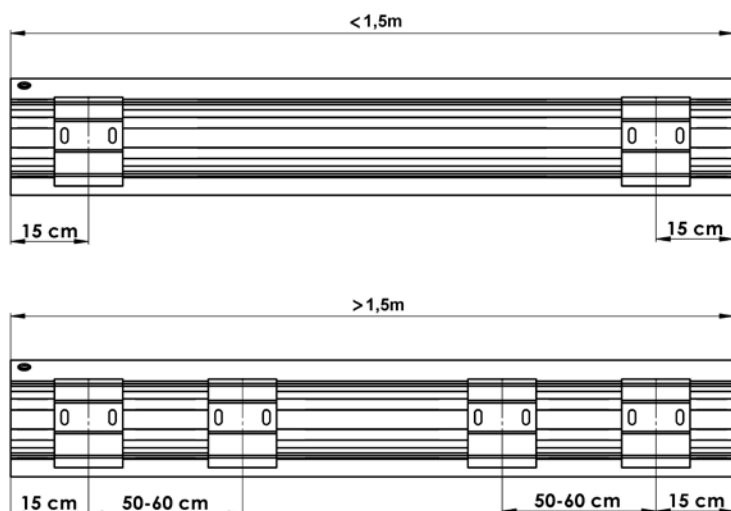
Założyć górną kasetę na konsoly (6) i posuwać ją wzdłuż, dopóki nie będzie wycentrowana w ramach skrzydła okna i wcisnąć kliny(7) dla zabezpieczenia kasety na miejscu.

## SCREEN GW

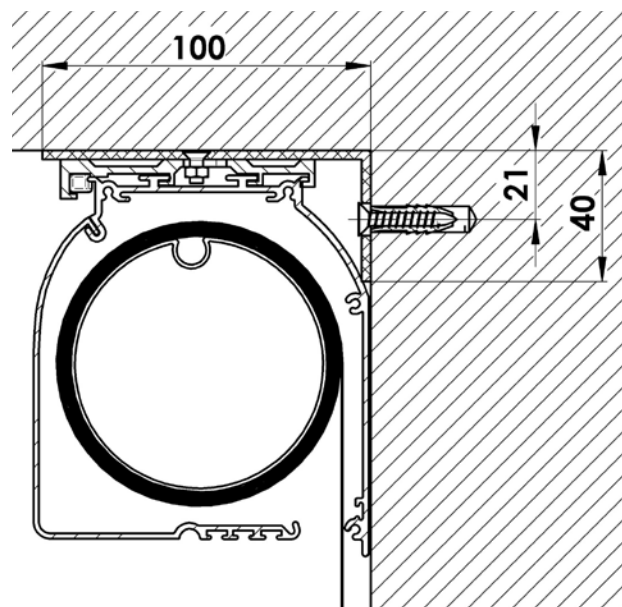
Montaż na ścianę

### Montaż na ścianę

Zaznaczyć pozycje konsoli „L” i otworów, które mają być wiercone. W przypadku górnych kaset o szerokości do **1,5 m** wystarczają dwie konsole, które trzeba zamontować w odległości w przybliżeniu 15 -20 cm od każdego końca. W przypadku szerszych rolet są potrzebne cztery konsole, zawsze jedna 15–20 cm od każdego końca i druga 50–60 cm od pierwszej.



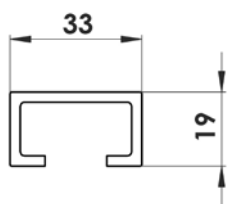
Zamontować konsole z pomocą wkrętów i części odpowiadających typowi konstrukcji, na którą są montowane (konstrukcja metalowa, rama okna, ściana lub inny materiał). W przypadkach, kiedy są użyte cztery konsole, zapewnić, aby konsole były doskonale wyrównane  $\pm 1$  mm; można to skontrolować posuwając kasetę wzdłuż wycięć przed dokręceniem śrub mocujących. Założyć kasetę na konsole- i posuwać ją wzdłuż, dopóki nie będzie wycelowana w ramach skrzydła okna i wcisnąć kliny dla zabezpieczenia kasety na miejscu.



## SCREEN GW

### Montaż listew prowadzących

#### Montaż listew

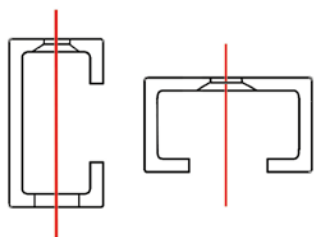


Najpierw zamontować kasetę na strop / ścianę, następnie zamontować listwy prowadzące. Dla modelu GW w ofercie jest tylko jeden model listew prowadzących GC20.

Listwa jest dostarczana z otworami nawierconymi fabrycznie według zamówienia od czoła lub z boku.

Rozmieszczenie otworów jest zawsze:

- skrajne otwory są umieszczone ok. 10 cm od końca listwy
- pozostałe otwory są rozmieszczone co 50–80 cm równomiernie na całej długości listwy prowadzącej

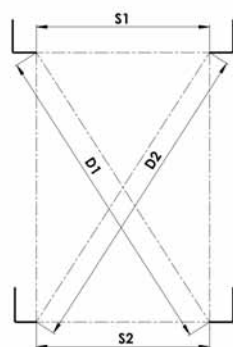


Wyznaczona czerwona linia oznacza oś pionową na śruby montażowe. Należy użyć nawierconych listew prowadzących jako szablonu do przeniesienia pozycji otworów na ścianę skrzydła okna.

Przykręcić listwy prowadzące do ściany z pomocą wkrętów i części odpowiadających typowi konstrukcji, do której są montowane (konstrukcja metalowa, beton, mur, itp.).

Po dokończeniu montażu skontrolować, czy listwy prowadzące są równoległe i prostopadłe. To można zrobić mierząc dwie odległości „S1” i „S2” lub przekątne „D1” i „D2”. Wymiary muszą być jednakowe  $\pm 2$ mm. Prawidłowe umieszczenie listew prowadzących jest niezbędne, w przeciwnym wypadku może być naruszone funkcjonowanie rolety.

W przypadku montażu czołowego listwy prowadzącej są dostarczane samoprzylepne nalepki do zakrycia otworów śrub mocujących.



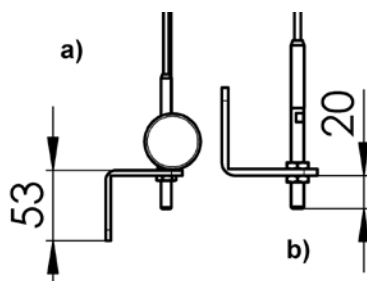


## SCREEN GW

### Montaż linek

#### Montaż linek

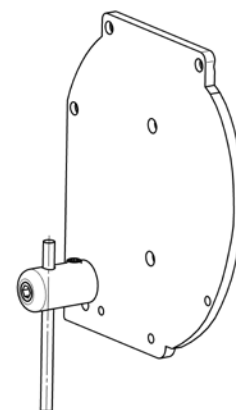
Linki stalowe o  $\varnothing 4$  mm są dostarczane przycięte na odpowiednią długość z naprasowaną końcówką gwintową. Dokładna konfiguracja linek może być różna w zależności od konkretnego projektu. Po zamontowaniu górnej kasety przewlec linkę przez wałek mocujący na ścianę boczną i zabezpieczyć śrubką.



Dolne konsole mogą być montowane bocznie lub czołowo, przy tym profil „L” może być skierowany w dół (a) lub w górę (b).

Uwaga: Wyboru miejsca do montażu konsoli trzeba dokonać jeszcze przed zamówieniem rolet, ponieważ ta pozycja określa długość linki.

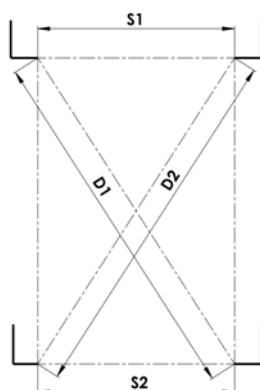
Jeżeli konsole są montowane skierowane w górę (b), należy zostawić co najmniej 20 mm między konsolą i podłogą lub parapetem okna.



Przykręcić konsole do ściany z pomocą wkrętów i części odpowiadających typowi konstrukcji, do której są montowane (konstrukcja metalowa, beton, mur, itp.). W razie potrzeby zwiększyć wysięg konsoli od ściany z pomocą podkładek. Linkę zawsze napinać i trzymać ją, aby nie skręciła się.

#### UWAGA

Skontrolować, czy cztery punkty mocowania linek są równoległe i prostopadłe. To można przeprowadzić mierząc dwie odległości „S1” i „S2” lub przekątne „D1” i „D2”. Wymiary muszą być jednakowe  $\pm 1$  mm.



**SCREEN GW**

## Montaż korbki

**Montaż korbki przez ścianę**

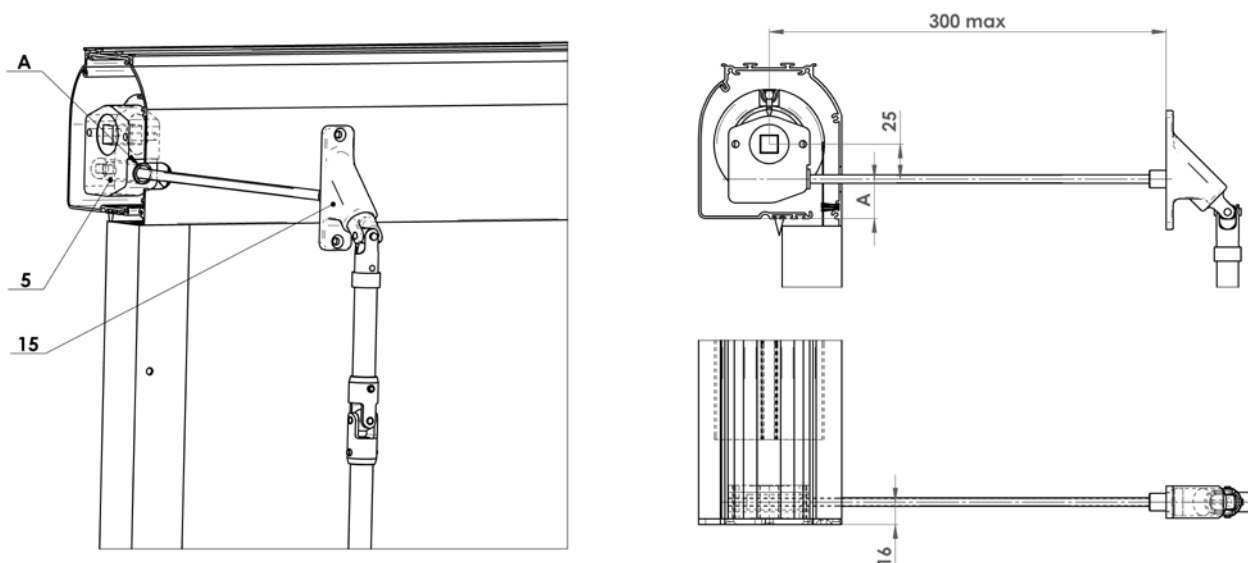
Korbka – wariant z przepustem (Ks)

W przypadku rolety zewnętrznej montowanej z przepustem przez ścianę i prętem korbki wewnątrz należy najpierw starannie obliczyć pozycję otworu na pręt sześciokątny o długości 30 cm (15).

Zamontować konsole na ścianę lub strop i zainstalować roletę na jej miejsce. Zaznaczyć ołówkiem pozycję dolnego rogu kasety na ścianie lub ramie okna. Wyjąć roletę z konsoli montażowych i zmierzyć odległość od dolnego rogu kasety do środka otworu (A) w tylnej części kasety (służącego do włożenia pręta sześciokątnego do obsługi przekładni). Zaznaczyć taką samą odległość na ścianie wyznaczając środek otworu, który ma być wiercony.

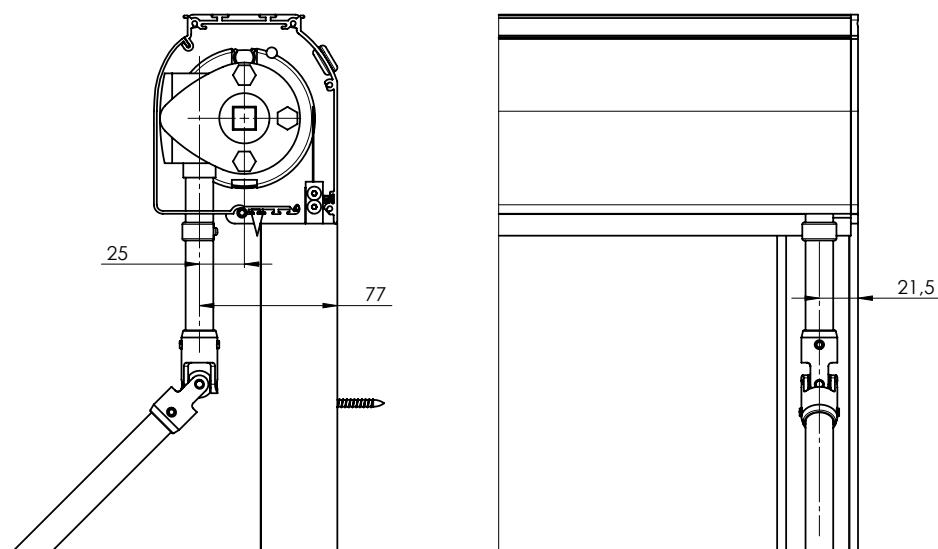
Ostrożnie wywiercić przez ścianę otwór z pomocą wiertła o średnicy 8 mm. Jest ważne, aby otwór był w miarę jak najdokładniej poziomy.

Zainstalować z powrotem roletę i od wewnątrz włożyć przez ścianę przepust, aby skontrolować prawidłową pozycję otworu. Następnie uciąć pręt sześciokątny piłką na prawidłową długość. Jego długość zależy od grubości ściany.



Korbka – wariant prosty (K)

Korbka połączona z roletą już w dostawie



## SCREEN LITE

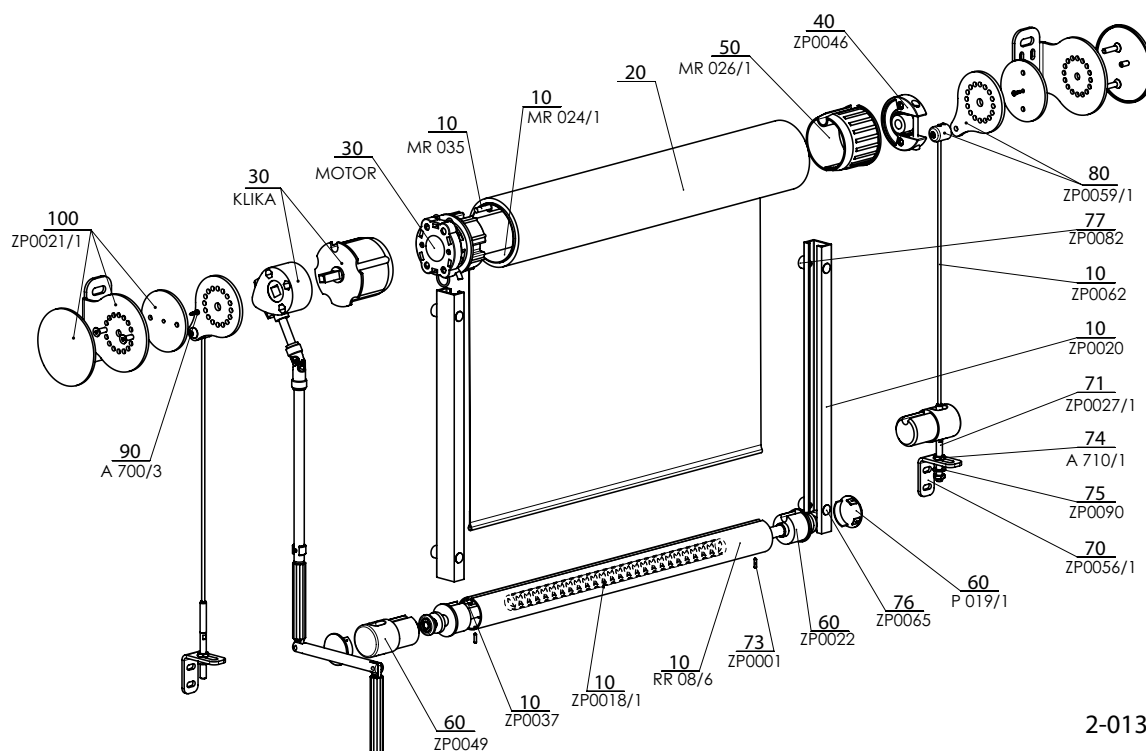


- ▲ Lekki wariant bez profilu kryjącego,
- ▲ dostępna cenowo alternatywa dla modeli SCREEN ZIP i SCREEN GW,
- ▲ zaciemnienie powierzchni wewnętrznych i zewnętrznych,
- ▲ boczne prowadzenie linką lub listwą,
- ▲ możliwość napędu elektrycznego,
- ▲ Klasa odporności na wiatr 3.

**ISOTRA** *Quality*

## SCREEN LITE

### Podstawowa specyfikacja produktu



2-01395-0000-A

### Obsługa

Służy do spuszczenia i podnoszenia rolety ekranowej.

**Korbka** - przeciągnięcie prętowego mechanizmu do obsługi do wnętrza przeprowadza się pod kątem między 45° i 90° z pomocą przepustu i pręta sześciokątnego. (Kolor: biały / anodowany)

**Silnik** - możliwość sterowania z pomocą czujnika słońce / wiatr, ewentualnie pilotem zdalnego sterowania lub wyłącznikiem.

### Specyfikacja

	Rura	Dolny profil	Boczne prowadzenie		Montaż
			listwa prowadząca	linka	
Nazwa handlowa	MR 024/1	FD 42	GC20	ZP0062	do stropu (do otworu okiennego) na ścianę (przed otwór okienny)
Wymiar (mm)	Ø 78 mm	Ø 42 mm	33x19 mm	Ø 4 mm	
Materiał	Fe	Al	Al	Fe	
Kolor	szary	Standardowy: RAL 9006 jasno srebrny RAL 9007 ciemno srebrny RAL 9010 biały RAL 7016 antracytowo szary	RAL 7016S antracytowo szara struktura RAL 8014 brązowy pozostałe kolory RAL na życzenie*	Szary	

\*oprócz części plastikowych, maksymalnej Szerokość 4000 mm

Nietypowych wariantów nie produkujemy.

### Standardowe wymiary

Wersja	Szerokość (mm)		Wysokość (mm)		Gwarantowana powierzchnia (m <sup>2</sup> ) maks.
	min.	maks.	min.	maks.	
Korbka	500	4000	500	3800	15,2
Silnik	800	4500	500	4000	18

### Normalne zjawiska związane z tkaninami technicznymi

W okolicy zgrzewu lub pośrodku tkaniny może dojść do sfaldowania materiału, tzw. efektu choinkowego. To zjawisko jest normalne, ponieważ podczas używania na materiał działają różne siły. Następnym zjawiskiem mogą być widoczne odciski od walca na materiale. Znikną one przy wyższej temperaturze, kiedy materiał wyrówna się.

## SCREEN LITE (2-01395-0000)

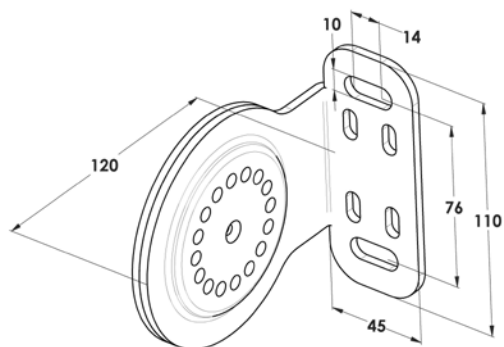
pozycja	nazwa pozycji	Nazwa handlowa	numer rysunku
10	Listwa dolna Al - FD 42 surowe	RR 08/6	6-009147-0000
10	Obciążnik screen okrągły (cynkowany ogniowo)	ZP0018/1	3 02880-PU27
10	Pręt plastikowy 3,8 mm	ZP0037	6-009163-0000
10	Wątek nawijający markizy śr. 78 mm - 6 m	MR 024/1	6-011084-0078
10	Pręt plastikowy 6,0mm PVC	ZP0097/0006	6-016911-0006
10	Linka stalowa 4mm	ZP0062	6-011492-0000
10	Listwa prowadząca GC20 surowa	ZP0020	6-008727-0000
<b>20</b>	<b>Materiał screen</b>		<b>patrz wzornik SCREEN</b>
<b>30</b>	<b>Silniki (SOMFY, BECKER) screen</b>		<b>patrz Obsługa</b>
<b>30</b>	<b>Przekładnia + korbka do screen</b>		<b>patrz Obsługa</b>
40	Uchwyt Al z tuleją komplet do silnika	ZP0046	6-009209-0000
50	Kołpak wałka śr. 78mm z czopem	MR 026/1	6-011086-0078
60	Końcówka listwy dolnej FD 42 (VL) czarna	ZP0022	6-008736-0030
60	Końcówka screen czarna	ZP0049	3-02208-9004
60	Pokrywa listwy prowadzącej śr. 40	P 019/1	3-01849-9006
70	Kątownik linki napinającej - stal nierdzewna, nielakierowana	ZP0056/1	3-02431-0000
71	Śruba napinająca	ZP0027/1	3-02430-0000
73	Kołek sprężynowy 3x12 DIN 7346	ZP0001	6-009807-0000
74	Nakrętka niska M8 nierdzewna DIN 439B A2	A 710/1	6-010705-0000
75	Podkładka M8, DIN 125-A1, A2	ZP0090	6-009997-0002
76	Oslona samoprzylepna 606-172-13 srebrna RAL9006	ZP0065	6-011520-0000
77	Podkładka montażowa - prof. prow. GC20	ZP0082	7-302422-0000
80	Uchwyt linki dla konsoli okrągłej - komplet + para RAL	ZP0059/1	2 01009-PU11
90	Śruba zabezpieczająca pokrywy M4	A 700/3	7-303030-0000
100	Konsola okrągła - komplet + para RAL	ZP0021/1	2 01002-PU11

**SCREEN LITE**

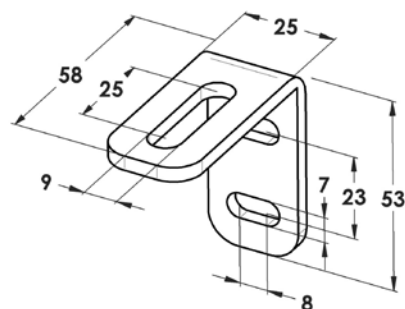
Specyfikacja techniczna

**Konsola**

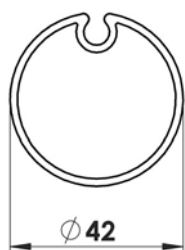
(2-01002)

**Uchwyt linki stalowej**

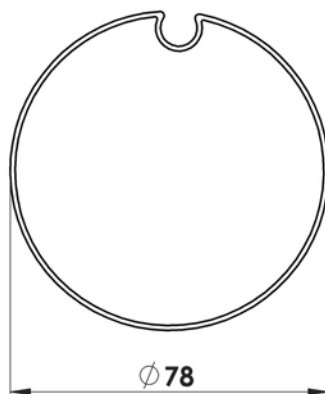
(3-02431) - stal nierdzewna, nielakierowana

**Profil dolny FD 42**

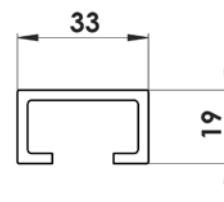
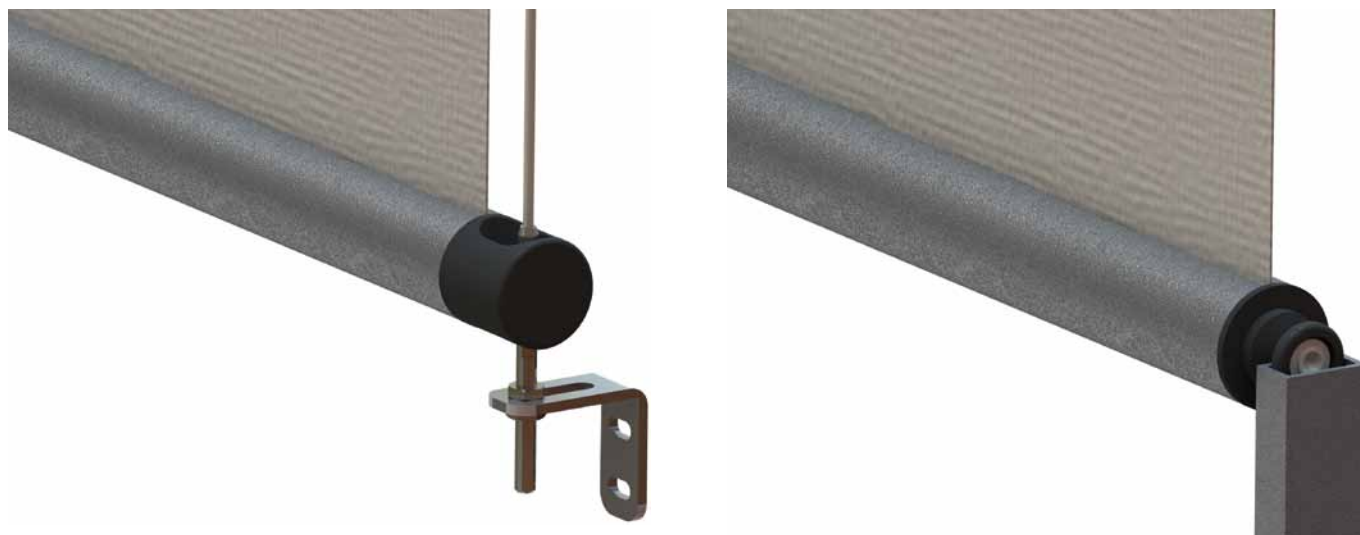
(RR 08/6, 6-009147)

**Walek nawijający**

(6-011084)

**Listwa prowadząca GC 20**

(6-008727)

**Warianty prowadzenia bocznego**

## SCREEN LITE

Wymiarzenie i montaż

### Instrukcja wymiarzenia

Rolety ekranowe SCREEN LITE można umieścić zarówno do otworu, jak też przed otwór, z montażem na strop lub na ścianę. Szerokość i wysokość rolety ekranowej mierzymy w następujący sposób:

#### Š ..... (szerokość)

a) umocowanie do otworu

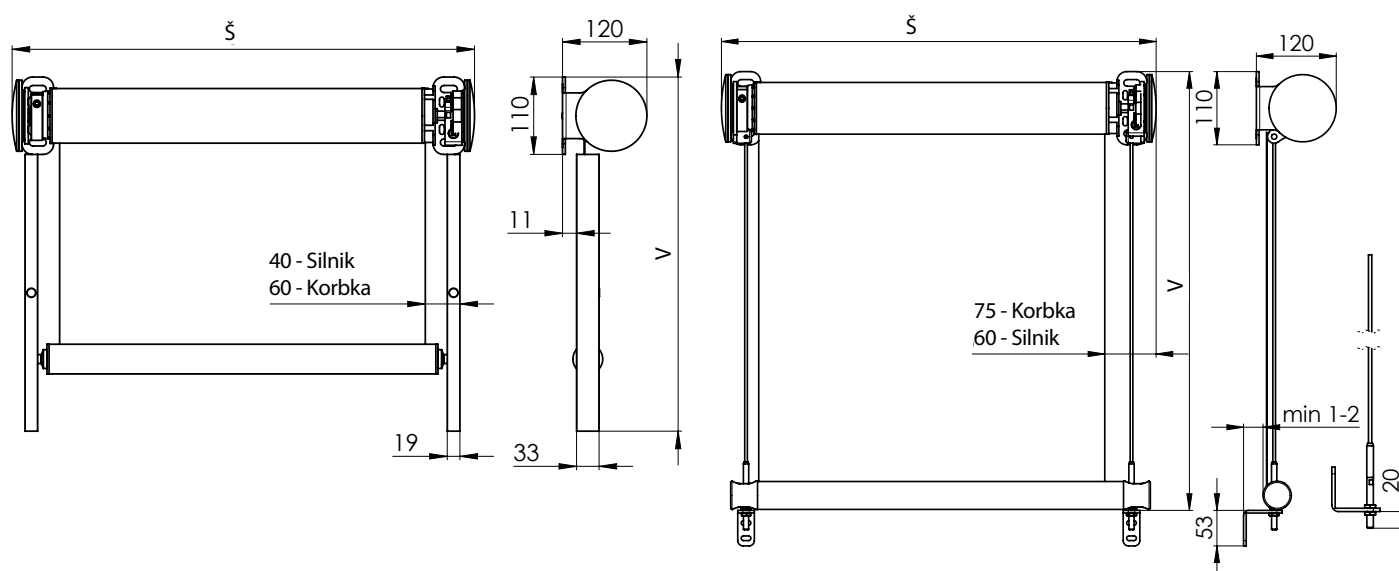
Mierzy się rzeczywistą szerokość otworu w trzech punktach, do formularza zamówieniowego podaje się najmniejszą rzeczywistą zmierzoną wartość.

b) umocowanie na otwór

Do formularza zamówieniowego podaje się zazwyczaj szerokość otworu, który roleta ma zaciemnić. Wymiary poza podanymi limitami trzeba konsultować z producentem.

#### V ..... (wysokość)

Mierzy się całkowitą wysokość wraz z profilem górnym i uchwytem rolety.



Wymiary poza podanymi limitami trzeba również konsultować z producentem.

### Montaż

Montaż rolet może przeprowadzać wyłącznie wykwalifikowany personel zdolny do należytego dotrzymania podanych poniżej wskazówek z pełnym uwzględnieniem bezpieczeństwa własnego i innych osób.

Główne czynności:

- 1) przygotowanie ścian, stropów okien lub innej konstrukcji do montażu rolet z użyciem przenośnych wiertarek i śrubokrętów;
- 2) montaż rolety na ścianę lub strop;
- 3) podłączenie do doprowadzenia zasilania elektrycznego;
- 4) ustawienie (ograniczników końcowych / łączników krańcowych silnika, itp.) i testowanie rolety.

### Przygotowanie montażu rolety

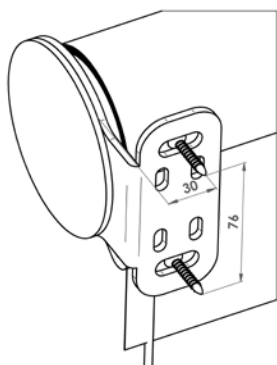
Przed montażem rolety skontrolować, czy powierzchnia miejsca montażowego nadaje się do montażu. Wybrać odpowiednie wkręty mocujące (typ i wymiary) odpowiadające typowi konstrukcji, na której będzie montowana roleta (drewno, beton, cegła, itp.).

Uwaga: Nieprawidłowa instalacja może być przyczyną wypadku. Dotrzymywać zaleceń dotyczących prawidłowego montażu rolety, aby zapobiec ryzyku odpadnięcia rolety od ściany lub okna. Spółka ISOTRA a.s. nie odpowiada za wady spowodowane nieprawidłowym montażem.

## SCREEN LITE

### Montaż

#### Montaż rolety na strop lub na ścianę



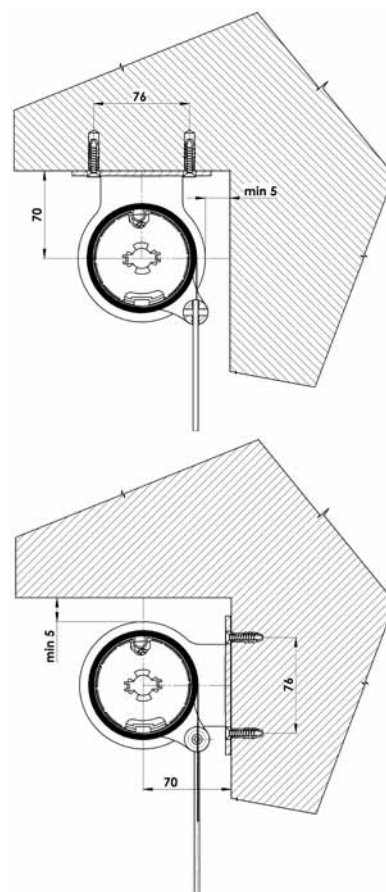
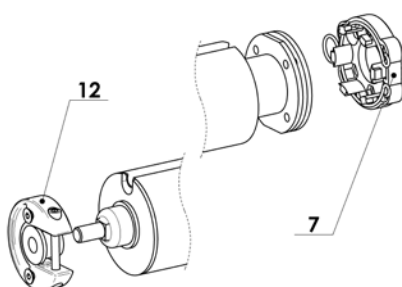
Montaż rolety ekranowej na strop zacząć od wymierzenia umieszczenia otworów do mocowania konsoli nośnych.

Odległość śrub od krawędzi rolety powinna wynosić 30 mm. Rozstaw między śrubami wynosi 76 mm.

Między ścianą lub stropem i konsolą nośną zostawić wolne miejsce 5mm tak, jak jest pokazane na rysunku.

Prawidłowość wymierzenia można jeszcze przed wierceniem sprawdzić przykładając roletę w zmontowanym stanie. Wywiercić otwory i zamontować konsole nośne. Na umocowane konsole nasadzić nawój rolety i zabezpieczyć.

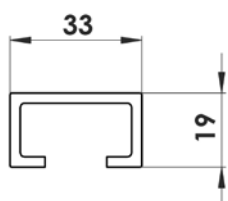
Nawój nasadza się na stronie silnika do uchwytu HiPro (7) i zabezpiecza spinką a na przeciwległej stronie wkłada do plastikowej tulei (12) i zabezpiecza się śrubką.



## SCREEN LITE

### Montaż listew prowadzących

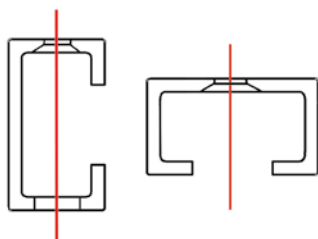
#### Montaż listew prowadzących



Najpierw zamontować kasetę na strop / ścianę, następnie zamontować listwy prowadzące. Dla modelu SCREEN LITE w ofercie jest tylko jeden model listew prowadzących GC20. Listwa jest dostarczana z otworami nawierconymi fabrycznie według zamówienia od czoła lub z boku.

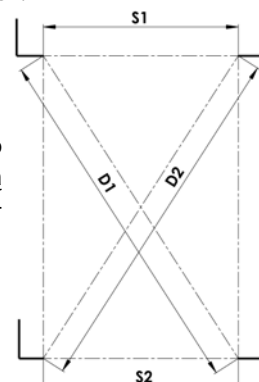
Rozmieszczenie otworów jest zawsze:

- skrajne otwory są umieszczone ok. 10cm od końca listwy
- pozostałe otwory są rozmieszczone co 50–80cm równomiernie na całej długości listwy prowadzącej



Wyznaczona czerwona linia oznacza oś pionową na śruby montażowe. Użyć nawierconych listew prowadzących jako szablonu do przeniesienia pozycji otworów na ścianę skrzydła okna. Przykręcić listwy prowadzące do ściany z pomocą wkrętów i części odpowiadających typowi konstrukcji, do której są montowane (konstrukcja metalowa, beton, mur, itp.). W przypadku montażu czołowego listwy prowadzącej są dostarczane samoprzylepne nalepki do zakrycia otworów śrub mocujących.

Po dokończeniu montażu skontrolować, czy listwy prowadzące są równoległe i prostopadłe. To można przeprowadzić mierząc dwie odległości „S1” i „S2” lub przekątne „D1” i „D2”. Wymiary muszą być jednakowe  $\pm 2$ mm. Prawidłowe umieszczenie listew prowadzących jest niezbędne, w przeciwnym wypadku może być naruszone funkcjonowanie rolety.



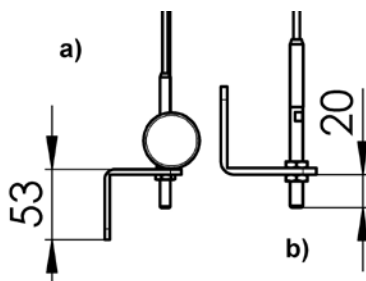


## SCREEN LITE

### Montaż linek

#### Montaż linek

Linki stalowe o  $\varnothing 4$  mm są dostarczane przycięte na odpowiednią długość z naprasowaną końcówką gwintową. Dokładna konfiguracja linek może być różna w zależności od konkretnego projektu. Po zamontowaniu konsoli nośnych przewlec linkę przez wałek mocujący na ścianę boczną i zabezpieczyć śrubką.

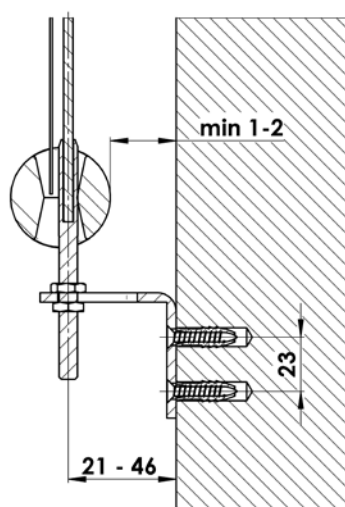


Dolne konsole mogą być montowane bocznie lub czołowo, przy tym profil „L” może być skierowany w dół (a)

(a) lub w górę (b).

Uwaga: Wyboru miejsca do montażu konsoli trzeba dokonać jeszcze przed zamówieniem rolet, ponieważ ta pozycja określa długość linki.

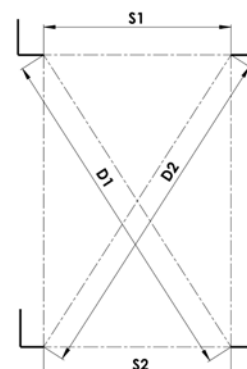
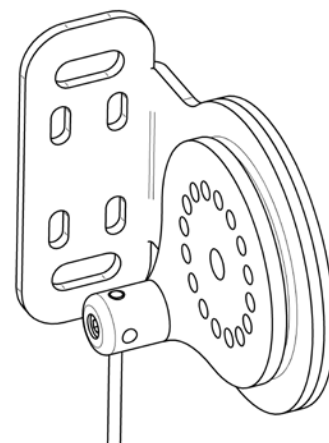
Jeżeli konsole są montowane skierowane w górę (b), należy zostawić co najmniej 20 mm między konsolą i podłogą lub parapetem okna.



Przykręcić konsole do ściany z pomocą wkrętów i części odpowiadających typowi konstrukcji, do której są montowane (konstrukcja metalowa, beton, mur, itp.). Dolny profil powinien być w odległości od ściany lub okna co najmniej 1-2mm, aby nie doszło do wzajemnego uszkodzenia podczas pracy. W razie potrzeby zwiększyć wysięg konsoli od ściany z pomocą podkładek. Linkę zawsze napinać i trzymać ją, aby nie skręciła się.

#### UWAGA

Skontrolować, czy cztery punkty mocowania linek są równoległe i prostopadłe. To można przeprowadzić mierząc dwie odległości „S1” i „S2” lub przekątne „D1” i „D2”. Wymiary muszą być jednakowe  $\pm 1$ mm.



## SCREEN LITE

### Montaż korbki

#### Montaż korbki przez ścianę

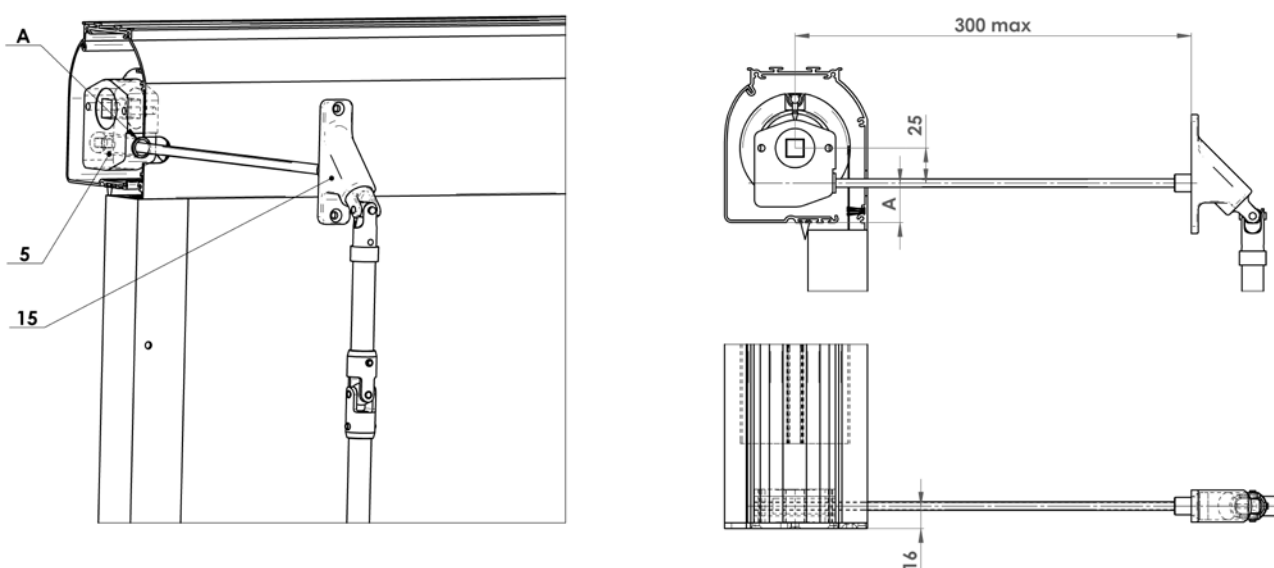
Korbka – wariant z przepustem (Ks)

W przypadku rolety zewnętrznej montowanej z przepustem przez ścianę i prętem korbki wewnątrz należy najpierw starannie obliczyć pozycję otworu na pręt sześciokątny o długości 30 cm (15).

Zamontować konsolę na ścianę lub strop i zainstalować roletę na jej miejsce. Zaznaczyć ołówkiem pozycję dolnego rogu kasety na ścianie lub ramie okna. Wyjąć roletę z konsoli montażowych i zmierzyć odległość od dolnego rogu kasety do środka otworu (A) w tylnej części kasety (służącego do włożenia pręta sześciokątnego do obsługi przekładni). Zaznaczyć taką samą odległość na ścianie wyznaczając środek otworu, który ma być wiercony.

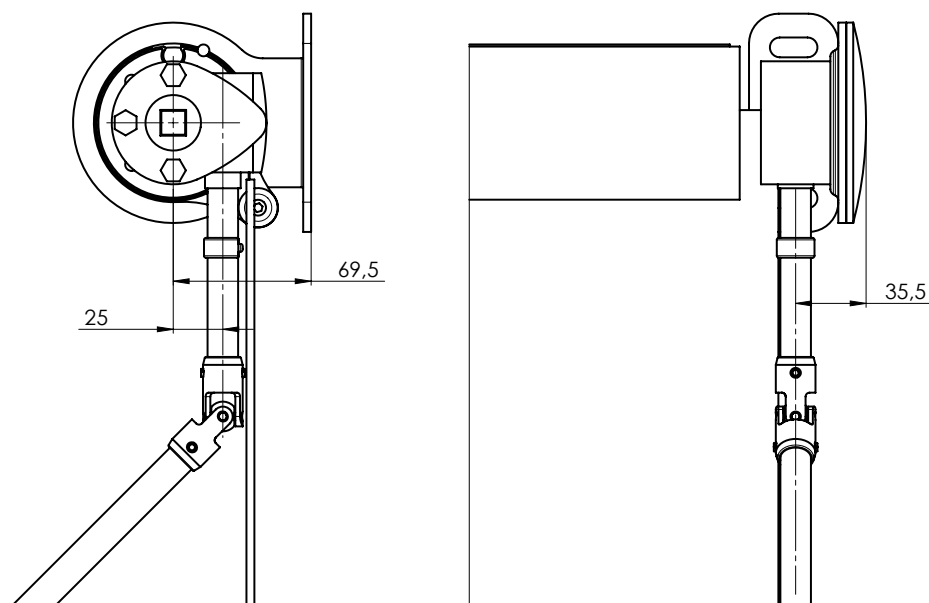
Ostrożnie wywiercić przez ścianę otwór z pomocą wiertła o średnicy 8 mm. Jest ważne, aby otwór był w miarę jak najdokładniej poziomy.

Zainstalować z powrotem roletę i od wewnątrz włożyć przez ścianę przepust, aby skontrolować prawidłową pozycję otworu. Następnie uciąć pręt sześciokątny piłką na prawidłową długość. Jego długość zależy od grubości ściany.



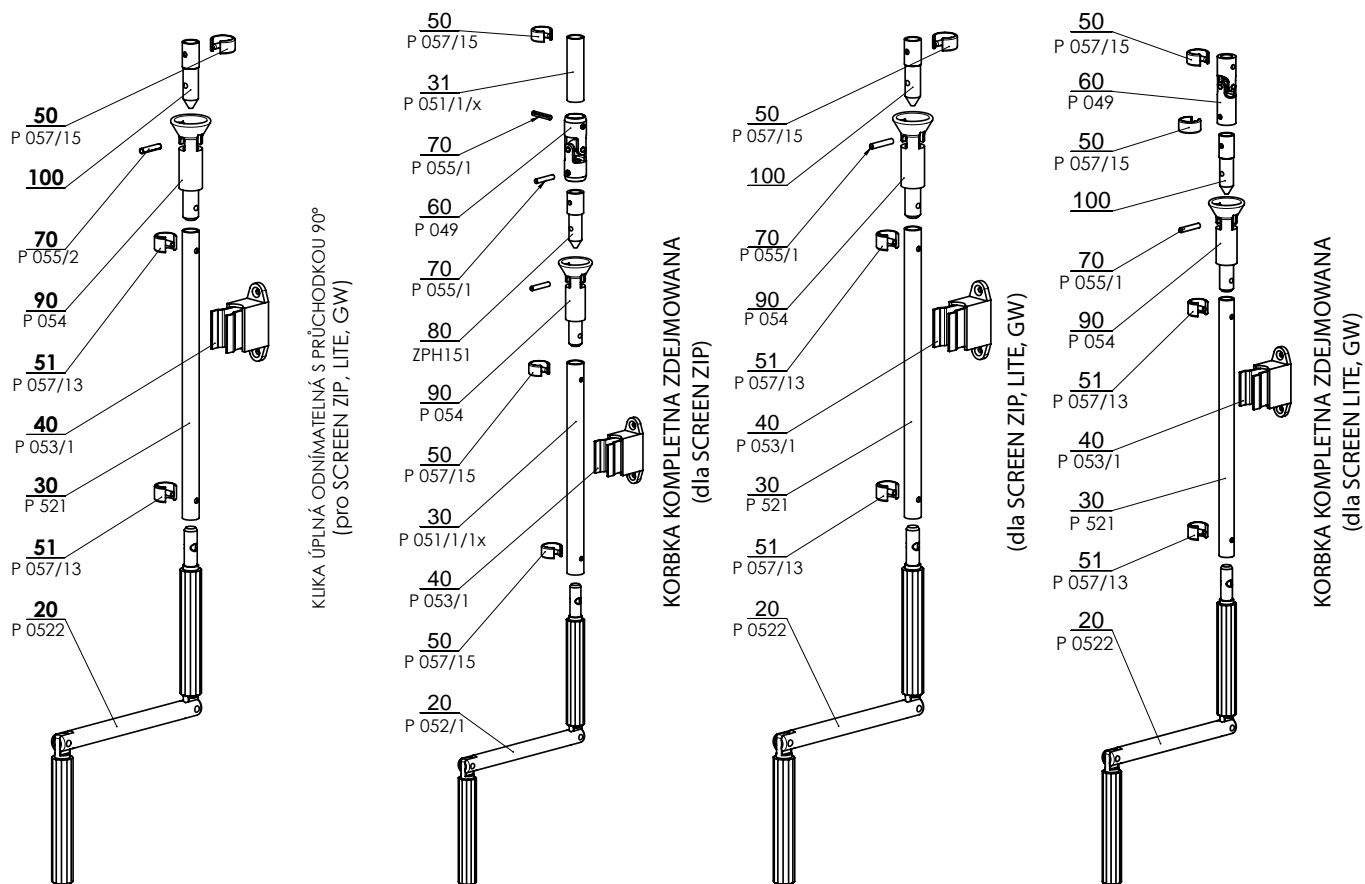
Korbka – wariant prosty (K)

Korbka połączona z roletą już w dostawie



## SCREEN ZIP, GW, LITE

## Obsługa Korbka



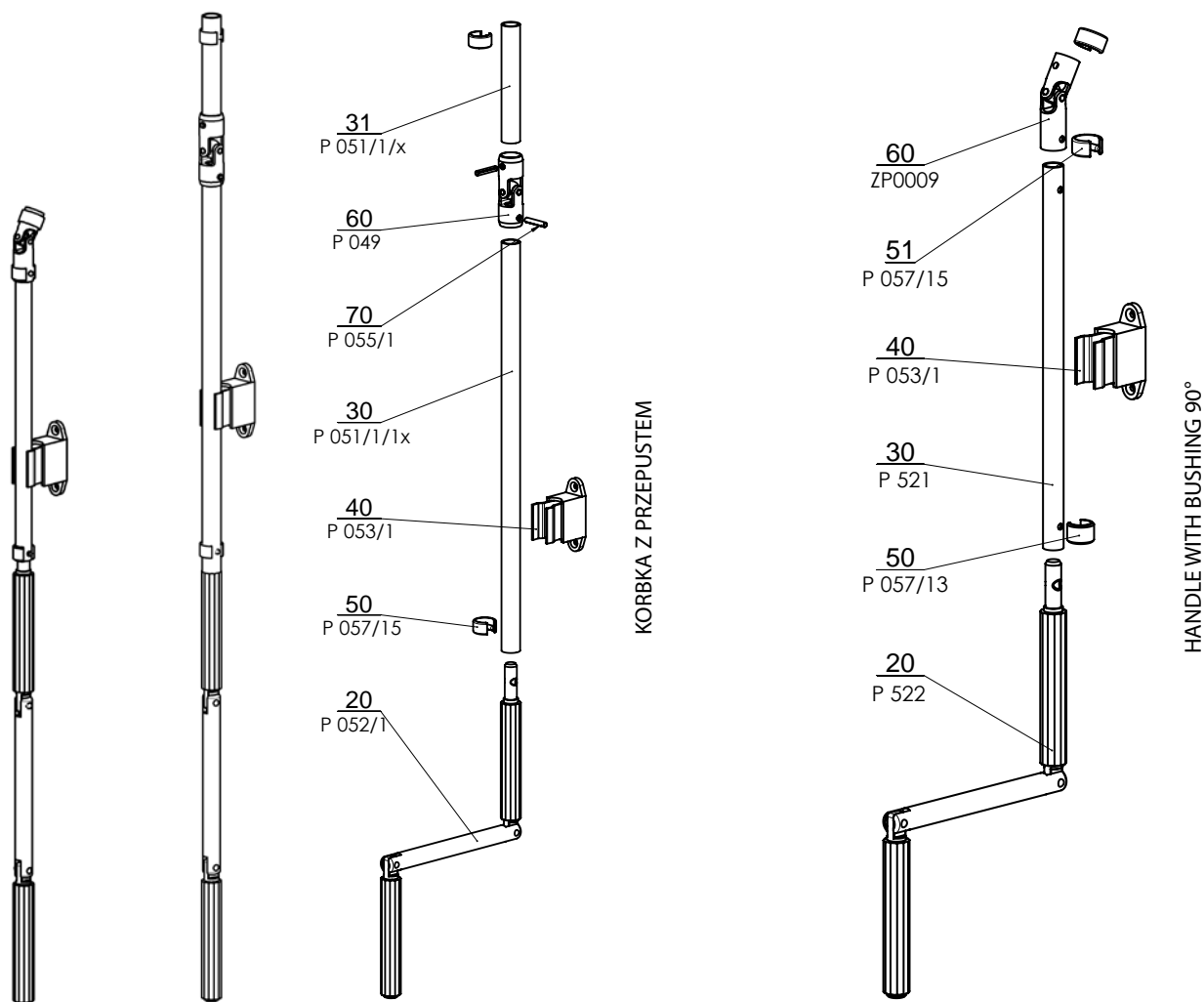
2-01436-XXXX-A

## Korbka kompletna zdejmowana do SCREEN (2-01436-XXXX-0)

pozycja	nazwa pozycji	Nazwa handlowa	numer rysunku
20	Korbka łamana Al – średnica 12 mm szara	P 052/1	6-006682-0000
20	Korbka łamana Al – średnica 10 mm szara	P 522	6-001255-0000
30,31	Rura korbki Al – średnica 15 mm anodowana	P 051/1/X	7-301797-PU52
30	Rura korbki Al – średnica 13 mm anodowana	P 521	6-001254-0000
40	Uchwyt korbki – uniwersalny szary	P 053/1	6-006683-7045
50	Pierścień zabezpieczający z czopem 15 mm szary	P 057/15	6-006467-7035
53	Pierścień zabezpieczający z czopem 13 mm szary	P 057/13	6-006468-7035
60	Kardan rury połączeniowej 15 mm	P 049	6-001182-0000
70	Kołek sprężynowy 4x22 Din 1481	P 055/1	6-004581-0000
80	Adaptacja – kardan	ZPH151	6-014318-0000
90	Gniazdo korbki kwadrat	P 054	6-001190-0000
100	Czop do korbki		3-03287-0000

**SCREEN ZIP**

## Obsługa Korbka



Korbka kompletna do Screen ZIP (2-00868-XXXX-B)

Korbka kompletna do screen GW, LITE (2-00859-XXXX-A)

**Korbka kompletna do SCREEN ZIP (2-00868-XXXX-B)**

pozycja	nazwa pozycji	Nazwa handlowa	numer rysunku
20	Korbka łamana Al – średnica 12 mm szara	P 052/1	6-006682-0000
30,31	Rura korbki Al – średnica 15 mm anodowana	P 051/1/X	7-301797-PU52
40	Uchwyt korbki – uniwersalny szary	P 053/1	6-006683-7045
50	Pierścień zabezpieczający z czopem 15 mm szary	P 057/15	6-006467-7035
60	Kardan rury połączeniowej 15 mm	P 049	6-001182-0000
70	Kołek sprężynowy 4x22 Din 1481	P 055/1	6-004581-0000

**Korbka kompletna do SCREEN GW, LITE (2-00859-XXXX-A)**

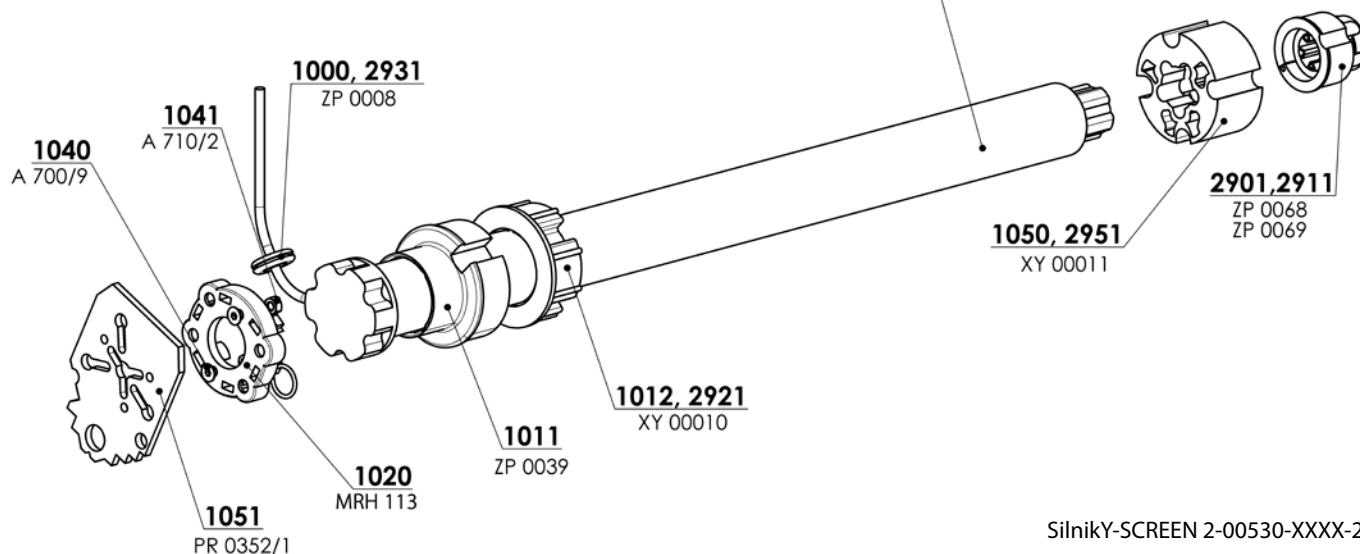
pozycja	nazwa pozycji	Nazwa handlowa	numer rysunku
20	Korbka łamana Al – średnica 10 mm szara	P 522	6-001255-0000
30	Rura korbki Al – średnica 13 mm anodowana	P 521	6-001254-0000
40	Uchwyt korbki – uniwersalny szary	P 053/1	6-006683-7045
50	Pierścień zabezpieczający z czopem 13 mm szary	P 057/13	6-006468-7035
51	Pierścień zabezpieczający z czopem 15 mm szary	P 057/15	6-006467-7035
60	Przegub krzyżowy korbki 13 mm	ZP0009	6-009181-0000
70	Kołek sprężynowy 4x22 Din 1481	P 055/1	6-004581-0000

**SCREEN ZIP, ZIP ECONOMY, GW, LITE**

Obsługa Silnik

**30, 101 - 803, 2501 - 2601**

MOTOR



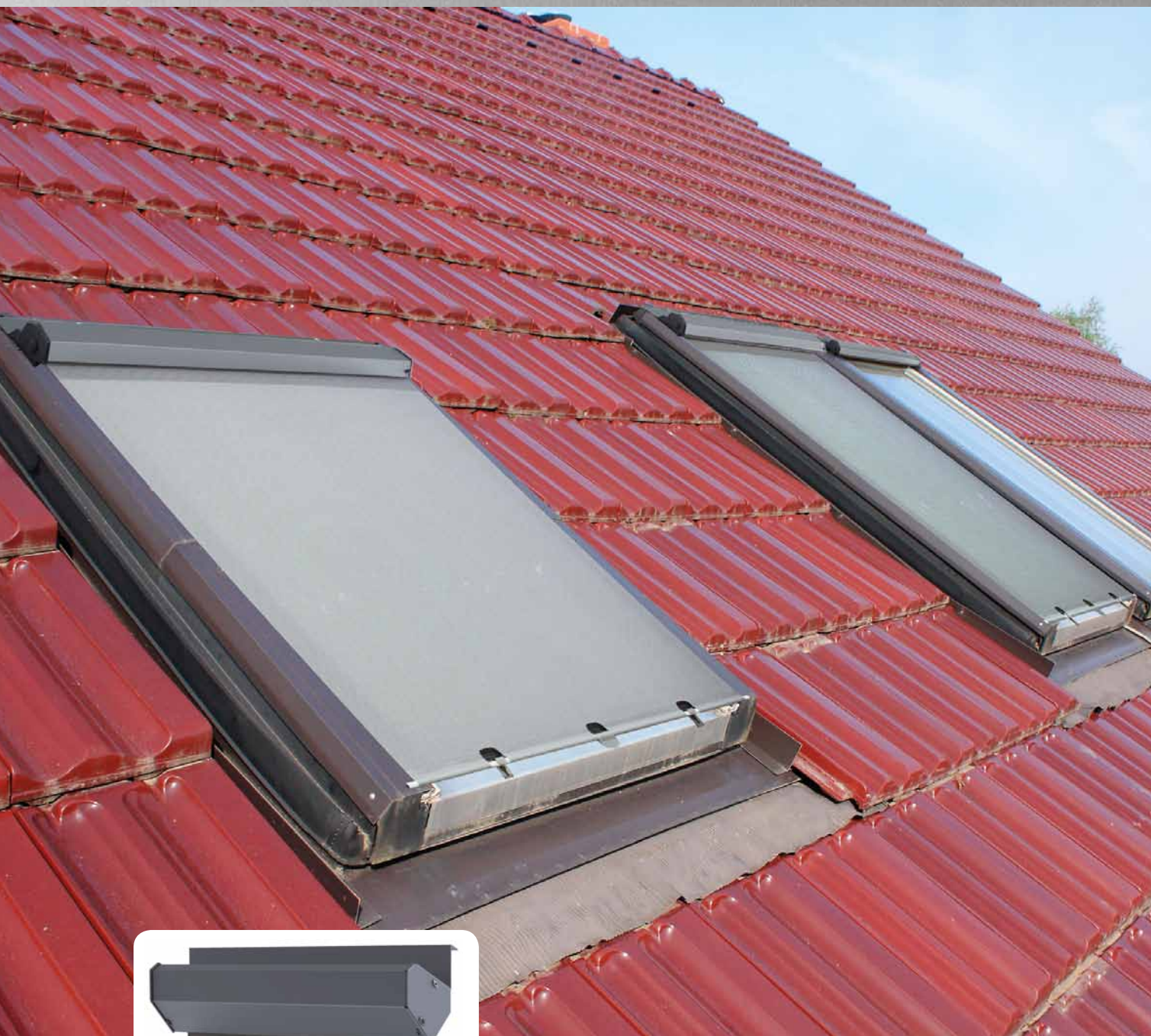
SilnikY-SCREEN 2-00530-XXXX-2

pozycja	nazwa pozycji	Nazwa handlowa	numer rysunku
1	Silnik ALTUS 50 RTS 06/17	MR 091/06	6-011170-0006
102	Silnik ALTUS 50 RTS 10/17	MR 091/10	6-011170-0010
103	Silnik ALTUS 50 RTS 15/17	MR 091/15	6-011170-0015
201	Silnik Sunea 50 Screen io 06/17	ZP0084	6-012559-0617
202	Silnik Sunea 50 Screen io 10/17	ZP0085	6-012559-1017
203	Silnik Sunea 50 Screen io 15/17	ZP0086	6-012559-1517
301	Silnik MAESTRIA +50 IO 06/17 VVF5M	ZP0084/1	6-012538-0617
302	Silnik MAESTRIA +50 IO 10/17 VVF5M	ZP0085/1	6-012538-1017
303	Silnik MAESTRIA +50 IO 15/17 VVF5M	ZP0086/1	6-012538-1517
501	Silnik LT 50 - Ariane 6/17	PR0130	6-002630-0006
502	Silnik LT 50 - Jet 10/17	PR0128	6-002630-0010
503	Silnik LT 50 - Atlas 15/17	PR0126	6-002630-0015
701	Silnik Oximo WT50 6/17	PR0333	6-001532-0006
702	Silnik Oximo WT50 10/17	PR0334	6-001532-0010
703	Silnik Oximo WT50 15/17	PR0335	6-001532-0015
801	Silnik Oximo RTS50 6/17	PR0339	6-002615-0006
802	Silnik Oximo RTS50 10/17	PR0340	6-002615-0010
803	Silnik Oximo RTS50 15/17	PR0341	6-002615-0015
1011	Adapter silnika śr. 78 ZIP	ZP0039	3-03084-0000
1020	Uchwyt silnika	MRH 113	6-013871-0000
1040	Śruba imbus z łbem wpuszczonym M6x12 Zn DIN 7991	A 700/9	6-003511-0000
1041	Nakrętka M6 DIN 934, 8.8, Zn	A 710/2	6-003188-0005
1050	Zabierak LT50 do DS78	XY 00011	6-009120-0002
1051	Uchwyt silnika SCREEN	PR0352/1	3-02962-0000
1052	Śruba M5x16 Zn DIN 965-H, 4.8, łeb wpuszczony krzyżowy	A 700/10	6-003595-0000
1053	Śruba imbus z łbem wpuszczonym M6x22 A2 DIN 7991		6-013675-0000
2501	Silnik LS 40 S4/16	PR0124	6-002624-0004
2601	Silnik Oximo S auto RTS 6/17	PR 0414	6-008040-0000
2901	Redukcja LS40/LT50	ZP0068	6-001594-0000
2911	Redukcja głowicy napędu LS40/LT50	ZP0069	6-001595-0000
2921	Adapter LT50 do DS78	XY 00010	6-009120-0001
2931	Przepust kabla plastikowy, czarny		6-017078-0000

**Silniki (Becker)** (6-015258 / 6-012538 / 6-002624 / 6-014483)

pozycja	nazwa pozycji	Nazwa handlowa	numer rysunku
30	Silnik BECKER 50 E 08/17	X.2010/1301590	6-017861-0008
30	Silnik BECKER 50 E 12/17	X.2010/1301600	6-017861-0012
30	Silnik BECKER 50 E 20/17	X.2010/1301450	6-017861-0020
500	Silnik BECKER 50 Screen C 08/17 PLUS	X.2010/1302170	6-018761-0008
500	Silnik BECKER 50 Screen C 12/17 PLUS	X.2010/1302180	6-018761-0012
500	Silnik BECKER 50 Screen C 20/17 PLUS	X.2020/1301860	6-018761-0020
500	Silnik BECKER 50 Screen C 30/17 PLUS	X.2020/1301890	6-018761-0030
500	Silnik BECKER 50 Screen C 40/17 PLUS	X.2020/1301920	6-018761-0040

\*Uwaga: E=mechaniczny (wyłącznik) / C=radiowy (pilot)

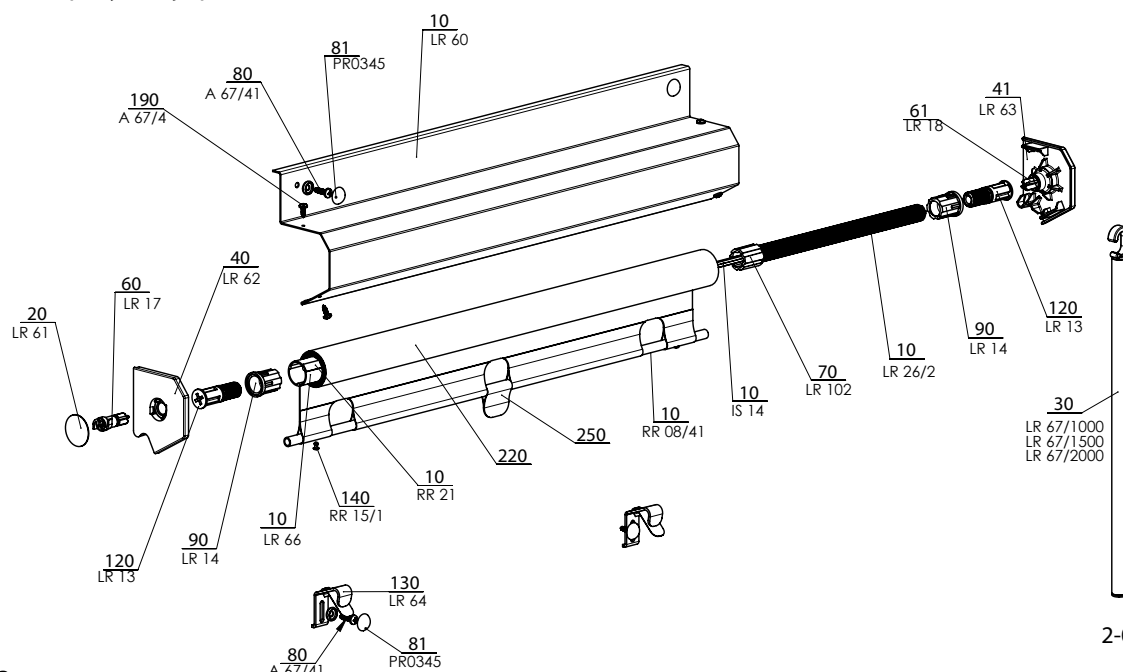


- ▲ Efektywna ochrona przed promieniowaniem świetlnym i ciepłym,
- ▲ ochrona przed czynnikami atmosferycznymi i hałasem z zewnątrz,
- ▲ pełna funkcjonalność w dowolnej pozycji skrzydła okna,
- ▲ bogaty wybór materiałów z różnym stopniem przepuszczalności światła,
- ▲ Klasa odporności na wiatr 2.

**ISOTRA** *Quality*

## SCREEN SKY

### Podstawowa specyfikacja produktu



### Obsługa

Ręczny - służy do opuszczania i podnoszenia dachowej rolety ekranowej

### Specyfikacja

	Profil kryjący	Walek nawijający	Montaż
Nazwa handlowa	LR 60	RR 15/1	na obłachowanie górnej ramy okna dachowego
Wymiar (mm)		Ø 22 mm	
Materiał	Al	Al	
Kolor	RAL 9006 jasno srebrny RAL 9007 ciemno srebrny RAL 9010 biały RAL 7016 antracytowo szary pozostałe RAL 7016S antracytowo szara struktura RAL 8014 brązowy pozostałe kolory RAL na życzenie*	Szary	

\*oprócz części plastikowych.

Nietypowych wariantów nie produkujemy.

### Standardowe wymiary

Wersja	Szerokość (mm)		Wysokość (mm)		Gwarantowana powierzchnia (m <sup>2</sup> )
	min.	maks.	min.	maks.	
madlo	400	1200	500	1600	1,9

### Uwaga:

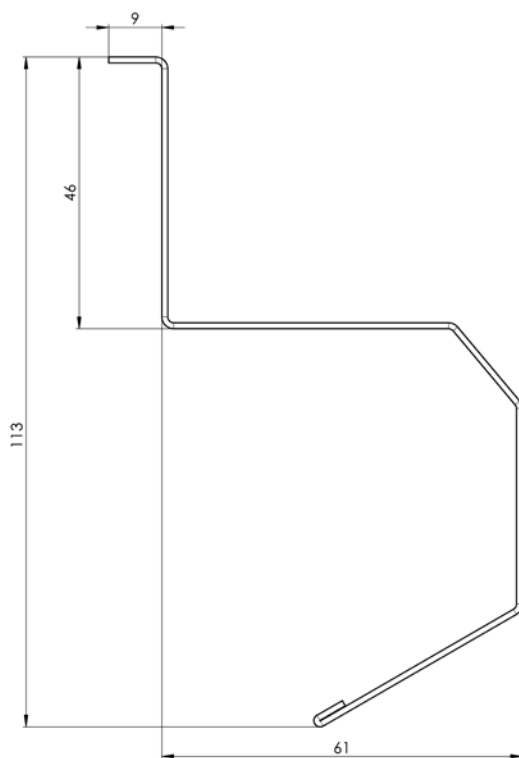
Warstwa nieprzepuszczająca światła do dachowego typu rolety ekranowej jest zawsze na stronie nasłonecznionej. W przypadku montażu na zewnątrz silny wiatr może powodować nieznaczne podnoszenie dolnego profilu i materiału. Dolny profil lub cięgiło po zaciągnięciu rolety są zabezpieczone haczykami.

### Normalne zjawiska związane z tkaninami technicznymi

W okolicy zgrzewu lub pośrodku tkaniny może dojść do sfałdowania materiału, tzw. efektu choinkowego. To zjawisko jest normalne, ponieważ podczas używania na materiał działają różne siły. Następnym zjawiskiem mogą być widoczne odciski od walca na materiale. Znikną one przy wyższej temperaturze, kiedy materiał wyrówna się.

## Screen Sky (2-01013-0000)

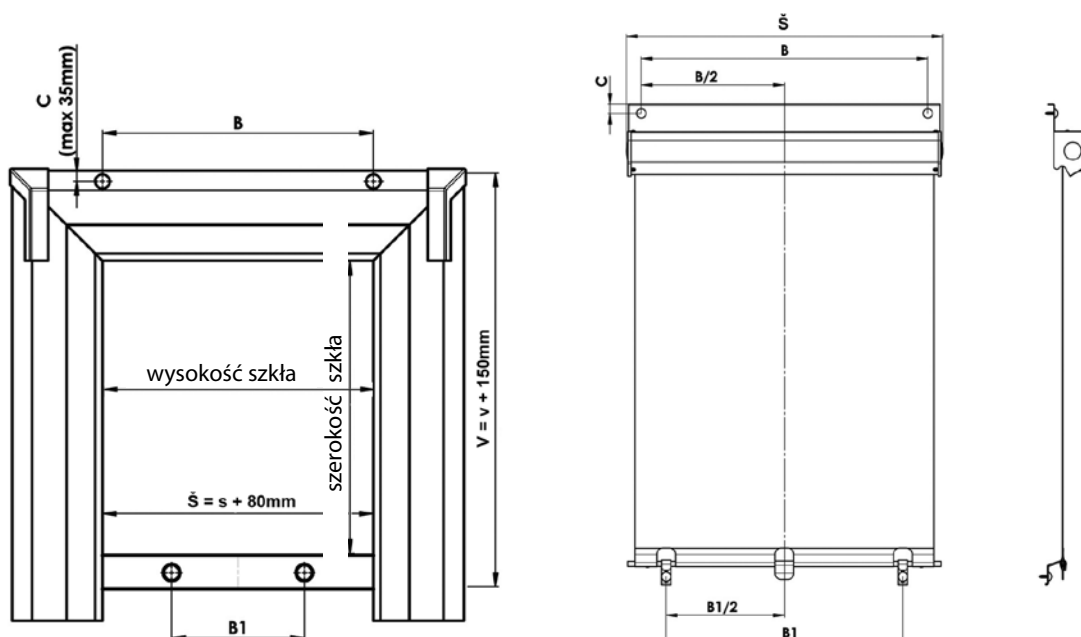
pozycja	nazwa pozycji	Nazwa handlowa	numer rysunku
<b>10</b>	<b>Profile dzielone- SCREEN- SKY</b>		<b>patrz Profile dzielone</b>
10/1	Pokrywa screen - S	LR 60	3-02443-0000
10/30	Rura (D/N) Al - anodowana	RR 08/41	6 011163-PU52
10/102	Sprężyna LEWA l=600/1,3	LR 26/2	7-301254-0000
10/110	Drut trójkąt	IS 14	7-300050-0000
10/120	Taśma samoprzylepna obustronna	RR 21	6-001310-0000
20	Pokrywa napinacza	LR 61 XXXX	3-02489-XXXX
30	Drażek do obsługi do Screen SKY - 1000 mm	LR 67/1000	2-01400-1000
30	Drażek do obsługi do Screen SKY - 1500 mm	LR 67/1500	2-01400-1500
30	Drażek do obsługi do Screen SKY - 2000 mm	LR 67/2000	2-01400-2000
40	Ściana boczna plast. P	LR 62 XXXX	3-02487-XXXX
41	Ściana boczna plast. L	LR 63 XXXX	3-02488-XXXX
60	Czop rolety - PRAWY	LR 17	3-00609-0000
61	Czop rolety - LEWY	LR 18	3-00610-0000
70	Śruba wewnętrzna	LR 102	3-01203-0000
80	Śruba samonacinająca ST 4,2x16	A 67/4	6-012661-0000
81	Ośłona śruby dwuczściowa PVC - czarna/brazowa/szara	PR0345/XX	6-002073-XXXX
90	Tuleja	LR 14	3-00650-0000
120	Czop sprężyny	LR 13	3-00608-0000
130	Haczyk	LR 64	7-302447-0000
140	Nit zrywany Al 4x6 DIN 7337 A	SC 142 0000	6-009908-0000
190	Wkręt 3,5x9,5, DIN 7504 M, Zn, z łbem półk. krzyż.	A 67/4	6-003096-0000
<b>220</b>	<b>Materiał screen</b>		<b>patrz wzornik SCREEN</b>
250	Cięgło SCREEN-S		3-02445-0000



BOX NA STŘEŠNÍ SCREEN 3-02443-XXXX-A



## ROLETA DACHOWA SCREEN SKY



### 1. WYMIERZENIE OKNA

Zaleca się mierzenie z zewnętrznej strony okna dachowego na samym oblachowaniu. Jeżeli okno posiada tabliczkę fabryczną, w formularzu zamówieniowym w uwadze można podać dokładną nazwę i typ okna dachowego dla sprawdzenia prawidłowości zmierzonych wartości.

**SZEROKOŚĆ I UMIESZCZENIE DOLNYCH HAKÓW ROLETY MIERZY SIĘ W NASTĘPUJĄCY SPOSÓB:**

#### Szerokość (SZ):

Mierzmy prześwit skrzydła okna (wymiar szyby  $s$ ) a do zmierzonej wartości zalecamy dodanie min. 80mm dla zakrycia.

**Całkowita zmierzona wartość (DZ) musi uwzględniać kształt i wielkość oblachowania mierzonego okna dachowego.**

Tak zmierzoną wartość zapisać do formularza zamówieniowego rolety.

Szerokość rolety produkujemy z dokładnością do milimetrów od szerokości 400 mm do szerokości 1200 mm.

**Uwaga Szerokość materiału (rzeczywista zaciemniona powierzchnia) jest o 22 mm mniejsza niż całkowita zmierzona wartość rolety.**

Jeżeli okno dachowe w miejscu umocowania górnej kasety posiada wkręty zabezpieczające przez oblachowanie, zmierzyc rozstaw tych wkrętów ( $B$ ) i odległość od górnej krawędzi ( $C$ ). Jeżeli okno dachowe nie posiada tych krętów, tej informacji nie podaje się.

Wymiary poza podanymi limitami trzeba konsultować z producentem.

#### Wysokość:

Mierzmy prześwit skrzydła okna (wymiar szyby  $W$ ) a do zmierzonej wartości zalecamy dodanie min. 150mm dla zakrycia.

**Całkowita zmierzona wartość (W) musi uwzględniać kształt i wielkość oblachowania mierzonego okna dachowego.**

Maksymalna wysokość zaciemnienia wynosi 1600 mm.

Wymiary poza podanymi limitami trzeba konsultować z producentem.

#### Umieszczenie dolnych haków:

Jeżeli okno dachowe w dolnej części skrzydła posiada wkręty zabezpieczające przez oblachowanie, zmierzyc rozstaw tych wkrętów ( $B1$ ).

Jeżeli okno dachowe nie posiada tych krętów, tej informacji nie podaje się i zostanie przydzielona podczas produkcji rolety.

**Uwaga: Jeżeli okno dachowe w dolnej części posiada wkręty zabezpieczające, zawsze należy podać rozstaw tych wkrętów!**

### W FORMULARZU ZAMÓWIENIOWYM TRZEBA PODAĆ:

1. wszystkie zalecane wymiary
2. kolor i wybrany typ materiału
3. Nazwę + typ okna + numer identyfikacyjny okna (do uwagi formularza zam.)

## 2. Montaż

Montaż przeprowadzać wyłącznie według niniejszej instrukcji aby uniknąć niepotrzebnych błędów montażowych, ewentualnie innych nieprzyjemności.

### NARZĘDZIA DO MONTAŻU:

- wiertarka akumulatorowa
- śrubokręt krzyżowy PH 2
- nóż, nożyce, szczypce

### Kontrola:

- przed montażem zalecamy przeprowadzenie kontroli wszystkich dostarczonych części, aby uniknąć możliwych problemów. Ewentualne wady, ew. uwagi dotyczące montażu lub samej żaluzji należy przekazać producentowi.
- usunąć wszystkie przeszkody z okna dachowego, które mogłyby przeszkadzać w montażu.

### WŁAŚCIWY MONTAŻ:

- otworzyć okno dachowe do takiej pozycji, aby można było przeprowadzać montaż z zewnątrz
- jeżeli okno dachowe posiada śruby zabezpieczające w miejscu umocowania górnej kasety rolety, te śruby zdemontować (jeżeli okno dachowe nie posiada śrub zabezpieczających, przejść do następnego punktu)
- przyłożyć górną kasetę rolety z zabezpieczeniem za górną krawędź obłachowania i wycentrować w osi okna
- przykręcić kasetę rolety przez plastikową podkładkę do górnego obłachowania ramy okna dostarczonymi śrubami (w przypadku typów okien z usuniętymi śrubami zabezpieczającymi użyć wyłącznie tych otworów i śrub do umocowania)
- na plastikowe podkładki elementów mocujących umieścić kapturki kryjące

### UMOCOWANIE DOLNYCH HAKÓW:

- jeżeli okno dachowe posiada śruby zabezpieczające w miejscu umocowania haków zabezpieczających, zdemontować te śruby
- jeżeli okno dachowe nie posiada śrub zabezpieczających, zmierzyć rozstaw otworów w dolnej części materiału rolety
- przenieść ten rozstaw na obłachowanie skrzydła w zależności od osi okna
- przykręcić haki przez plastikową podkładkę
- na plastikowe podkładki elementów mocujących umieścić kapturki kryjące

### DOKOŃCZENIE:

- Otworzyć okno dachowe do maksymalnej pozycji i dolny profil rolety zaczepić za zamontowane haki
- podczas zamykania okna roleta będzie się opuszczać automatycznie.
- Roleta jest gotowa do pomyślnego używania.





**ISOTRA a.s.**

Bílavecká 2411/1, 746 01 Opava

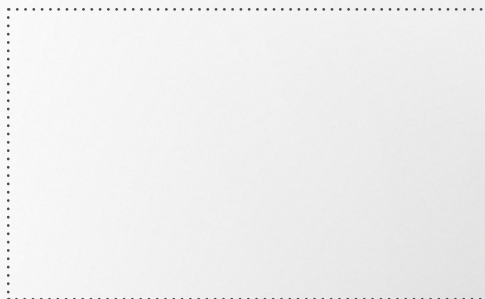
Tel.: **+420 553 685 111**

E-mail: [isotra@isotra.cz](mailto:isotra@isotra.cz)

**[www.isotra.pl](http://www.isotra.pl)**

Wydanie: 08/2024

**ISOTRA Partner**



*... chroni Twoją prywatność.*